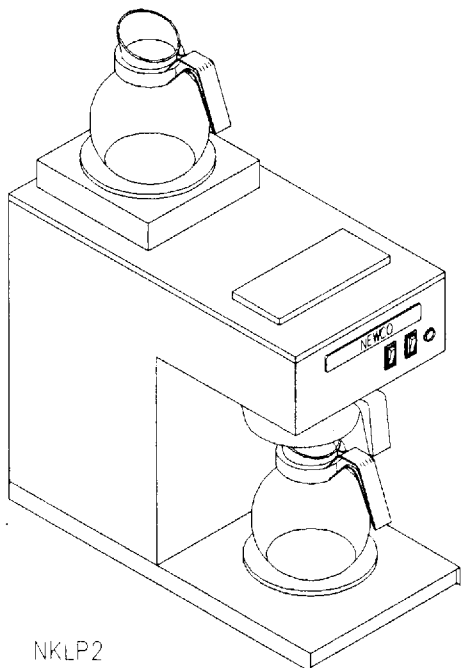
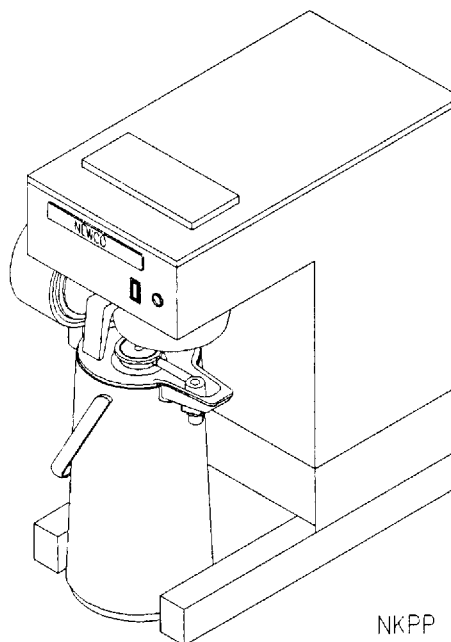


NEWCO ENTERPRISES

INSTALLATION, OPERATION, AND SERVICE MANUAL FOR NK SERIES POUR OVER BREWERS

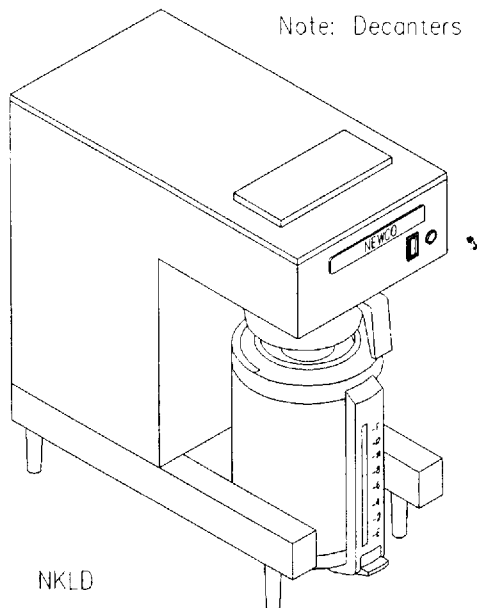


NKLP2

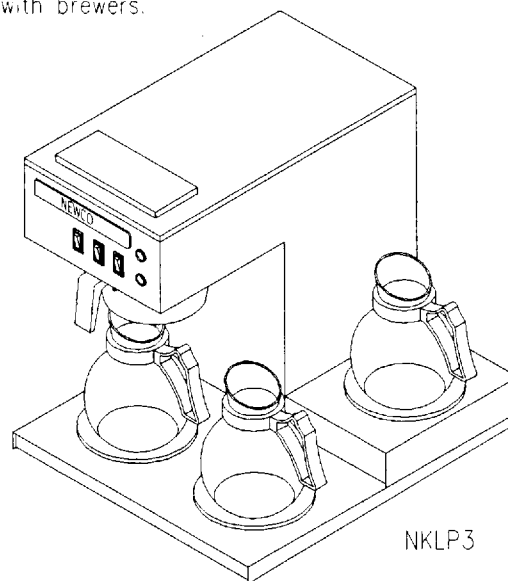


NKPP

Note: Decanters not included with brewers.



NKLD



NKLP3

Model	Warmers	Width	Length	Height	Weight	Watts	Amps
NKLP1	1	9-1/2"	18"	17"	30	1500	12.5
NKLP2	2	9-1/2"	18"	18-1/2"	31	1600	13.3
NKLP3	3	16-1/2"	18"	17"	40	1700	14.2
NKL3	3	9-1/2"	18"	18-1/2"	32	1700	14.2
NKLP4	4	16-1/2"	18"	18-1/2"	42	1800	15
NKLP5	5	16-1/2"	18"	18-1/2"	44	1750	14.6
NKPP	0	9-1/2"	18"	22"	32	1400	11.7
NKPD	0	9-1/2"	18"	26"	40	1400	11.7
NKLD	0	9-1/2"	18"	18-1/4"	30	1400	11.7

INSTALLATION INSTRUCTIONS

WARNING - Read and follow installation instructions before plugging or wiring in machine to electrical circuit. Warranty will be void if unit is connected to any voltage other than that listed on the name plate.

FILL BREWER TANK WITH WATER BEFORE CONNECTING TO POWER SUPPLY !

- 1) Place the decanter under brew basket, raise top evaporation cover and pour three decanters of water through the top pour-in screen. Water should come through the brew basket as the third decanter of water drains out of the pour in basin.
- 2) Brewer is shipped with thermostat turned on, (full clockwise position). Plug or wire in machine to 120 volt circuit.
- 3) Allow 10 to 15 minutes for water in tank to heat to brewing temperature. (Additional water may drip from brew basket on initial expansion of water in the tank). This will not occur thereafter.
- 4) After water has reached brewing temperature (thermostat will click off, heating noise will stop and green ready light will be on) pour 1 decanter (60 oz.) of water through pour-in screen. More than 1 decanter of water will flow into decanter below brew basket due to water expansion in the tank. Machine is now ready to use.
- 5) Pour 1 decanter of water through pour-in screen to check for the proper temperature setting with an accurate thermometer. Take the temperature of this water at a point below the brew basket opening, at the start of the brew cycle and when the decanter is half full. Recommended temperature of the water is approximately 195 F.
- 6) In higher altitude locations (5000 feet above sea level) the thermostat may have to be adjusted lower to prevent boiling.

COFFEE PREPARATION PROCEDURES

- 1) Place filter into brew basket.
- 2) Put the proper amount of coffee into the filter.
- 3) Slide the brew basket into holder.
- 4) Place the appropriate empty decanter into position below the brew basket. For airpots first open lid and remove pump stem. For other dispensers remove the lid unless it is of the brew thru design. Turn the lower warmer switch to the ON position.
- 5) Pour decanter of water through pour-in screen into pour in basin.
- 6) Hot water will be delivered through the sprayhead. This distributes the hot water evenly over the coffee bed within the brew basket. The coffee brew will drain from the brew basket into the decanter below.
- 7) The resultant coffee brew should be crystal clear and have the desired properties attainable through excellent extraction.
- 8) For models with warming plates turn off warmers when not in use. Red light in switch indicates when warmer is on.
- 9) To clean brew basket simply remove from brew rails and dump filter into waste basket. The brewing process, as described above, can now be started again.

LIMING

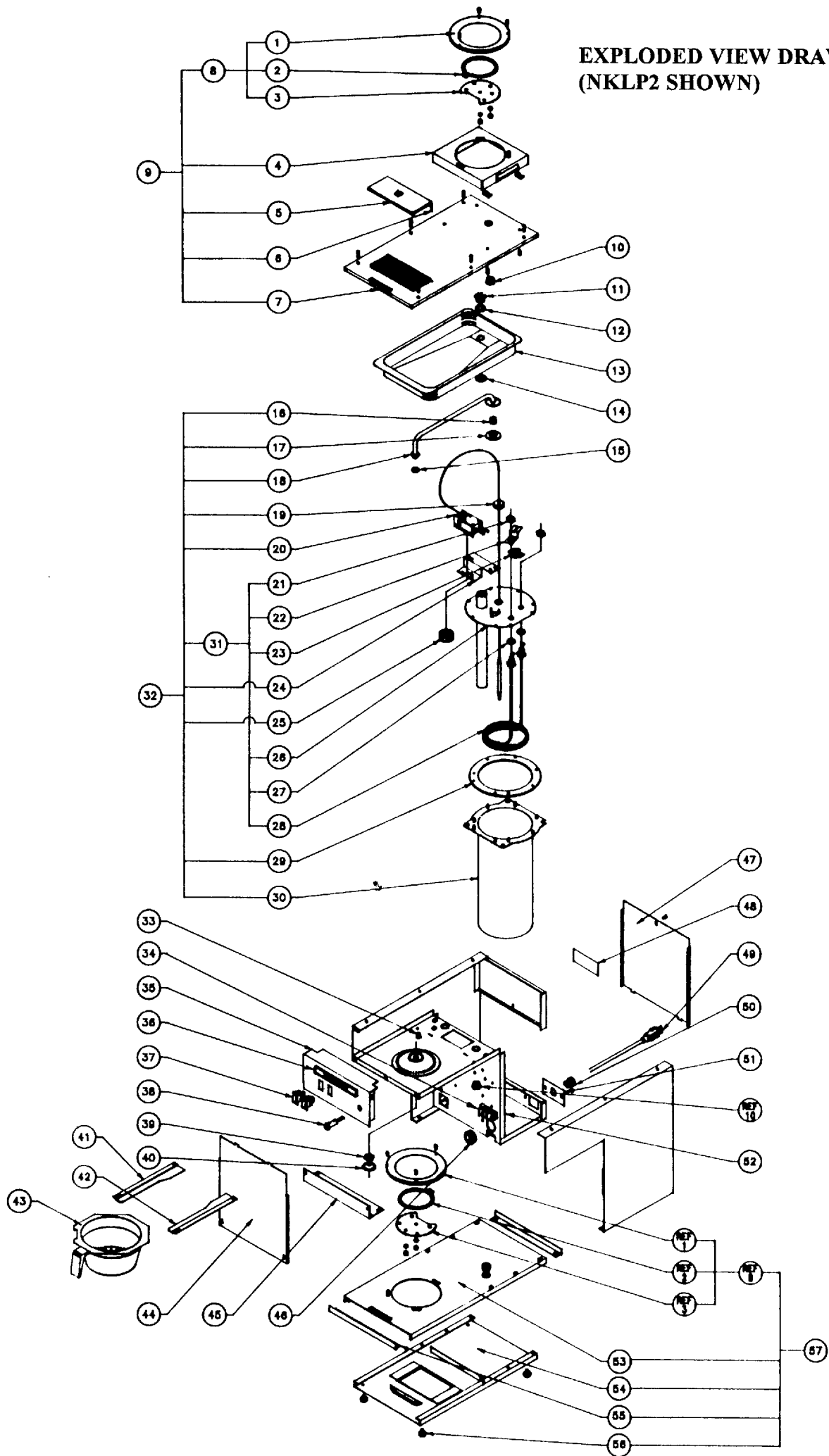
To prevent liming problems in tank fittings remove sprayhead and insert deliming spring all the way into the tank. When inserted into tank properly, no more than ten inches of the spring should be visible at the sprayhead fitting. Saw back and forth five or six times. This will keep fittings open and clear of lime. In hard water areas this should be done everyday. This process takes approximately one minute. In all areas the sprayhead should be cleaned at least once a week. Where bad liming has already occurred, a new complete tank assembly may be installed. The tank may be changed in approximately 5 minutes time.

NK SERIES POUR OVER BREWERS - PARTS LIST

Index	Part No	Description	Index	Part No	Description
1	100008	Plate, black porcelain	32	705403	NK pour over tank ass'y, 1700W 120V
1	100020	Plate, brown porcelain	32	705677	NK pour over tank ass'y, 2500W 240V
2	100642	Warming element, 220 V 100 W	32	705409	NK pour over tank ass'y, 3500W 240V
2	100187	Warming element, 120 V 100 W	33	100281	Plug, 3/8", plastic
3	100086	Support plate, warming element	34	100163	Terminal block, 120 V
4	705371	NK stove top, 1 station cover	34	511053	Terminal block, 240 V
4	705370	NK stove top, 2 station cover	35	705360*	Switch plate, NKLP1, NKPP, NKPD, NKLD
5	700198	Dust cover, front pour in	35	705203*	Switch plate, NKLP2
6	700186	Wire for dust cover	35	705205*	Switch plate, NKLP3, NKLP4, NKLP5
7	705413	NK 1 station cover, welded	36	100058	Nameplate, NEWCO
7	705419	NK 2 station cover, welded	37	100085	Rocker switch, ON/OFF, lighted
8	100010	Warming plate assembly, black, 100W 120V	38	705383	Ready light assembly, green
8	100032	Warming plate assembly, brown, 100W 120V	39	201173	Nut, sprayhead
8	101072	Warming plate assembly, black, 100W 220V	40	100024	Sprayhead, 5 hole
8	101073	Warming plate assembly, brown, 100W 220V	41	781031	Rail, LH
9	705414*	NK 1 station cover ass'y w/ pour in	42	781030	Rail, RH
9	705420*	NK 2 station cover ass'y w/ pour in	43	700117	Brew basket assembly, brown
9	705229	NK plain cover ass'y w/ pour in	43	700118	Brew basket assembly, black
10	100003	Snap bushing, 3/4, plastic	44	705210	NK front access panel
11	701200	Slotted hex nut, 3/4-16, brass	45	705224	Brace, access panel
12	700015	Washer, 1" OD x 3/4, S/S	46	705228	Snap bushing, 1-1/8", plastic
13	700060	Basin, pour in	47	705208	Rear panel
14	700016	Gasket, 1.062 OD X .578, silicone	48	100253	Label, caution, red
15	100025	Gasket, sprayhead	49	100022	Power cord, 14/3, 120V 15A
16	704223	Bushing, siphon cup	49	102126	Power cord, 12/3, 120V 20A
17	704222	Gasket, delivery tube, 3 hole	49	100072	Power cord, 10/4, 240V 30A
18	700069	Sprayhead tube assembly	50	101035	Strain relief, 120V 15A
19	100175	Grommet, thermostat, silicone	50	100547	Strain relief, 120V 20A
20	102299	Main thermostat, knob type	50	511054	Strain relief, 240V
21	100190	Jam nut, 1/2-20, brass	51	511005	Cord plate, 120V 15A
22	100143	Bracket, hi-limit thermostat	51	102126	Cord plate, 120V 20A
23	100174	Hi-limit thermostat	51	511007	Cord plate, 240V
24	705198	Bracket, main thermostat	52	705197	Cabinet shell ass'y, S/S
25	100043	Thermostat knob	53	700758	Base top, 1-station
26	705214	NK pour over tank lid, welded	53	704115	Base top, 3 station
27	100409	Gasket, tank fitting, brass	54	700760	Base bottom, 1 station, welded
28	701170-10	Main Element, 1400W 120V	54	704121	Base bottom, 3 station, welded
28	704155-10	Main Element, 1700W 120V	55	700759*	Base trim plate, S/S
28	704144-10	Main Element, 2500W 240V	56	100078	Bumper foot w/ screw
28	202027-10	Main Element, 3500W 240V	57	781245	Base ass'y, NKPD
29	704221	Gasket, tank, silicone	57	781010	Base ass'y, NKPP
30	704119	Tank only	57	705209*	Base ass'y, 3 station, NKLP-3, -4
31	705199	NK pour over tank lid ass'y 1400W 120V	57	705345*	Base ass'y, NKLP5
31	705399	NK pour over tank lid ass'y 1700W 120V	57	705382*	Base ass'y, 1 station, NKLP-1, -2, NKL-3
31	705678	NK pour over tank lid ass'y 2500W 240V		152111	Leg, RH NKLD
31	705406	NK pour over tank lid ass'y 3500W 240V		152112	Leg, LH NKLD
32	705216	NK pour over tank ass'y, 1400W 120V			

*When ordering these parts please specify if replacement parts are for a black or woodgrain finish brewer.

EXPLODED VIEW DRAWING
(NKLP2 SHOWN)



COMPONENT REPLACEMENT INSTRUCTIONS

CAUTION: DISCONNECT BREWER CORD FROM ELECTRICAL OUTLET BEFORE REMOVAL OF ANY PANEL OR REPLACEMENT OF ANY COMPONENT!

NOTE: IN CANADA REPAIRS ARE TO BE DONE BY CERTIFIED ELECTRICIAN OR BREWER MUST BE REINSPECTED TO MAINTAIN APPLICABLE CERTIFICATION

These steps apply to replacement of tank, tank heater, and hi-limit or main thermostat.

1. Remove sprayhead and sprayhead nut by unscrewing in counter clockwise direction.
2. Remove brewer lid. Disconnect electrical connectors from upper warmer plate if applicable.
3. Remove pour in basin assembly (receiving pan).
4. Disconnect electrical terminals connected to tank element. Disconnect black lead from main thermostat.
5. Lift tank completely out of brewer.

TANK ASSEMBLY, POUR OVER

6. To install new tank ass'y, reverse steps 5 through 1 above.

THERMOSTAT, HI-LIMIT

1. Disconnect wires to hi-limit thermostat.
2. Lift retaining spring slightly to remove old hi-limit thermostat.
3. Check continuity of the new hi-limit thermostat before installing.
4. Slide new hi-limit thermostat into place under the retaining spring. Reconnect wire leads.
5. Make sure the hi-limit thermostat is securely mounted & that all electrical connections are tight and isolated.

THERMOSTAT, MAIN

1. Remove two screws which secure thermostat to bracket.
2. Remove grommet from top of tank lid by pressing up with thumb. Pull capillary bulb out through hole.
3. Disconnect thermostat wires.
4. Installation is reverse of removal.

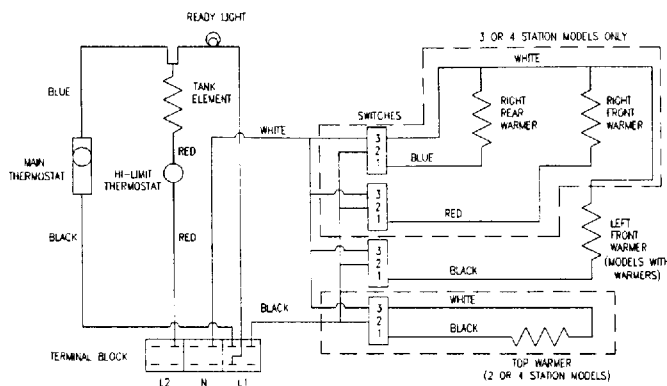
ELEMENT, TANK HEATING

1. Remove the 8 tank lid retaining nuts. Lift tank lid assembly out of tank.
2. Disconnect wire leads from the tank element.
3. Remove the 2 brass nuts, on top side of tank lid, from tank element. Remove element.
4. Install the new tank heating element, washers, and nuts. Tighten securely to insure proper sealing.
5. Inspect tank lid gasket and replace if necessary.
6. Assemble by reversing steps 2 through 1.

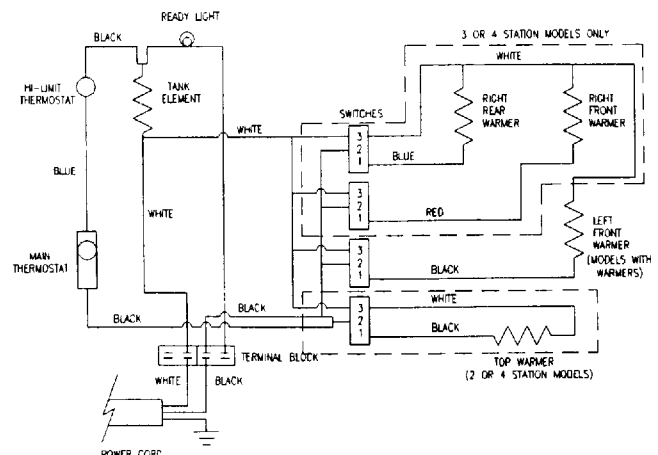
WARMER ELEMENT

1. Remove retaining screws from warmer plate.
2. Lift plate and disconnect leads.
3. Remove nuts and washers holding retaining plate and warmer element to plate.
4. Installation is reverse of removal.

WIRING DIAGRAMS



NK Pourover - 120/240 V



NK Pourover - 120 or 240 V

TROUBLE SHOOTING GUIDE

SYMPTOM	POSSIBLE CAUSE	WHAT TO CHECK	REMEDY
NO HOT WATER	<ol style="list-style-type: none"> 1. Tank heater. 2. Hi-limit thermostat or main thermostat. 	<ol style="list-style-type: none"> 1. Check the voltage at the tank heater terminals. Voltage should be 120 V A.C. 2. Check the voltage between the white wire on the tank and the incoming terminal (blue wire) on the hi-limit thermostat, then the outgoing terminal (black wire) on the hi-limit thermostat. 	<ol style="list-style-type: none"> 1. (A) If correct voltage is present at the tank heater terminals and water in tank is not being heated, replace the tank heater. (B) If voltage is not present at the tank heater terminals refer, to step 2. (C) If incorrect voltage is present at the tank heater terminals, check voltage at outlet. 2. (A) If voltage is present on the incoming terminal of the hi-limit thermostat, but not on the outgoing terminal, replace the hi-limit thermostat. (B) Check voltage between black and white wire on the receptacle. If voltage is not present check outlet or circuit breaker. (C) If voltage is not present on the incoming terminal of the hi-limit thermostat, replace the main thermostat.
STEAMING OR SPITTING AROUND FUNNEL	<ol style="list-style-type: none"> 1. Main thermostat. 2. High altitude. 	<ol style="list-style-type: none"> 1. Thermostat points stuck or out of calibration. 2. Located above 5,000 feet. 	<ol style="list-style-type: none"> 1. (A) Adjust thermostat. (B) Thermostat should be calibrated or replaced. 2. See installation instructions.
DRIPPING	<ol style="list-style-type: none"> 1. Not siphoning properly. 	<ol style="list-style-type: none"> 1. Water should flow freely from the sprayhead. 	<ol style="list-style-type: none"> 1. (A) Clean sprayhead holes. (B) Check tightness of sprayhead tube. (C) See "LIMING" , Page 2.
DRY COFFEE REMAINING IN BREW BASKET AFTER BREWING	<ol style="list-style-type: none"> 1. Filters. 2. Not siphoning properly. 3. Improper loading of the brew basket. 	<ol style="list-style-type: none"> 1. Are correct filters being used. 2. Refer to "DRIPPING", Step 1. 3. Filter and coffee in brew basket. 	<ol style="list-style-type: none"> 1. Insert correct filter. 2. Refer to "DRIPPING", Step 1. 3. Filter should be centered in the brew basket and coffee bed should be level.
OVER FLOWING	<ol style="list-style-type: none"> 1. Receiving decanter not completely empty at the start of the brew cycle. 2. Not siphoning properly. 	<ol style="list-style-type: none"> 1. Operating instructions. 2. Refer to "DRIPPING", Step 1. 	<ol style="list-style-type: none"> 1. Always start brew cycle with receiving decanter empty. 2. Refer to "DRIPPING", Step 1.
COLD WARMER STATION (Models with warmers)	<ol style="list-style-type: none"> 1. Warmer - defective. 2. Warmer ON/OFF Switch. 3. Bad harness. 	<ol style="list-style-type: none"> 1. Voltage at warmer terminals should be 120 V A.C. 2. If voltage is not present on warmer terminals, check continuity of switch. 3. Check connections between harness and switch, and between switch and warmer. 	<ol style="list-style-type: none"> 1. If voltage is present on terminals, but warmer will not heat, replace warmer. 2. If switch does not make and break continuity when turned off, replace switch. 3. All connections should be tight.

WARRANTY

Newco coffee brewers are warranted against defects in workmanship or materials, under normal use, for 90 days from the date of purchase. Brewer parts are warranted against defect for 12 months from date of purchase.

Liability in all events is limited to the purchase price paid and liability under the aforesaid warranty is limited to replacing or repairing any part or parts which are defective in material or workmanship, and returned to our factory, shipping cost prepaid. No warranty expressed or implied, other than the aforesaid is made or authorized by Newco Enterprises, Inc.

Prompt disposition will be made if item proves to be defective, within warranty. Before returning any item, write or call Newco, or the dealer from whom the product was purchased, giving model number, serial number, and date of purchase, and describe the nature of the defect. If damage was incurred during transit to you, file claim with the carrier.

Newco Enterprises, Inc. * 1735 S. River Rd. * P.O. Box 852 * St. Charles, MO 63302