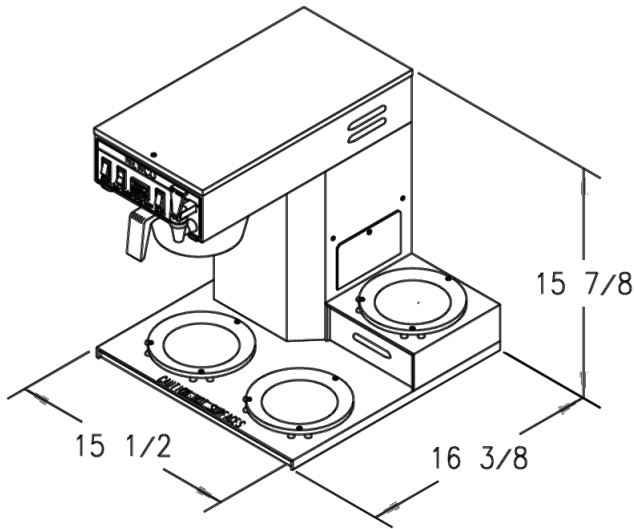




INTELLI-BREW SERIES IA-LP

The Ace Intelli-Brew series combines the benefits of an environmentally sound brewer with the advanced brewing features of a gourmet coffee shop system. The (ACE) Intelli-Brew is just what it sounds like, an intelligent ACE brewer. The IA is a smart, energy-conserving brewer that can power down when not in use – saving energy dollars. The IA series includes heater override, auto power save mode, tank protection and auto arm.





STYLE: *Automatic*
BREW OPERATIONS: *Analog / Digital timer*
HEATING SYSTEM: *Tank Reservoir*
WATER DELIVERY: *Displacement*
TANK SYSTEM: *Open*
VOLTAGE: *120V or 120V/240V Only*
CABINET: *Semi-Modular*
ENERGY SMART: *Yes*
FLOW REGULATION: *PDS*
BACKUP POUR IN: *No*
FAUCET: *Gravity*

AUTO-ARM:

Pre-checks water temperature before brewing to ensure optimum brew temperature.

VISA-BREW:

Flashing safety light brewing lamp alerts user that brew cycle is in process and to precede with caution.

PULSE BREWING:

Pulses your chosen water volume onto the coffee bed for ultimate taste profile accuracy.

HEATER OVER-RIDE:

Thermostat turns heating elements on the same moment a brew cycle is initiated, providing better brewing temperatures and reduced recovery time.

ENERGY SAVINGS:

Conserves energy when brewer is not in use.

POWER SAVE/POWER DOWN:

Reduces the number of times the brewer cycles which prolongs life of componets.

ENERGY SAVINGS:

Conserves energy when brewer is not in use.

PDS:

Flow control that's positively reliable and reduces brewer fill noise. The Positive Displacement System (PDS) is a flow control that is accurate over a wide range of water pressures while maintaining it's volume setting for many years in the harsh water environment that brewing equipment must operate.

Item #	Model	H	W	D	Ship Wt.	Volts	Watts	Amps	Volts	Watts	Amps
108000-B	IA-LP	16.4	15.9	16.4	31	120	1700	14.2	120	1400	11.7