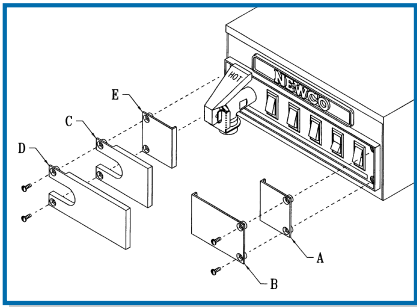


Standard access feature to cover up warmer switches, faucet or brew volumes as needed.

Cover	Function
A	Conceals Multi-Volume Selector Switch
B	Conceals Multi-Volume Selector Switch & Brew Start Switch
C	Conceals One Warmer Switch. (Upper Warmer)
D	Conceals Warmer Switches. (Both Upper Warmers).
E	Conceals Faucet Position when Faucet is removed.



SHOWN WITH 2.2 GALLON
THERMAL SATELLITE
#110675

STAND
#110660



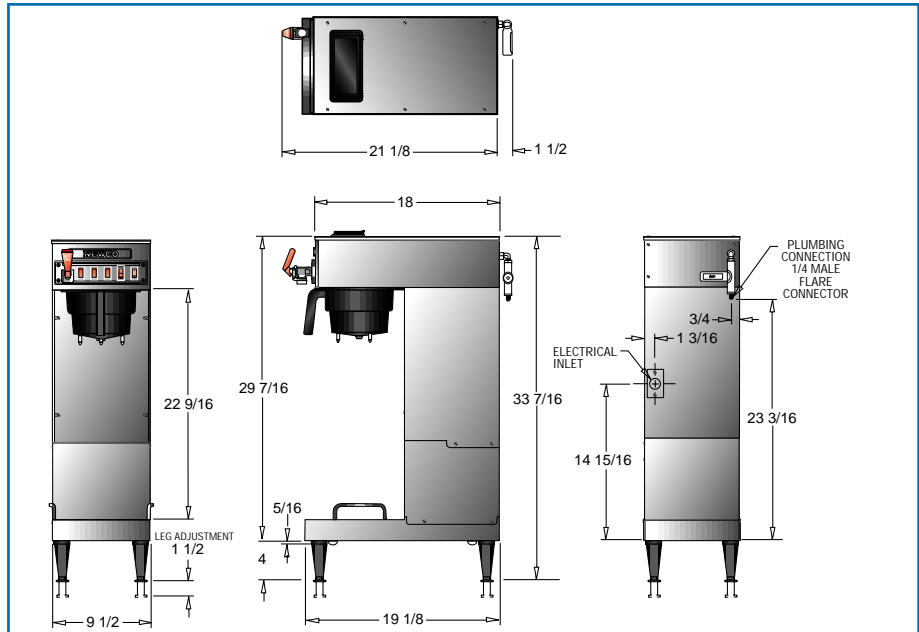
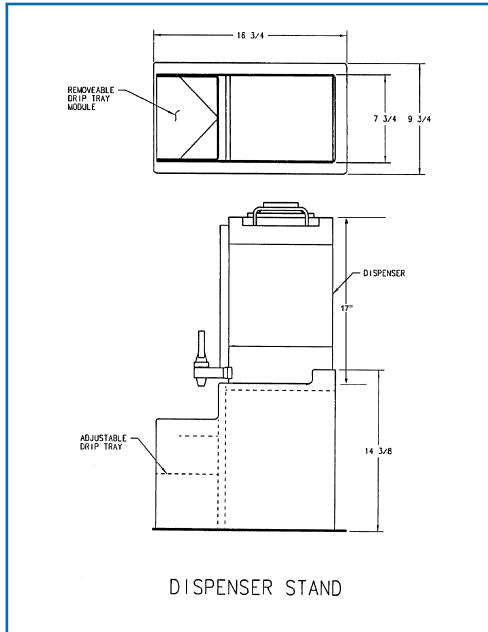
Model GXF-8D

SPECIFICATIONS:

BREWING VOLUME	1/2 GALLON-1 GALLON 120 VOLT/1 GALLON-2 GALLON 240 VOLT
BREWING CAPACITY	480 CUPS PER HOUR
WATER SUPPLY-COLD	10-100-PSI
BREWER SHIPPING CUBE	8.71 CU. FT
BREWER SHIPPING WEIGHT	51 LBS.
SATELLITE SHIPPING CUBE*	2.22 CU.FT.
SATELLITE SHIPPING WT.*	15 LBS.

GX MODEL WITH...	120 VOLT		240 VOLT	
	US	CANADA	US	CANADA
1 WARMER	12.5A/1495W	10.6A/1270W	23.9A/5620W	20.2A/4720W
2 WARMERS	13.3A/1595W	11.4A/1370W	24.8A/5720W	21A/4820W
3 WARMERS	14.1A/1695W	12.2A/1470W	25.6A/5820W	21.8A/4920W
NO WARMERS	11.5A/1375W	9.6A/1150W	22.9A/5500W	19.2A/4600W

*SATELLITE SOLD SEPARATELY



X-BREWER FEATURES & BENEFITS:

Dual Voltage: The costly process of stocking 120V and 240V brewers built in the same configuration can now be a thing of the past. With NEWCO's unique single element dual voltage tank system, a single brewer can now be kept in inventory. With the GX Series brewer, the power cord dictates the voltage. Wire a 240V or a 120V cord to the brewer and the unit is converted to the corresponding voltage. Changing tank elements and re-wiring machines to convert the voltage is no longer necessary. With the terminal block in the front of the machine and a special power cord "guide", converting between voltages has never been easier and less time consuming.

Auto-Arm: With water temperature playing such a vital role in the brewing of a great cup of coffee, NEWCO's "Auto-Arm" function ensures that the unit will always brew at the precise temperature. When a brew cycle is initiated, the control board verifies that the temperature in the tank is equal to the thermostat setting. If the temperature is ok, the brew cycle will begin. If the water is not at the proper temperature, the brew cycle is stored in memory and communicates that the brewer is "heating" via a heating lamp on the front of the machine. Once the temperature rises to the proper setting, the brewer will automatically begin to brew. You can count on brewing at the proper temperature every time for the best extraction possible.

Visa-Brew: The "Visa-Brew" function helps to communicate to the user that a brew cycle is in process. Once a brew cycle begins, a brewing lamp flashes for an adjustable period of time to help prevent the removal of a brewbasket or serving vessel prematurely.

PDS Valve: NEWCO's exclusive porcelain flow control valve ensures extremely accurate pot levels, brew after brew. The PDS valve works under extreme fluctuating water pressures (10 psi-110psi) and under harsh water conditions with exact consistency. By ensuring pot levels are accurate, your coffee profile will remain consistent and costly service calls will be eliminated.

Patented Modular Design: The GX brewing system is truly designed around the operation of your business. Current brewing systems today are single purpose in their design and are capable of only brewing into a single vessel (i.e. Glass bowl, Satellite, Thermal airpots). With the GX brewer's cabinet design, the unit can be easily changed to brew into virtually any vessel on the market, just by simply changing the base. The GX unit configured to brew into glass bowls today can be converted to brew into a different vessel tomorrow with a quick base change. This invaluable design helps to drastically reduce your annual equipment investment and ensures that the brewers will continually help to produce income for your business by staying where they belong, in the field. Single purpose brewers often sit idle on the shelf waiting for an account that justifies the particular style of equipment. When the particular style is not in inventory, new single purpose brewers are usually purchased to satisfy the customer's need. With the GX brewers in your inventory, the unit can be easily converted to brew into the vessel of your choice and allows your business to utilize its assets.

Versatile Faceplate Design: The GXF-8D brewer has the built in capability to brew two separate volumes (see above brewing volume). With the unit's unique faceplate design, the volume switch can either be hidden or revealed depending upon the vessel you choose to brew into. For example, when the GX brewer is configured to brew into satellites, the ability to brew 12-24-36 cups may want to be revealed. Removing the "A" faceplate simply reveals a multi-volume switch that allows the user to brew three separate volumes. In a glass bowl configuration, the multi-volume switch would be set to brew 12 cups and the plate "A" would conceal the multi-volume switch to avoid operator error.

The versatile faceplate design also allows the unit to be converted from glass bowl to thermal models and conceal the two warmer switches. In an airpot configuration faceplate "D" would be added to conceal the top warmer switches.