

ECONO SERVERS



Sight Gauge
3 Gallon

Sight Gauge
2 Gallon

Sight Gauge
1.5 Gallon

Sight Gauge
1 Gallon

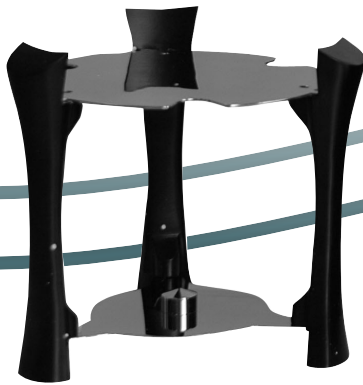
Newco's premium line of thermal servers are constructed of high quality stainless steel with an insulated faucet. The sight gauge provides an easy way to read volume, without the expense or problems of electronic indicators. Custom Econo's are available with Newco's State of the Art private labeling program.

Physical Dimensions

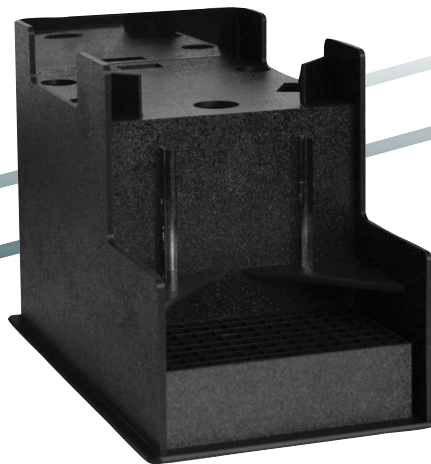


Item #	Model	H	Diameter	Case Count	Ship Wt.
109371	1.0 Econo	12.5	9.0	1	10.0
109372	1.5 Econo	14.5	9.0	1	11.0
109373	2.0 Econo	16.5	9.0	1	12.0
109374	3.0 Econo	20.8	9.0	1	13.0

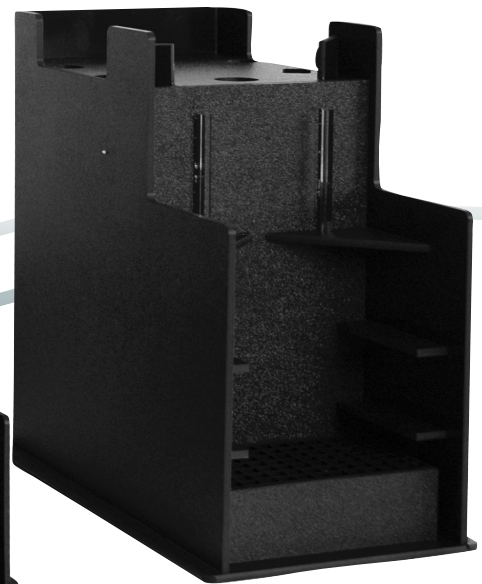
ECONO STANDS



Stand, Black Legs



Stand, 2 Gallon Short



Stand, 2 Gallon Tall



Physical Dimensions

Item #	Model	H	W	D	Case Count	Ship Wt.
111843	Stand, Black Legs	7.6	9.5	9.5	1	6
110660	Stand, 2 Gallon	15.3	9.0	15.8	1	9
110660-S	Stand, 2 Gallon Short	10.0	8.5	15.3	1	7