

# ACE-S

Newco designed the **ACE** series of brewers to satisfy customer requests for a multi-feature brewer suited for the office environment.

**ACE** models incorporate unique design features that include: a water level detection system that eliminates evaporation short pots, an adjustable brew safety light which flashes during the brew cycle to alert the user the brew cycle is in process, and a gravity hot water faucet system which dispenses hot water while brewing without altering the brew volume.

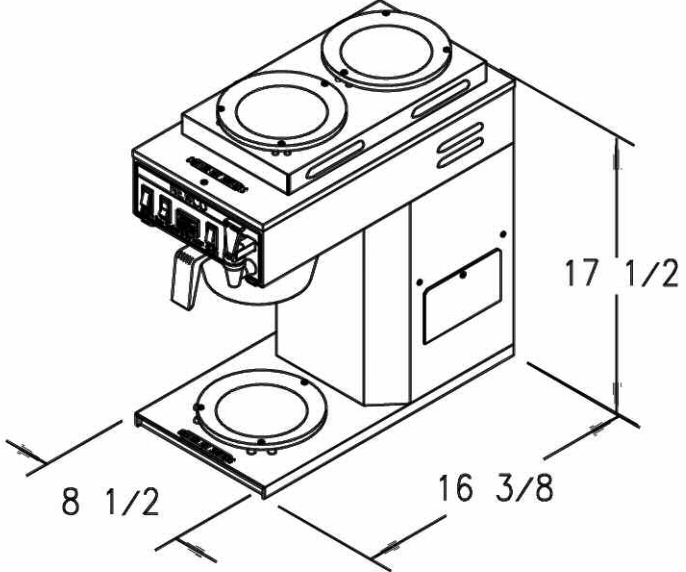
All the features are built into a stainless steel cabinet for long stability and durability.



Decanters not included

# ACE-S

- Ready light indicates optimum brew temperature
- Flashing brew light alerts user that coffee is brewing
- Universal base for perfect dispenser alignment
- Gravity fed hot water faucet for tea, soups and hot coco
- Tank "ON/OFF" switch for easy installation
- Pulse brewing option - when turned "on" allows pulsation of water over coffee grounds of coffee
- Auto arm capable. When activated locks out brew cycle until optimum temperature is achieved
- PDS Valve. The most accurate flow control on the market, eliminating service calls due to inconsistent pot levels



| Base Model  | Part Number | Volts | Amps        | Tank Wattage | Cubic Feet | Ship Weight | Cord Attached |
|-------------|-------------|-------|-------------|--------------|------------|-------------|---------------|
|             |             |       | USA/Can     | USA/Can      |            |             |               |
| Ace S w/PDS | 102773-B    | 120   | 14.17 11.67 | 1700w 1400w  | 5.16       | 29 lbs      | Yes           |

\*Cord not included on 240v models

**Electrical:** 120V models are 2 wires plus ground service rated 120V, single phase, 60Hz. 120/240 V models are 3 wires plus ground service rated 120/240 V, single phase, 60Hz

**Plumbing:** Water line should be 20-90 PSI and have a minimum flow rate of 1.5 GPM. Mechanical connection on brewer is 1/4" male flare connector.