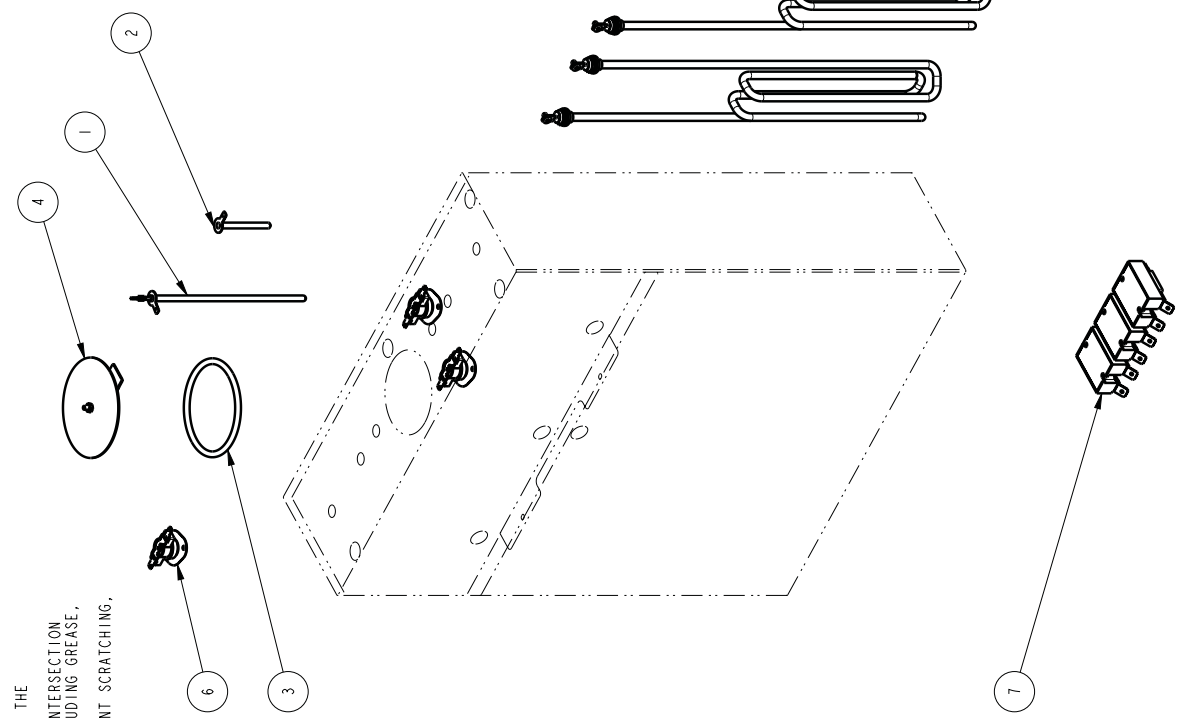


NOTES:

1. DRAWING TO BE INTERPRETED IN ACCORDANCE WITH THE CURRENT REVISION OF ASME Y14.5M.
2. TSI TO BE INTERPRETED AS THEORETICAL SHARP INTERSECTION.
3. PARTS SHALL BE FREE OF ALL CONTAMINANTS INCLUDING GREASE, DIRT, MACHINING OIL AND OTHER CONTAMINANTS.
4. PARTS SHALL BE PACKAGED IN A MANNER TO PREVENT SCRATCHING, BOWING OR OTHER DAMAGE DURING SHIPMENT.



REVISIONS			
REV	DATE	ECO NO	DESCRIPTION
A	11/25/2013	N/A	ORIGINAL
B	01/07/2014	N/A	ITEM 2 WAS 1112.00002.00, 2.25" LG. E.FORONDA

BY: **B**
E.FORONDA

ITEM NO	QTY	PART NO	DESCRIPTION
7	3	1052.00033.00	RELAY, SOLID STATE, 50A/480VAC, W/BUILD IN VARIATOR
6	3	1053.00003.00	THERMOSTAT, SINGLE SHOT, 240V/40A
5	3	1107.00005.00	HEATER ASSEMBLY, IMMERSION 3000W/240VAC
4	1	1102.00007.00	TANK COVER ASSEMBLY
3	1	1024.00007.00	O-RING, DASH #344, TANK COVER
2	1	1112.00019.00	PROBE WELDMENT, WATER LEVEL 2.600" LG
1	1	1102.00161.00	PROBE ASSEMBLY, TEMP. AND LIC. HWD-2100

B

FETCO
FOOD EQUIPMENT TECHNOLOGIES COMPANY
11125 172ND AVE, SUITE 100
MIDLAND, TX 79701
PHONE: (800) 338-2669 / (847) 719-3002 USA
E-MAIL: engineering@fetco.com www.fetco.com

DRAWING NAME:		DRAWING NO.:	
SERVICE PARTS, 3 X 3kW, CBS-2152 XTS TANK		11125/2013	
DRAWING BY: E.FORONDA		SCALE: 0.188	
APP'D BY: E.FORONDA		SHEETS: 1 of 1	
AG		REVISION: B	

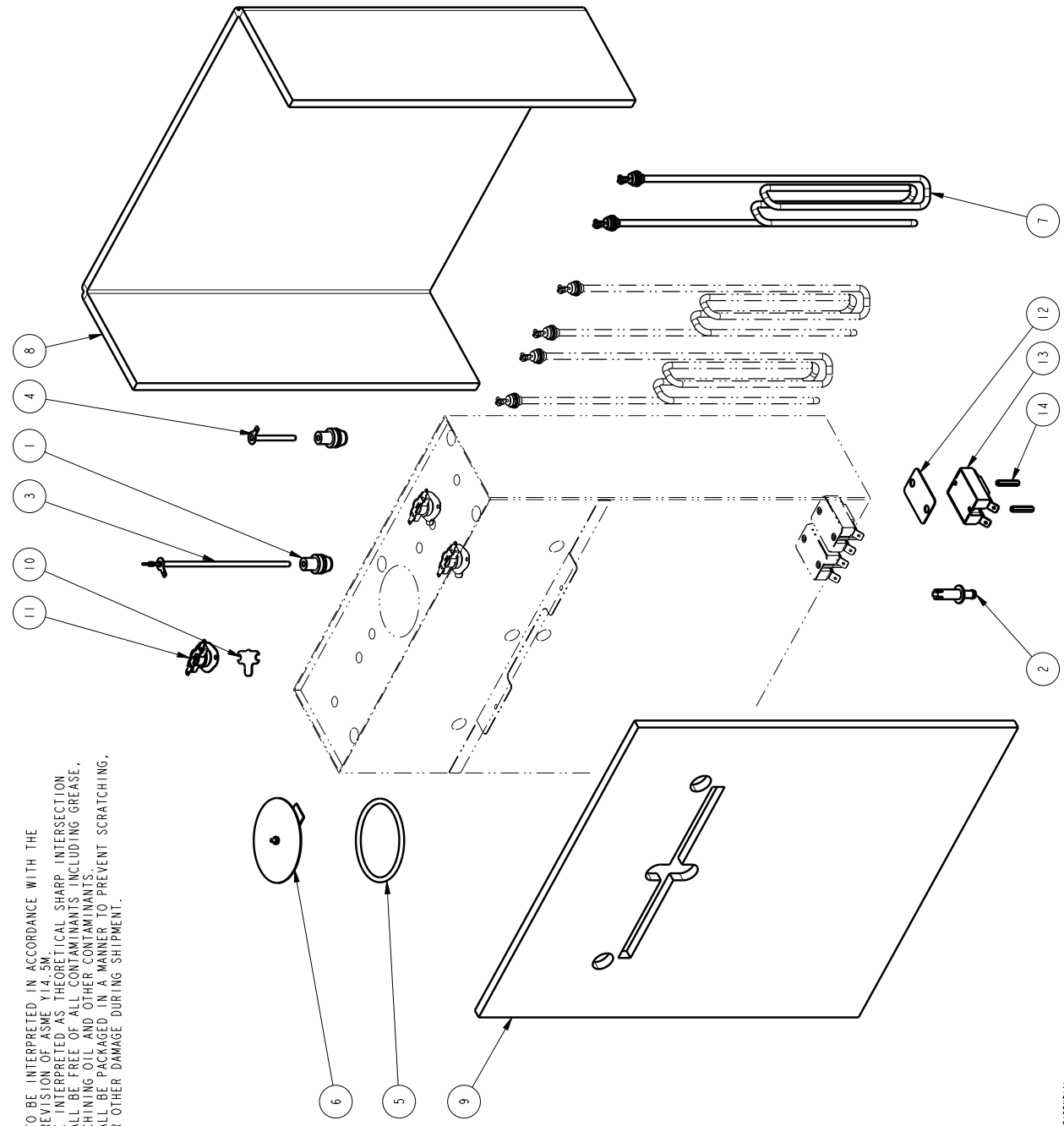
TOLERANCES UNLESS OTHERWISE SPECIFIED	
ALL DIMENSIONS IN INCHES	DATE: 11/25/2013
DECIMAL ± .005	SCALE: 0.188
ANGULAR ± 1/2°	SHEETS: 1 of 1
THREAD ANGLE	REVISION: B
WELD SYMBOL	FINISH: N/A
N/A	N/A

DWG. REF.: 1104.00062.00

PROPRIETARY AND CONFIDENTIAL. THE INFORMATION CONTAINED IN THIS DRAWING IS THE SOLE PROPERTY OF FETCO. ANY REPRODUCTION IN PART OR AS A WHOLE WITHOUT THE WRITTEN PERMISSION OF FETCO IS PROHIBITED.

NOTES:

1. DRAWING TO BE INTERPRETED IN ACCORDANCE WITH THE CURRENT REVISION OF ASME Y14.5M.
2. TSI TO BE INTERPRETED AS THEORETICAL SHARP INTERSECTION.
3. PARTS SHALL BE FREE OF ALL CONTAMINANTS INCLUDING GREASE, DIRT, MACHINING OIL AND OTHER CONTAMINANTS.
4. PARTS SHALL BE PACKAGED IN A MANNER TO PREVENT SCRATCHING, BOWING OR OTHER DAMAGE DURING SHIPMENT.



REV	DATE	ECO NO	DESCRIPTION
A	06/18/2014	N/A	ORIGINAL

BY: E.FORONDA

A

ITEM NO	QTY	PART NO	DESCRIPTION
14	6	1081.00042.00	STANDOFF, 1/4" HEX
13	3	1052.00033.00	RELAY, SOLID STATE, 50A/480VAC, W/BUILD IN VARISTOR
12	3	1003.00140.00	ALUMINUM BRACKET FOR SSR
11	3	1053.00003.00	THERMOSTAT, SINGLE SHOT, 240V/40A
10	3	1003.00005.00	BRACKET, ONE SHOT THERMOSTAT
9	1	1022.00070.00	INSULATION, TANK FRONT, CBS-2152
8	1	1022.00071.00	INSULATION, TANK BACK, CBS-2152
7	3	1107.00005.00	HEATER ASSEMBLY, IMMERSION 3000W/240VAC
6	1	1102.00007.00	TANK COVER ASSEMBLY
5	1	1024.00007.00	O-RING, DASH #344, TANK COVER
4	1	1112.00019.00	PROBE WELDMENT WATER LEVEL 2.600" LG
3	1	1102.00161.00	PROBE ASSEMBLY, TEMP. AND LLC, HWD-2100
2	1	1023.00166.00	FITTING, COLD WATER INLET, GROMMET DESIGN
1	2	1024.00053.00	LEVEL AND TEMP PROBE GROMMET

TOLERANCES
UNLESS OTHERWISE SPECIFIED

FETCO
FOOD EQUIPMENT TECHNOLOGIES COMPANY
10000 W. 10TH AVENUE, SUITE 100
DENVER, CO 80231
PHONE: (800) 338-2669 / (847) 719-3002 USA
E-MAIL: engineering@fetco.com www.fetco.com

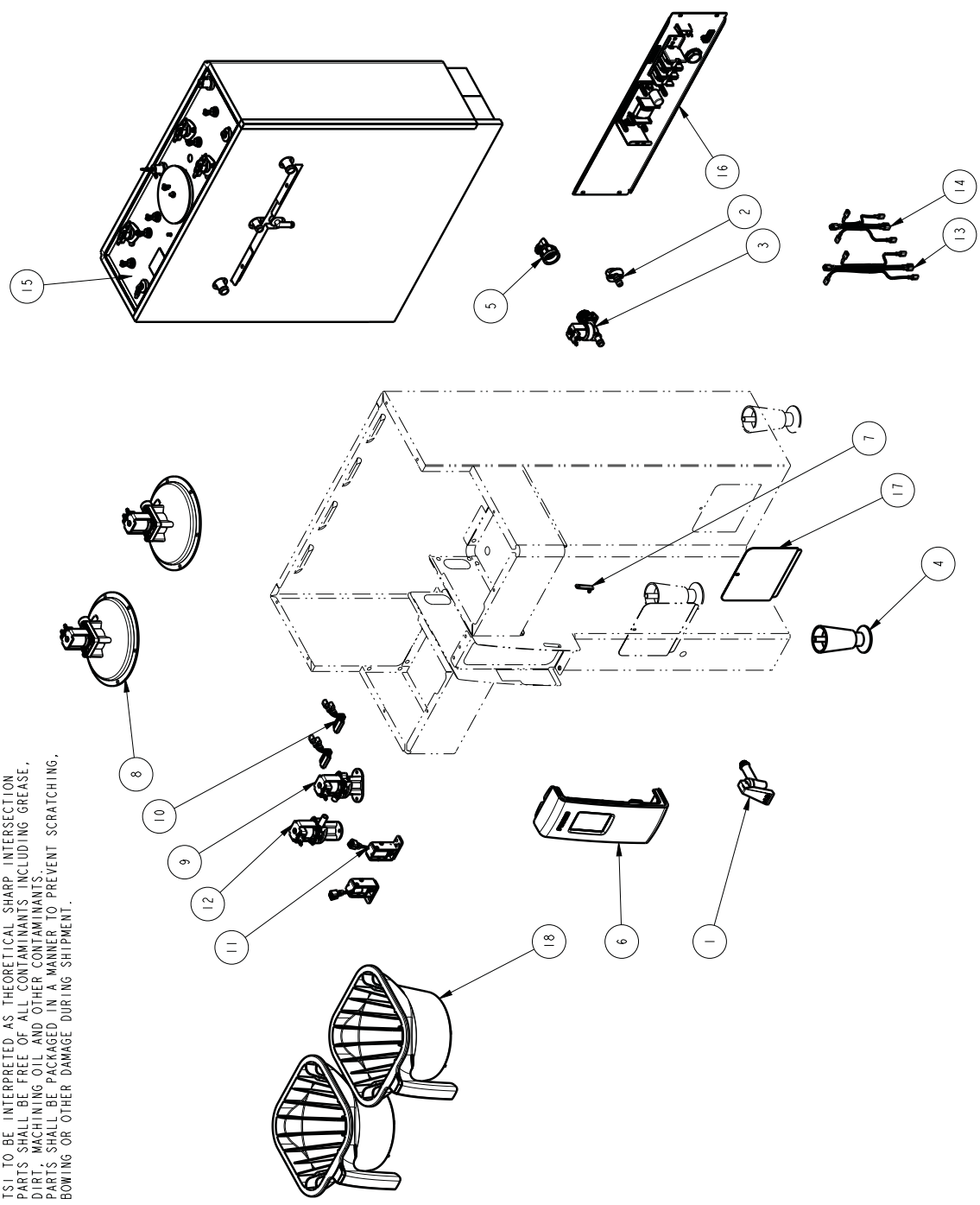
ALL DIMENSIONS IN INCHES

DRAWING NAME: SERVICE PARTS, 3 X 30KW, CBS-2152 XTS TANK
DRAWING NO: 1109.000075.00
DATE: 06/18/2014
SCALE: 1:1
CREATED BY: E.FORONDA
DRAWING BY: E.FORONDA
APP'D BY: AG
SHEETS: 1 of 1
REVISION: A

FINISH: N/A
MATERIAL: N/A

NOTES:

1. DRAWING TO BE INTERPRETED IN ACCORDANCE WITH THE CURRENT REVISION OF ASME Y14.5M.
2. TSI TO BE INTERPRETED AS THEORETICAL SHARP INTERSECTION.
3. PARTS SHALL BE FREE OF ALL CONTAMINANTS INCLUDING GREASE, DIRT, MACHINING OIL AND OTHER CONTAMINANTS.
4. PARTS SHALL BE PACKAGED IN A MANNER TO PREVENT SCRATCHING, BOWING OR OTHER DAMAGE DURING SHIPMENT.



REV ISIONS			
REV	DATE	ECO NO	DESCRIPTION
A	08/14/2014	N/A	ORIGINAL
			BY: E.FORONDA

A

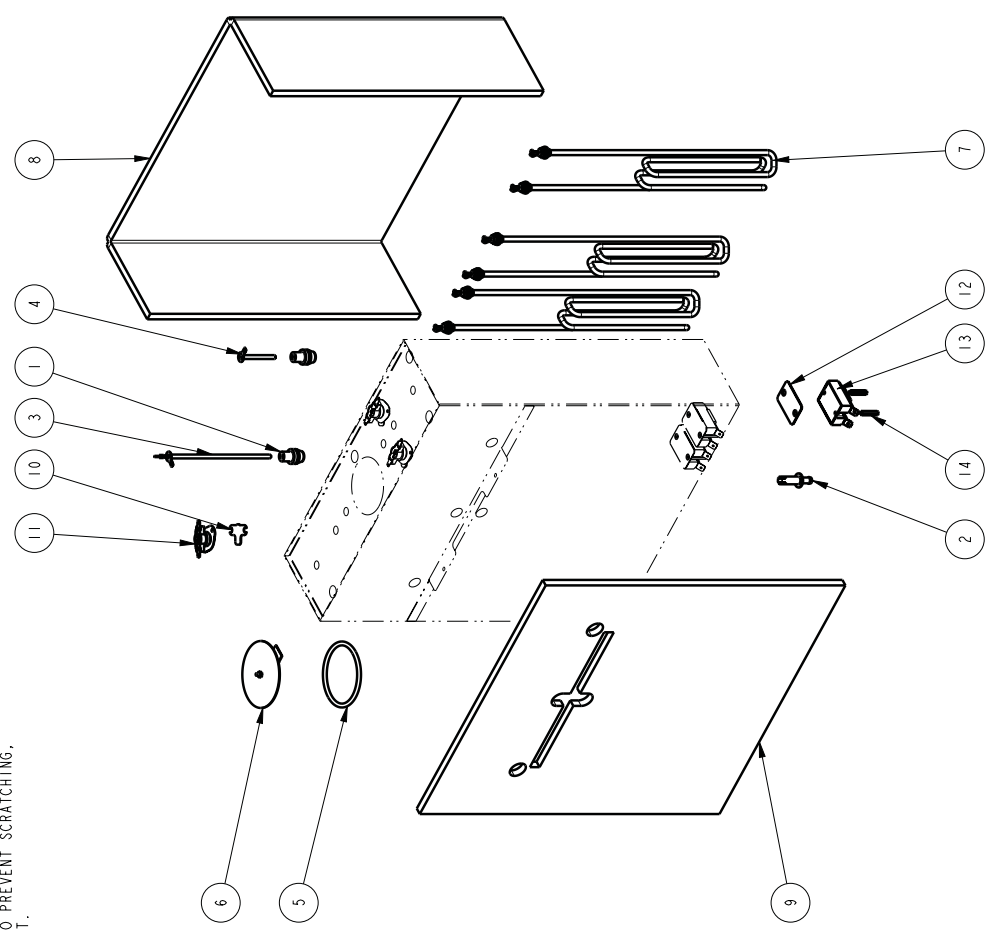
ITEM NO	QTY	PART NO	DESCRIPTION
18	2	B015280B42	BB ASSEMBLY, 16" x 6", Ø.280" HOLE
17	2	1001.00181.00	COVER FRONT, CBS-2100 XTS
16	1	1102.00229.00	ASSEMBLY BACK PANEL, CBS-2152
15	1	1104.00075.00	TANK ASSY, 3 X 4.04W/240VAC, CBS-2152 XTS
14	1	1402.00053.00	HARNES HIGH AMP, CBS-2152 XTS, UL
13	1	1402.00051.00	HARNES LOW AMP, CBS-2142/52 XTS, CE/UL
12	1	1102.00221.00	ASSEMBLY, BYPASS VALVE, LEFT
11	2	1102.00219.00	ASSEMBLY, BB LOCKER, 24VDC
10	2	1102.00113.00	SWITCH, REED, ASSEMBLY
9	1	1102.00220.00	ASSEMBLY, BYPASS VALVE, RIGHT
8	2	1102.00223.00	SPRAY HOUSING, LARGE, COMPLETE ASSEMBLY, 24 VDC
7	1	1024.00040.00	CARD PLUG, HWD-2100
6	1	1102.00210.00	ASSEMBLY FRONT PANEL, CBS-2130, GRAVITY VERSION
5	1	1102.00243.00	ADAPTER ASSY, 3/4" BSP x 1/4" NPT x 3/8" TUBE
4	3	1073.00007.00	LEG, FLANGE FOOT, 4" HIGH
3	1	1057.00043.00	SOLENOID VALVE, SINGLE, 180 DEG, 24VDC
2	1	1023.00147.00	PLUG, TANK SERVICE DRAIN FOR 18GA AND UP BODY
1	1	1071.00010.00	FAUCET HPSC-BR-8 REGULAR HANDLE

FETCO
FOOD EQUIPMENT TECHNOLOGIES COMPANY
 1000 W. 10th Street, Suite 100
 Phoenix, AZ 85001
 PHONE: (602) 338-2669 (847) 719-3002 USA
 E-MAIL: engineering@fetco.com www.fetco.com

DRAWING NAME: SERVICE PARTS, CBS-2152, 3 X 4KW/240VAC XTS
 DRAWING NO: 08/14/2014
 DATE: 08/14/2014
 DRAWING BY: E.FORONDA
 SCALE: 0.125
 SHEETS: 0.125
 APP'D BY: E.FORONDA
 AG
 I of 1
 SHEET NO: 1109.00065.00
 FINISH: N/A
 MATERIAL: N/A

NOTES:

1. DRAWING TO BE INTERPRETED IN ACCORDANCE WITH THE CURRENT REVISION OF ASME Y14.5M.
2. TSI TO BE INTERPRETED AS THEORETICAL SHARP INTERSECTION
3. PARTS SHALL BE FREE OF ALL CONTAMINANTS INCLUDING GREASE, DIRT, MACHINING OIL AND OTHER CONTAMINANTS.
4. PARTS SHALL BE PACKAGED IN A MANNER TO PREVENT SCRATCHING, BOWING OR OTHER DAMAGE DURING SHIPMENT.



REVISIONS			
REV	DATE	ECO NO	DESCRIPTION
A	06/17/2014	N/A	ORIGINAL

BY: E.FORONDA

A

ITEM NO	QTY	PART NO	DESCRIPTION
14	6	1081.00042.00	STANDOFF, 1/4" HEX
13	3	1052.00033.00	RELAY, SOLID STATE, 50A/480VAC, W/BUILD IN VARISTOR
12	3	1003.00140.00	ALUMINUM BRACKET FOR SSR
11	3	1053.00003.00	THERMOSTAT, SINGLE SHOT, 240V/40A
10	3	1003.00005.00	BRACKET, ONE SHOT THERMOSTAT
9	1	1022.00070.00	INSULATION, TANK FRONT, CBS-2152
8	1	1022.00071.00	INSULATION, TANK BACK, CBS-2152
7	3	1107.00010.00	HEATER ASSEMBLY, IMMERSION 4000W/240VAC
6	1	1102.00007.00	TANK COVER ASSEMBLY
5	1	1024.00007.00	O-RING, DASH #344, TANK COVER
4	1	1112.00019.00	PROBE WELDMENT, WATER LEVEL 2.600" LG
3	1	1102.00161.00	PROBE ASSEMBLY, TEMP. AND LLC, HWD-2100
2	1	1023.00166.00	FITTING, COLD WATER INLET, GROMMET DESIGN
1	2	1024.00053.00	LEVEL AND TEMP PROBE GROMMET

TOLERANCES
 UNLESS OTHERWISE SPECIFIED
 ALL DIMENSIONS IN INCHES

BILL OF MATERIALS
FETCO FOOD EQUIPMENT TECHNOLOGIES COMPANY
 10000 W. 10th Street, Suite 100, Overland Park, KS 66211
 PHONE: (800) 338-2669 / (847) 719-3002 USA
 E-MAIL: engineering@fetco.com www.fetco.com

DRAWING NAME: SERVICE PARTS, 3 X 40KW, CBS-2152 XTS TANK
 DRAWING NO: 1109.00066.00
 DATE: 06/17/2014
 CREATED BY: E.FORONDA
 SCALE: 0.125
 DRAWING BY: E.FORONDA
 SHEETS: 1 of 1
 APP'D BY: AG
 REVISION: A

FINISH: N/A
 N/A

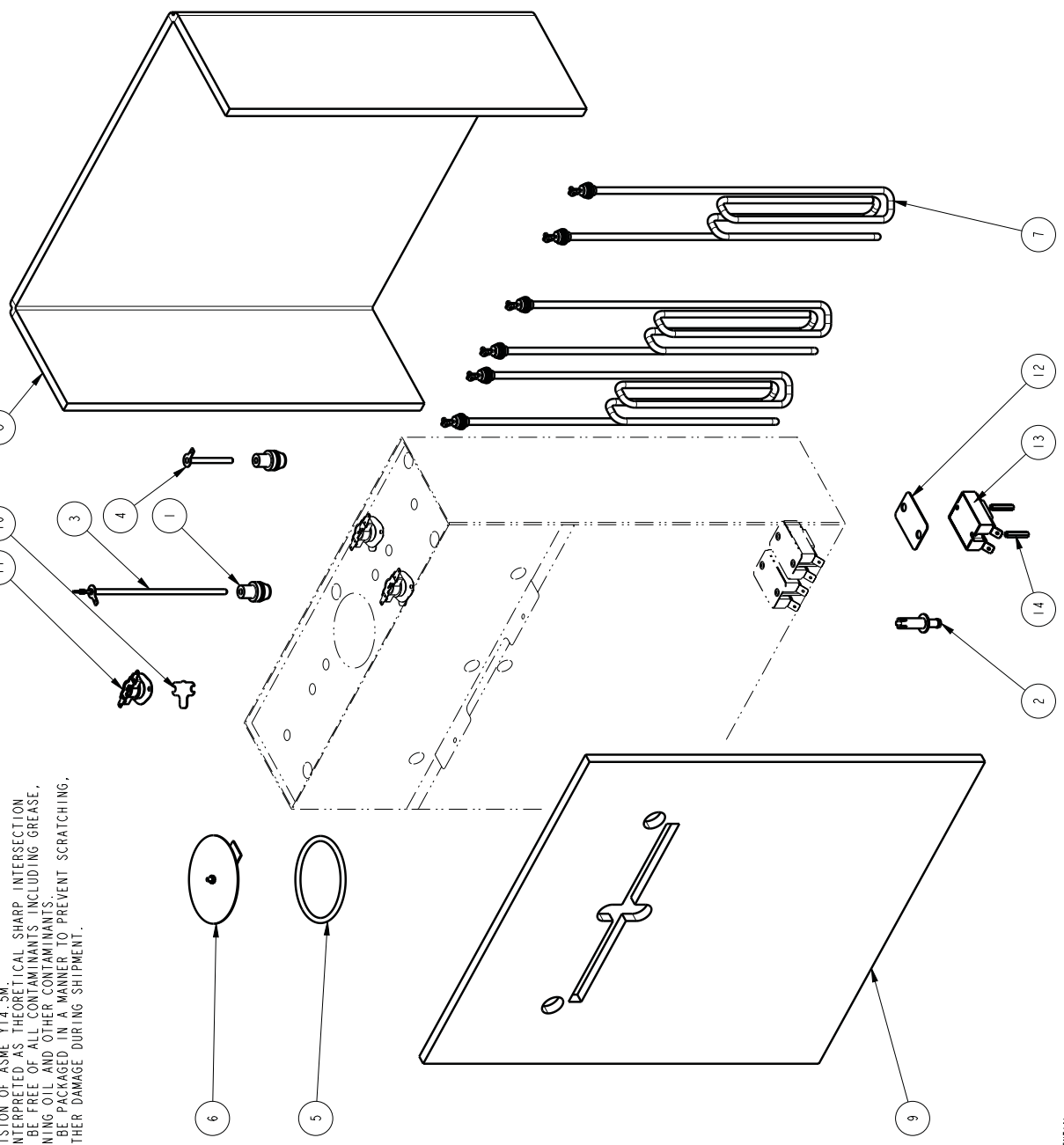
DWG. REF.: 1104.00075.00

PROPRIETARY AND CONFIDENTIAL. THIS DRAWING IS THE SOLE PROPERTY OF FETCO. THE INFORMATION CONTAINED IN THIS DRAWING IS TO BE USED FOR THE MANUFACTURE OF THE PRODUCT DESCRIBED HEREIN ONLY. ANY REPRODUCTION IN PART OR AS A WHOLE WITHOUT THE WRITTEN PERMISSION OF FETCO IS PROHIBITED.

REVISIONS			
REV	DATE	ECO NO	DESCRIPTION
A	08/15/2014	N/A	ORIGINAL
			BY: E.FORONDA

A

- NOTES:
- DRAWING TO BE INTERPRETED IN ACCORDANCE WITH THE CURRENT REVISION OF ASME Y14.5M.
 - TS1 TO BE INTERPRETED AS THEORETICAL SHARP INTERSECTION
 - PARTS SHALL BE FREE OF ALL CONTAMINANTS INCLUDING GREASE, DIRT, MACHINING OIL AND OTHER CONTAMINANTS.
 - PARTS SHALL BE PACKAGED IN A MANNER TO PREVENT SCRATCHING, BOWING OR OTHER DAMAGE DURING SHIPMENT.



ITEM NO	QTY	PART NO	DESCRIPTION
1	2	1024.00053.00	LEVEL AND TEMP PROBE GROMMET
2	1	1023.00166.00	FITTING, COLD WATER INLET, GROMMET DESIGN
3	1	1102.00161.00	PROBE ASSEMBLY, TEMP. AND LLC, HWD-2100
4	1	1112.00019.00	PROBE WELDMENT, WATER LEVEL 2.600" LG
5	1	1024.00007.00	O-RING, DASH #344, TANK COVER
6	1	1102.00007.00	TANK COVER ASSEMBLY
7	3	1107.00032.00	HEATER ASSEMBLY, IMMERSION, 5000W/240VAC
8	1	1022.00071.00	INSULATION, TANK BACK, CBS-2152
9	1	1022.00070.00	INSULATION, TANK FRONT, CBS-2152
10	3	1003.00005.00	BRACKET, ONE SHOT THERMOSTAT
11	3	1033.00003.00	THERMOSTAT, SINGLE SHOT, 240V/40A
12	3	1003.00140.00	ALUMINUM BRACKET FOR SSR
13	3	1052.00033.00	RELAY, SOLID STATE, 50A/480VAC, W/BUILD IN VARISTOR
14	6	1081.00042.00	STANDOFF, 1/4" HEX

FETCO FOOD EQUIPMENT TECHNOLOGIES COMPANY
 10000 W. 10th Street, Suite 100, Overland Park, KS 66211
 PHONE: (800) 338-2669 / (847) 719-3002 USA
 E-MAIL: engineering@fetco.com www.fetco.com

DRAWING NAME: SERVICE PARTS, 3 X 5kW, CBS-2152 XTS TANK
 DRAWING NO: 1109.00067.00
 DATE: 08/15/2014
 SCALE: 0.188
 SHEETS: 1 of 1
 REVISION: A

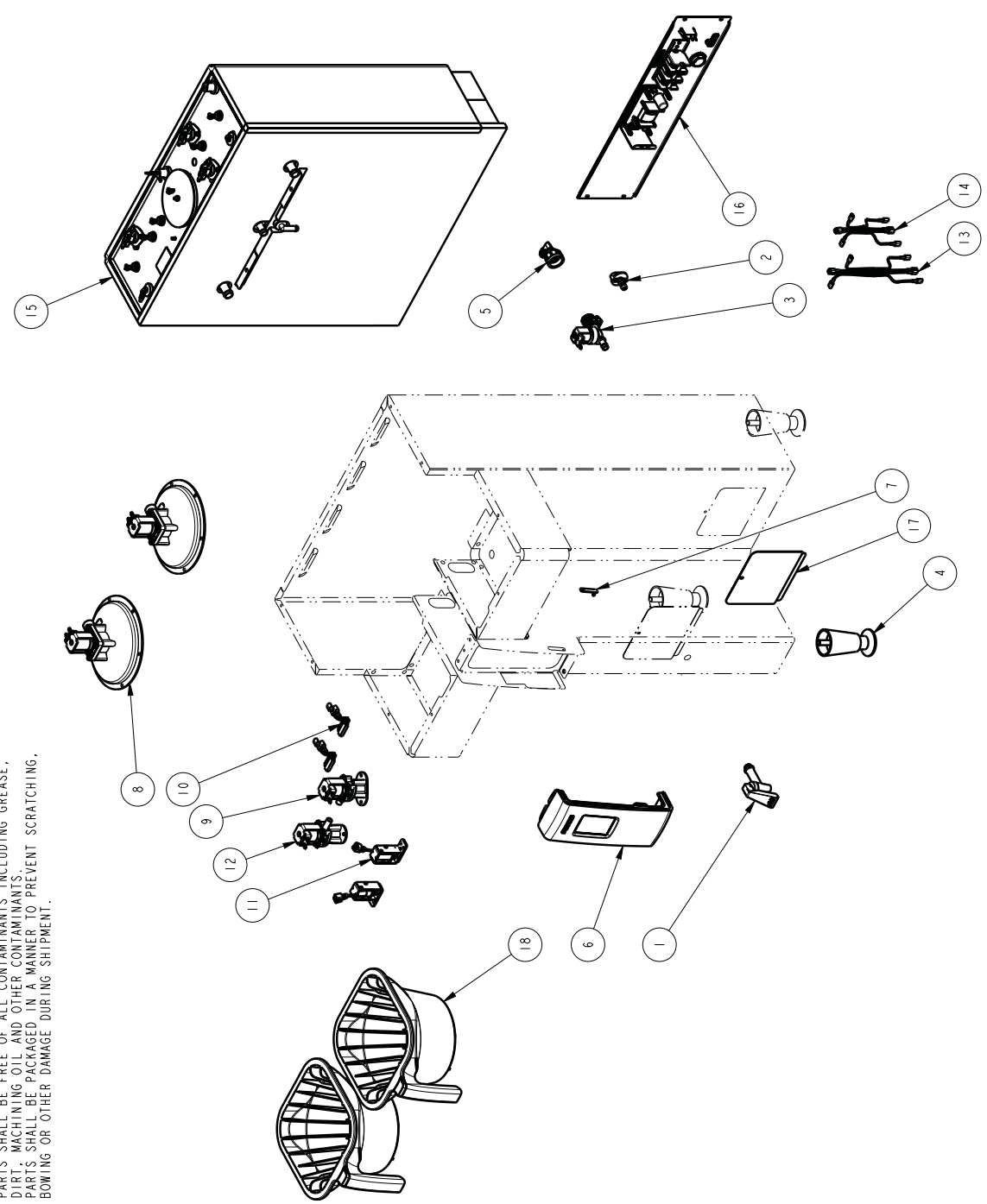
UNLESS OTHERWISE SPECIFIED:
 ALL DIMENSIONS IN INCHES
 DECIMAL ± .005
 ANGULAR ± 1/2°
 THREAD ANGLE
 UNLESS OTHERWISE SPECIFIED

TOLERANCES:
 UNLESS OTHERWISE SPECIFIED

DWG. REF.: 1104.00074.00

NOTES:

1. DRAWING TO BE INTERPRETED IN ACCORDANCE WITH THE CURRENT REVISION OF ASME Y14.5M.
2. TSI TO BE INTERPRETED AS THEORETICAL SHARP INTERSECTION.
3. PARTS SHALL BE FREE OF ALL CONTAMINANTS INCLUDING GREASE, DIRT, MACHINING OIL AND OTHER CONTAMINANTS.
4. PARTS SHALL BE PACKAGED IN A MANNER TO PREVENT SCRATCHING, BOWING OR OTHER DAMAGE DURING SHIPMENT.



REVISIONS			
REV	DATE	ECO NO	DESCRIPTION
A	08/14/2014	N/A	ORIGINAL

BY: E.FORONDA

A

ITEM NO	QTY	PART NO	DESCRIPTION
18	2	B015280BN2	BB ASSEMBLY, 16" x 6", Ø.280" HOLE
17	2	1001.00181.00	COVER FRONT, CBS-2100 XTS
16	1	1102.00229.00	ASSEMBLY BACK PANEL, CBS-2152
15	1	1104.00074.00	TANK ASSY, 3 X 5.0KW/240V, CBS-2152 XTS
14	1	1402.00053.00	HARNESS HIGH AMP, CBS-2152 XTS, UL
13	1	1402.00051.00	HARNESS LOW AMP, CBS-2142/52 XTS, CE/UL
12	1	1102.00221.00	ASSEMBLY, BYPASS VALVE, LEFT
11	2	1102.00219.00	ASSEMBLY, BB LOCKER, 24VDC
10	2	1102.00113.00	SWITCH, REED, ASSEMBLY
9	1	1102.00220.00	ASSEMBLY, BYPASS VALVE, RIGHT
8	2	1102.00223.00	SPRAY HOUSING, LARGE, COMPLETE ASSEMBLY, 24 VDC
7	1	1024.00040.00	CARD PLUG, HWD-2100
6	1	1102.00210.00	ASSEMBLY FRONT PANEL, CBS-2130, GRAVITY VERSION
5	1	1102.00243.00	ADAPTER ASSY, 3/4" BSP x 1/4" NPT x 3/8" TUBE
4	3	1073.00007.00	LEG, FLANGE FOOT, 4" HIGH
3	1	1057.00043.00	SOLENOID VALVE, SINGLE, 180 DEG, 24VDC
2	1	1023.00147.00	PLUG, TANK SERVICE DRAIN FOR 18GA AND UP BODY
1	1	1071.00010.00	FAUCET HPSC-BR-8 REGULAR HANDLE

FETCO
FOOD EQUIPMENT TECHNOLOGIES COMPANY
 10000 W. 10th Street, Suite 100
 Overland Park, KS 66204
 PHONE: (800) 338-2669 / (847) 719-3002
 E-MAIL: engineer@fetco.com / www.fetco.com

DRAWING NAME: SERVICE PARTS, CBS-2152, 3 X 5KW/240VAC XTS
 DRAWING NO: 1109.00064.00
 DATE: 08/14/2014
 SCALE: 0.125
 SHEETS: 1 of 1
 REVISION: A

ALL DIMENSIONS IN INCHES
 DECIMAL ± .005
 ANGULAR ± 1/2°
 THIRD ANGLE
 UNLESS OTHERWISE SPECIFIED

ITEM NO QTY PART NO DESCRIPTION

DATE: 08/14/2014
 SCALE: 0.125
 SHEETS: 1 of 1
 REVISION: A

UNLESS OTHERWISE SPECIFIED

ALL DIMENSIONS IN INCHES

DECIMAL ± .005

ANGULAR ± 1/2°

THIRD ANGLE

UNLESS OTHERWISE SPECIFIED

DWG. REF.: 1101.00207.00

N/A

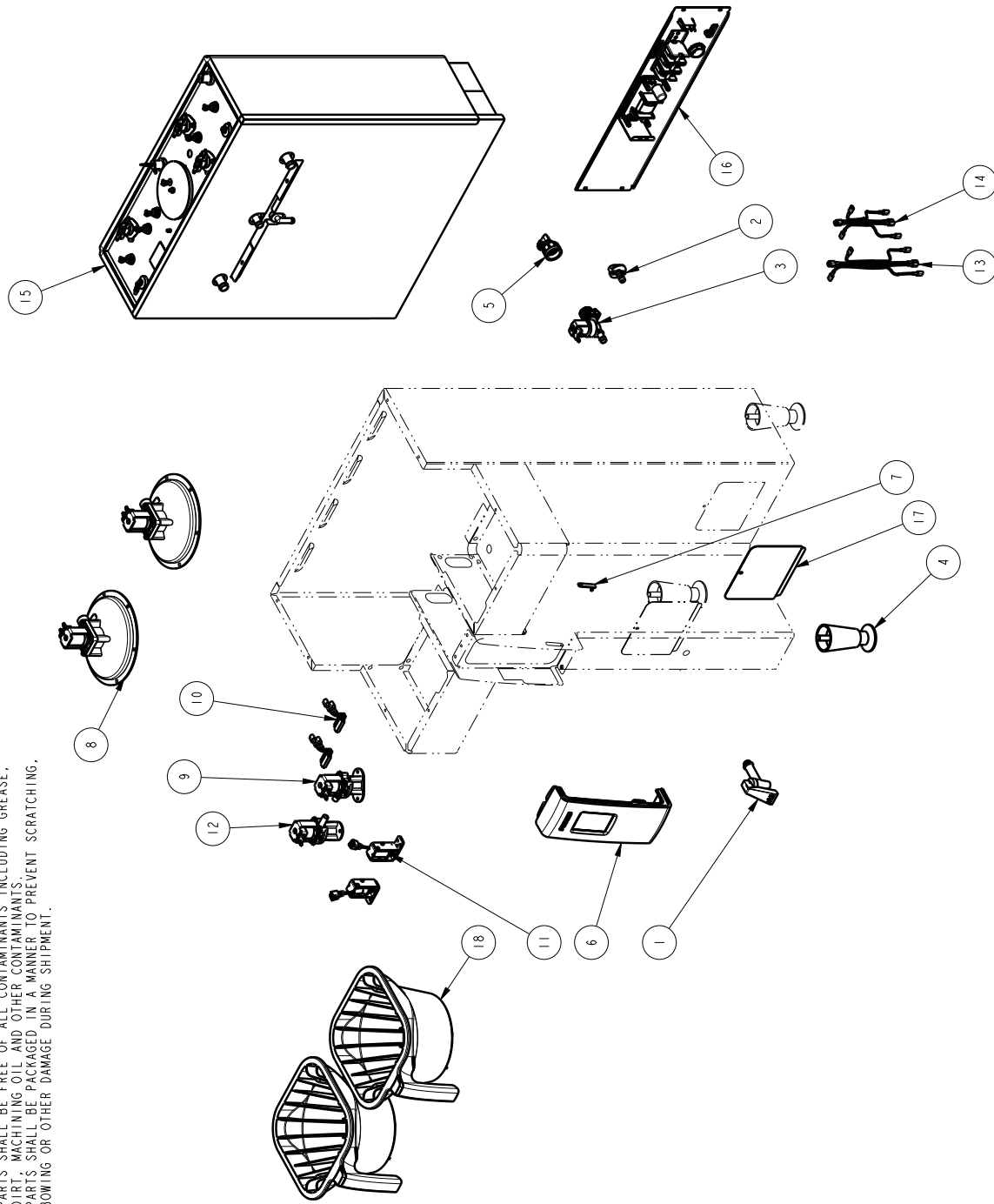
PROPRIETARY AND CONFIDENTIAL. THIS DRAWING IS THE SOLE PROPERTY OF FETCO. ANY REPRODUCTION IN PART OR AS A WHOLE WITHOUT THE WRITTEN PERMISSION OF FETCO IS PROHIBITED.

REVISONS			
REV	DATE	ECO NO	DESCRIPTION
A	08/14/2014	N/A	ORIGINAL
			BY: E.FORONDA

REVISONS			
REV	DATE	ECO NO	DESCRIPTION
A	08/14/2014	N/A	ORIGINAL
			BY: E.FORONDA

NOTES:

1. DRAWING TO BE INTERPRETED IN ACCORDANCE WITH THE CURRENT REVISION OF ASME Y14.5M.
2. TSI TO BE INTERPRETED AS THEORETICAL SHARP INTERSECTION.
3. PARTS SHALL BE FREE OF ALL CONTAMINANTS INCLUDING GREASE, DIRT, MACHINING OIL AND OTHER CONTAMINANTS.
4. PARTS SHALL BE PACKAGED IN A MANNER TO PREVENT SCRATCHING, BOWING OR OTHER DAMAGE DURING SHIPMENT.



ITEM NO	QTY	PART NO	DESCRIPTION
18	2	B015280BN2	BB ASSEMBLY, 16" x 6", Ø.280" HOLE
17	2	1001.00181.00	COVER FRONT, CBS-2100 XTS
16	1	1102.00229.00	ASSEMBLY BACK PANEL, CBS-2152
15	1	1104.00062.00	TANK ASSY, 3 X 3.04W/240V, CBS-2152 XTS
14	1	1402.00053.00	HARNESS HIGH AMP, CBS-2152 XTS, UL
13	1	1402.00051.00	HARNESS LOW AMP, CBS-2142/52 XTS, CE/UL
12	1	1102.00221.00	ASSEMBLY, BYPASS VALVE, LEFT
11	2	1102.00219.00	ASSEMBLY, BB LOCKER, 24VDC
10	2	1102.00113.00	SWITCH, REED, ASSEMBLY
9	1	1102.00220.00	ASSEMBLY, BYPASS VALVE, RIGHT
8	2	1102.00223.00	SPRAY HOUSING, LARGE, COMPLETE ASSEMBLY, 24 VDC
7	1	1024.00040.00	CARD PLUG, HWD-2100
6	1	1102.00210.00	ASSEMBLY FRONT PANEL, CBS-2130, GRAVITY VERSION
5	1	1102.00243.00	ADAPTER ASSY, 3/4" BSP x 1/4" NPT x 3/8" TUBE
4	3	1073.00007.00	LEG, FLANGE FOOT, 4" HIGH
3	1	1057.00043.00	SOLENOID VALVE, SINGLE, 180 DEG, 24VDC
2	1	1023.00147.00	PLUG, TANK SERVICE DRAIN FOR 18GA AND UP BODY
1	1	1071.00010.00	FAUCET HPSC-BR-8 REGULAR HANDLE

TOLERANCES UNLESS OTHERWISE SPECIFIED

FETCO FOOD EQUIPMENT TECHNOLOGIES COMPANY
 10000 W. 10th Street, Suite 100, Overland Park, KS 66204
 PHONE: (800) 338-2669 (847) 719-3002 USA
 E-MAIL: engineering@fetco.com www.fetco.com

ALL DIMENSIONS IN INCHES

DRAWING NAME: SERVICE PARTS, CBS-2152, 3 X 3KW/240VAC XTS
 DRAWING NO: 08/14/2014
 CREATED BY: E.FORONDA
 SCALE: 0.125
 SHEETS: 1 of 1
 REVISION: A

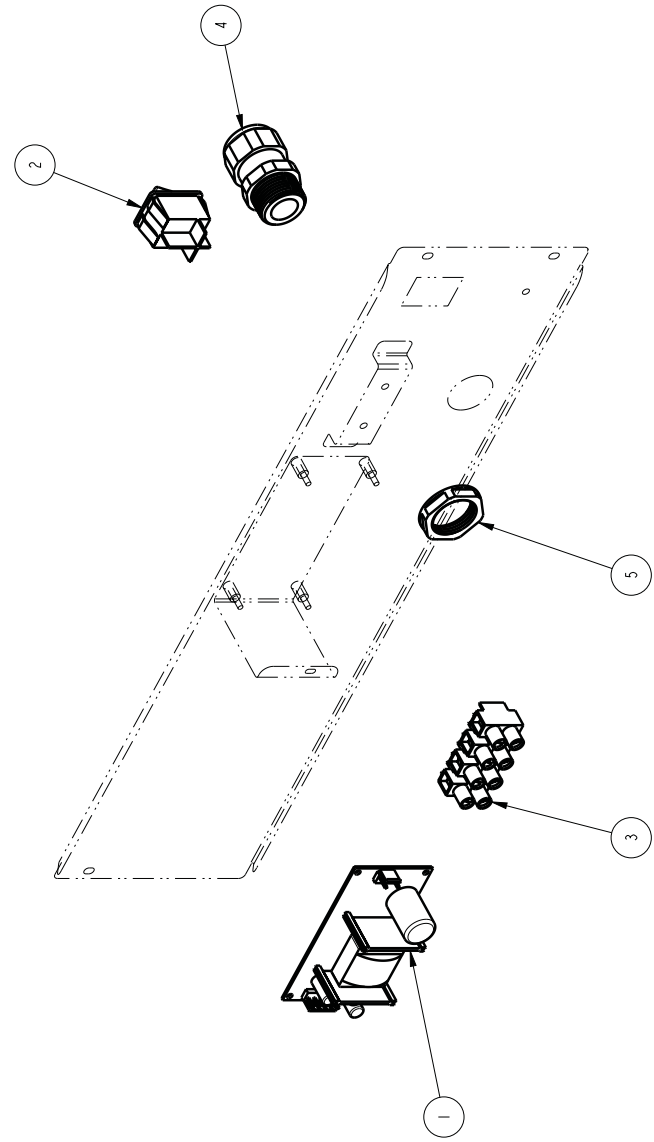
DECIMAL ± .005
 ANGULAR ± 1/2°
 THREAD ANGLE: 60°
 MATERIAL: N/A
 FINISH: N/A

DWG. REF.: 1101.00191.00

PROPRIETARY AND CONFIDENTIAL. THIS DRAWING IS THE SOLE PROPERTY OF FETCO. THE INFORMATION CONTAINED IN THIS DRAWING IS TO BE USED FOR THE MANUFACTURE OF FETCO EQUIPMENT ONLY. ANY REPRODUCTION IN PART OR AS A WHOLE WITHOUT THE WRITTEN PERMISSION OF FETCO IS PROHIBITED.

NOTES:

1. DRAWING TO BE INTERPRETED IN ACCORDANCE WITH THE CURRENT REVISION OF ASME Y14.5M
2. TSI TO BE INTERPRETED AS THEORETICAL SHARP INTERSECTION.
3. PARTS SHALL BE FREE OF ALL CONTAMINANTS INCLUDING GREASE, DIRT, MACHINING OIL AND OTHER CONTAMINANTS.
4. PARTS SHALL BE PACKAGE IN A MANNER TO PREVENT BOWING, SCRATCHING, OR OTHER DAMAGE DURING SHIPMENT.



REVISIONS

REV	DATE	ECO NO	DESCRIPTION	BY:
A	11/27/2013	N/A	ORIGINAL	E.FORONDA
B	02/25/2014	N/A	CHANGE ITEM 4 WAS 1086.00030.00 & ITEM 5 WAS 1084.00034.00	E.FORONDOA

B

ITEM NO	QTY	PART NO	DESCRIPTION
5	1	1086.00032.00	LOCKNUT, HEX BLACK, FOR SKINTOP RELIEF
4	1	1086.00031.00	BUSHING, STRAIN RELIEF, BLACK, .354" - .630"
3	1	1052.00023.00	EUROSTRIP HEID TERMINAL BLOCK, 4 POLE, 50AMP, 18-8
2	1	1058.00024.00	SWITCH, POWER, DOUBLE POLE, 16A, 125/250 VAC
1	1	1052.00001.00	POWER SUPPLY, 90-264VAC/24VDC, 1.8A

BILL OF MATERIALS
FETCO FOOD EQUIPMENT TECHNOLOGIES COMPANY
 10000 W. 10TH AVENUE, SUITE 1000, DENVER, CO 80202 USA
 PHONE: (800) 338-2669 / (847) 719-3002
 E-MAIL: engineering@fetco.com / www.fetco.com

DRAWING NAME:	DATE:	DRAWING NO.:
SERVICE PARTS, BACK PANEL, CBS-2152 CE	11/27/2013	1109.00049.00
CREATED BY:	E. FORONDA	SCALE:
DRAWING BY:	E. FORONDA	0.375
APP'D BY:	AG	SHEETS:
		1 of 1
		REVISION
		B

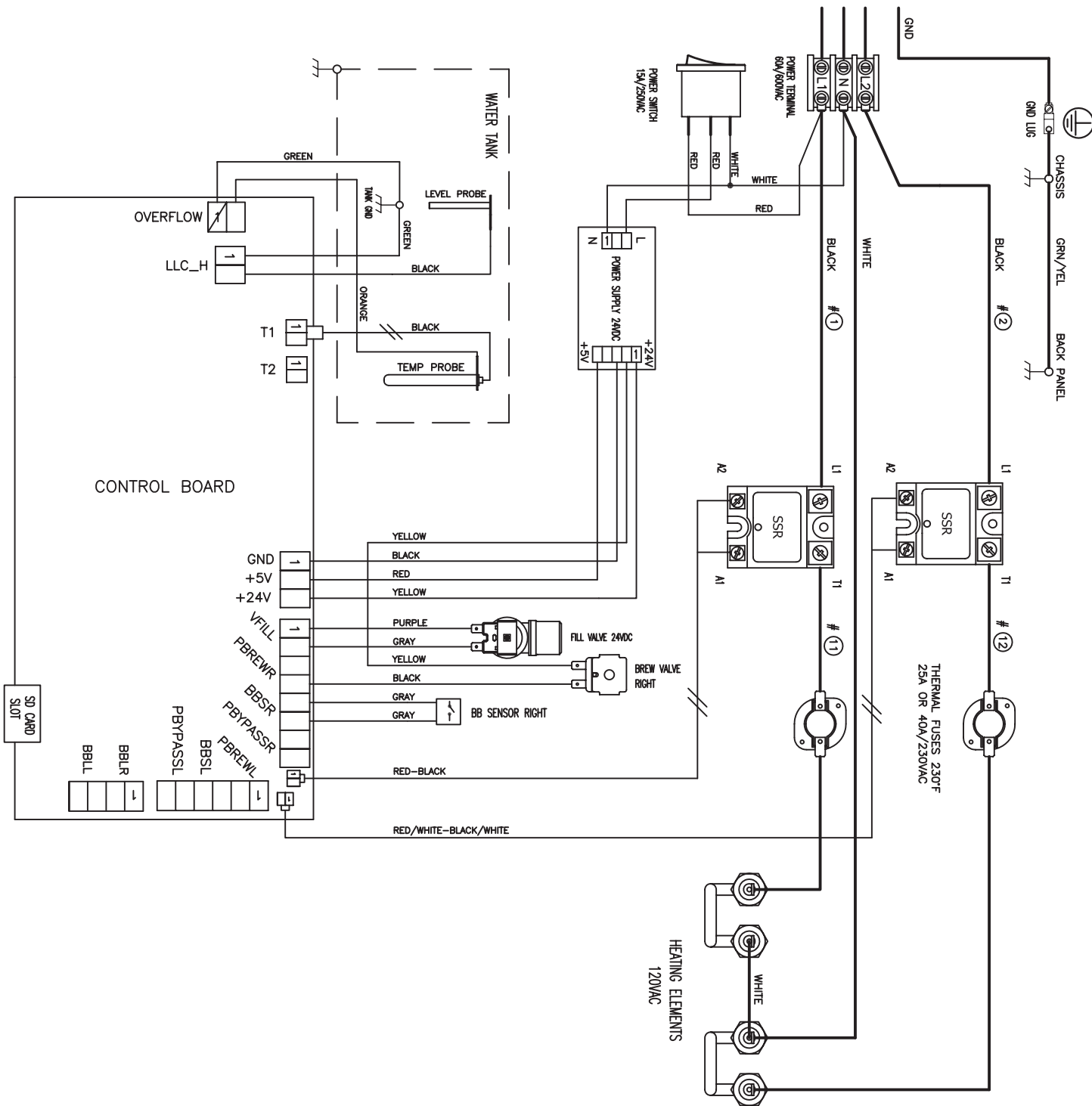
UNLESS OTHERWISE SPECIFIED	UNLESS OTHERWISE SPECIFIED
ALL DIMENSIONS IN INCHES	FINISH
ALL DECIMALS ± .002	N/A
ANGULAR ± 1/2°	N/A
THREAD-ANGLE	N/A
WATERFALL	N/A

DWG. REF.: 1102.00217.00

PROPRIETARY AND CONFIDENTIAL. THIS DRAWING IS THE SOLE PROPERTY OF FETCO. THE INFORMATION CONTAINED IN THIS DRAWING IS TO BE KEPT IN STRICTLY CONFIDENTIAL. ANY REPRODUCTION IN PART OR AS A WHOLE WITHOUT THE WRITTEN PERMISSION OF FETCO IS PROHIBITED.

REVISIONS

REV	DATE	ECO NO	DESCRIPTION	BY:	A
A	04/10/14	N/A	ORIGINAL	AG	



TOLERANCES	REVISIONS			DWG. NAME:	SCALE	MATERIAL	
	NO.	DATE	BY				
EXCEPT AS NOTED	A	04-10-14	AG	WIRING, CBS-2131 XTS, L1, L2, N+GND, 2 HEATERS OR L1, N+GND, 1 HEATER	N/A	N/A	
DECIMAL	B						
+/- .005	C						
FRACTIONAL	D						
+/- 1/64"	E						
ANGULAR				DRAWN BY	AG	SIZE	A
+/- 1/2 DEG				CHK'D	L.W	DATE	04-10-2014
				APP'D	L.W	DRAWING NO. 1401.00091.00	

FETCO

FOOD EQUIPMENT TECHNOLOGY COMPANY
 800 ROSE RD.
 LAKE ZURICH, IL 60047
 PHONE: 847-719-3000, FAX: 847-719-3001
 WWW.FETCO.COM