



IC3 DBC Infusion Series®



ILLUSTRATED PARTS CATALOG

Designs, materials, weights, specifications, and dimensions for equipment or replacement parts are subject to change without notice.

BUNN-O-MATIC CORPORATION

POST OFFICE BOX 3227

SPRINGFIELD, ILLINOIS 62708-3227

PHONE: (217) 529-6601 FAX: (217) 529-6644

www.bunn.com

To ensure you have the latest revision of the Operating Manual, Illustrated Parts Catalog, Programming Manual, or Service Manual, please visit the Bunn-O-Matic website, at www.bunn.com. This is absolutely FREE, and the quickest way to obtain the latest catalog and manual updates. For Technical Service, contact Bunn-O-Matic Corporation at 1-800-286-6070.

BUNN-O-MATIC COMMERCIAL PRODUCT WARRANTY

Bunn-O-Matic Corp. ("BUNN") warrants equipment manufactured by it as follows:

- 1) Airpots, thermal carafes, decanters, GPR servers, iced tea/coffee dispensers, MCR/MCP/MCA single cup brewers, thermal servers and ThermoFresh® servers (mechanical and digital) 1 year parts and 1 year labor.
- 2) All other equipment - 2 years parts and 1 year labor plus added warranties as specified below:
 - a) Electronic circuit and/or control boards - parts and labor for 3 years.
 - b) Compressors on refrigeration equipment - 5 years parts and 1 year labor.
 - c) Grinding burrs on coffee grinding equipment to grind coffee to meet original factory screen sieve analysis - parts and labor for 4 years or 40,000 pounds of coffee, whichever comes first.

These warranty periods run from the date of installation BUNN warrants that the equipment manufactured by it will be commercially free of defects in material and workmanship existing at the time of manufacture and appearing within the applicable warranty period. This warranty does not apply to any equipment, component or part that was not manufactured by BUNN or that, in BUNN's judgment, has been affected by misuse, neglect, alteration, improper installation or operation, improper maintenance or repair, non periodic cleaning and descaling, equipment failures related to poor water quality, damage or casualty. In addition, the warranty does not apply to replacement of items subject to normal use including but not limited to user replaceable parts such as seals and gaskets. This warranty is conditioned on the Buyer 1) giving BUNN prompt notice of any claim to be made under this warranty by telephone at (217) 529-6601 or by writing to Post Office Box 3227, Springfield, Illinois 62708-3227; 2) if requested by BUNN, shipping the defective equipment prepaid to an authorized BUNN service location; and 3) receiving prior authorization from BUNN that the defective equipment is under warranty.

THE FOREGOING WARRANTY IS EXCLUSIVE AND IS IN LIEU OF ANY OTHER WARRANTY, WRITTEN OR ORAL, EXPRESS OR IMPLIED, INCLUDING, BUT NOT LIMITED TO, ANY IMPLIED WARRANTY OF EITHER MERCHANTABILITY OR FITNESS FOR A PARTICULAR PURPOSE. The agents, dealers or employees of BUNN are not authorized to make modifications to this warranty or to make additional warranties that are binding on BUNN. Accordingly, statements by such individuals, whether oral or written, do not constitute warranties and should not be relied upon.

If BUNN determines in its sole discretion that the equipment does not conform to the warranty, BUNN, at its exclusive option while the equipment is under warranty, shall either 1) provide at no charge replacement parts and/or labor (during the applicable parts and labor warranty periods specified above) to repair the defective components, provided that this repair is done by a BUNN Authorized Service Representative; or 2) shall replace the equipment or refund the purchase price for the equipment.

THE BUYER'S REMEDY AGAINST BUNN FOR THE BREACH OF ANY OBLIGATION ARISING OUT OF THE SALE OF THIS EQUIPMENT, WHETHER DERIVED FROM WARRANTY OR OTHERWISE, SHALL BE LIMITED, AT BUNN'S SOLE OPTION AS SPECIFIED HEREIN, TO REPAIR, REPLACEMENT OR REFUND.

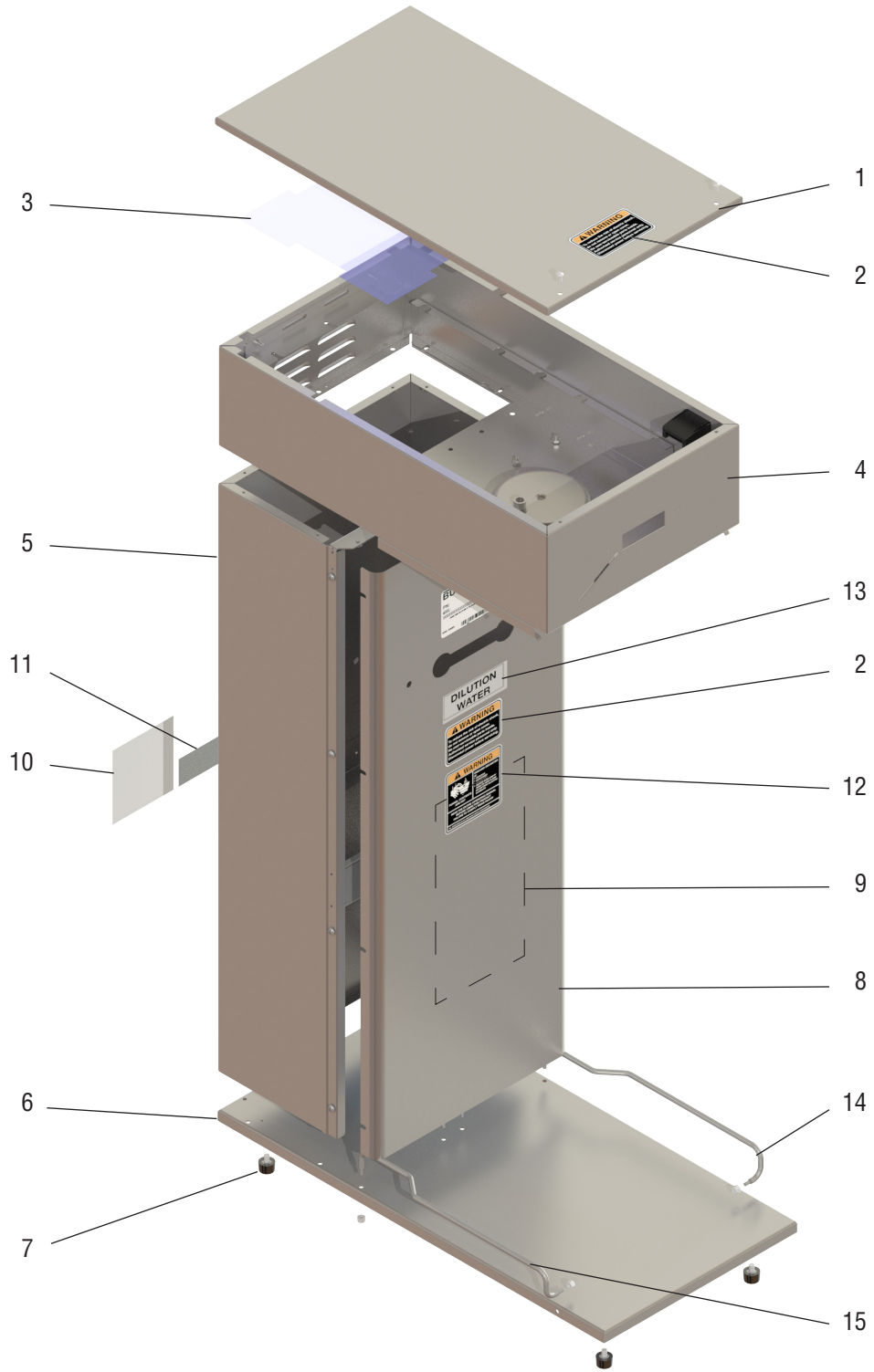
In no event shall BUNN be liable for any other damage or loss, including, but not limited to, lost profits, lost sales, loss of use of equipment, claims of Buyer's customers, cost of capital, cost of down time, cost of substitute equipment, facilities or services, or any other special, incidental or consequential damages.

392, A Partner You Can Count On, Air Infusion, AutoPOD, AXIOM, BrewLOGIC, BrewMETER, Brew Better Not Bitter, BrewWISE, BrewWIZARD, BUNN Espresso, BUNN Family Gourmet, BUNN Gourmet, BUNN Pour-O-Matic, BUNN, BUNN with the stylized red line, BUNNlink, Bunn-OMatic, Bunn-O-Matic, BUNNserve, BUNNSERVE with the stylized wrench design, Cool Froth, DBC, Dr. Brew stylized Dr. design, Dual, Easy Pour, EasyClear, EasyGard, FlavorGard, Gourmet Ice, Gourmet Juice, High Intensity, iMIX, Infusion Series, Intellisteam, My Café, Phase Brew, PowerLogic, Quality Beverage Equipment Worldwide, Respect Earth, Respect Earth with the stylized leaf and coffee cherry design, Safety-Fresh, savemycoffee.com, Scale-Pro, Silver Series, Single, Smart Funnel, Smart Hopper, SmartWAVE, Soft Heat, SplashGard, The Mark of Quality in Beverage Equipment Worldwide, ThermoFresh, Titan, trifacta, TRIFECTA (stylized logo), Velocity Brew, Air Brew, Beverage Bar Creator, Beverage Profit Calculator, Brew better, not bitter., Build-A-Drink, BUNNSource, Coffee At Its Best, Cyclonic Heating System, Daypart, Digital Brewer Control, Element, Milk Texturing Fusion, Nothing Brews Like a BUNN, Picture Prompted Cleaning, Pouring Profits, Signature Series, Sure Tamp, Tea At Its Best, The Horizontal Red Line, Ultra are either trademarks or registered trademarks of Bunn-O-Matic Corporation. The commercial trifacta® brewer housing configuration is a trademark of Bunn-O-Matic Corporation.

TABLE OF CONTENTS

Top Cover, Hood, Trunk, Base & Panels	4
Tank Assembly	6
Lower Components	8
Upper Components	12
Funnel	14

To search this document electronically, press “control” + “F” (on P.C.) or “command” + “F” on Mac, then type in description or part number, press “enter”.



TOP COVER, HOOD, TRUNK, BASE AND PANELS

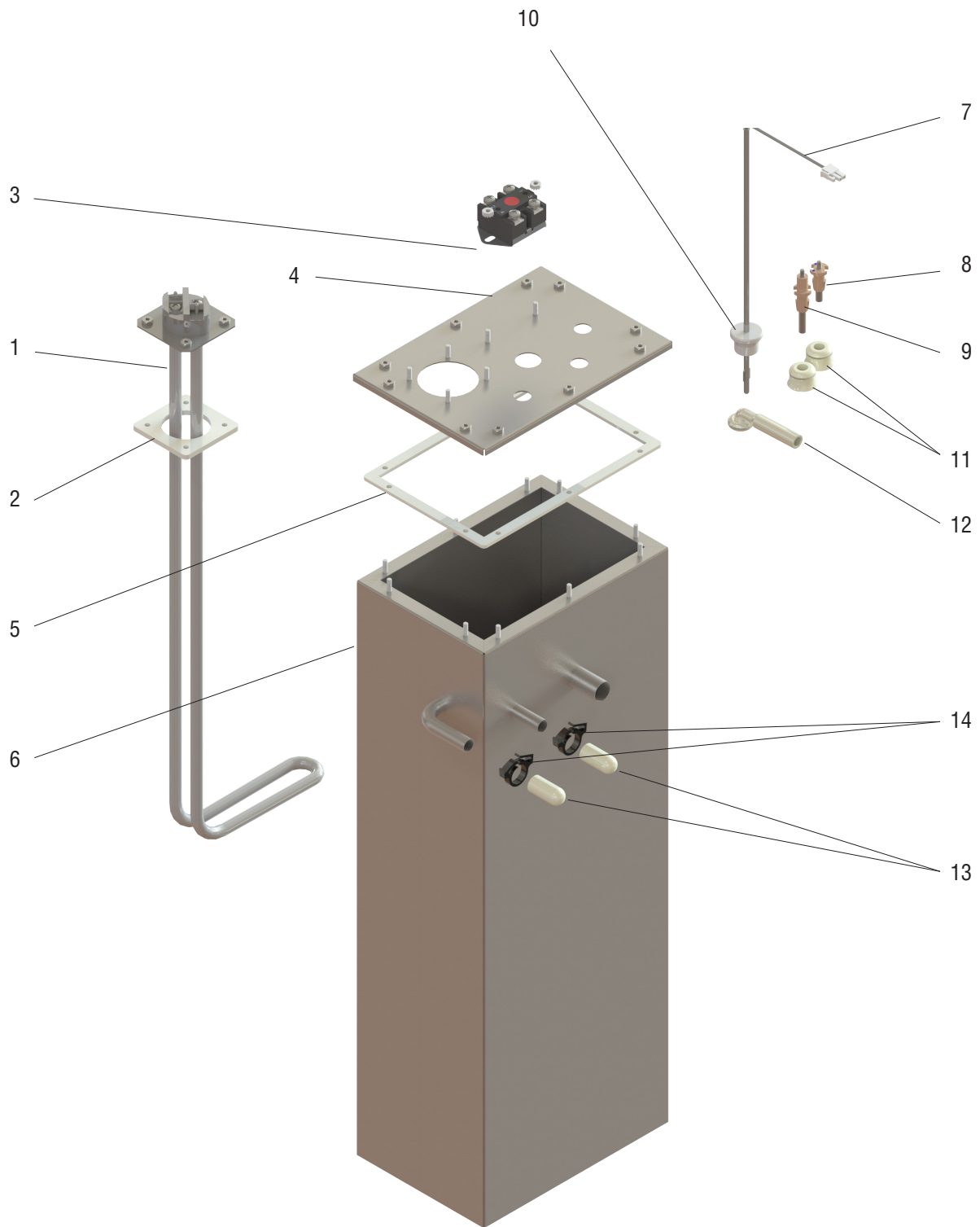
ITEM	PART NO.	QTY.	DESCRIPTION
1	24435.1000	1	Cover, Top W/Decals, (Includes items 2 & 3)
	01382.0000	2	Screw, Truss Head #6-32 x .375"
2	37881.0000	2	Decal, No Serviceable Parts
3	25151.0002	1	Shield, Insulator
4	47603.0000	1	Hood
	02308.0000	14	Screw, Pan Head #8-32 x .375"
5	47378.1001	1	Trunk (Includes # 10 & 11)
	02308.0000	7	Screw, Pan Head #8-32 x .375"
6	47376.0001	1	Base
7	25137.0001	4	Foot, .75" O.D. x .44"
	24600.0000	1	Kit, Foot (Includes 4 feet)
8	47606.1001	1	Panel, Access (Includes # 2 & 12)
	01311.0001	8	Screw, Truss Head #8-32 x .25"
9	48341.0000	1	Schematic, Electrical
10	00831.0000	1	Decal, WARNING Electrical
11	00656.0001	1	Decal, Comply to Plumbing Code
12	00658.0000	1	Decal, WARNING Funnel Contents
13	49021.0000	1	Decal, Dilution Water
14	36462.0000	1	Rail, Right
	00970.0000	2	Nut, Hex Keps #8-32
15	36461.0000	1	Rail, Left
	00970.0000	2	Nut, Hex Keps #8-32

* Indicates the part number listed is for reference only. See DESCRIPTION for possible service replacement.



TANK ASSEMBLY

IC3-DBC



TANK ASSEMBLY

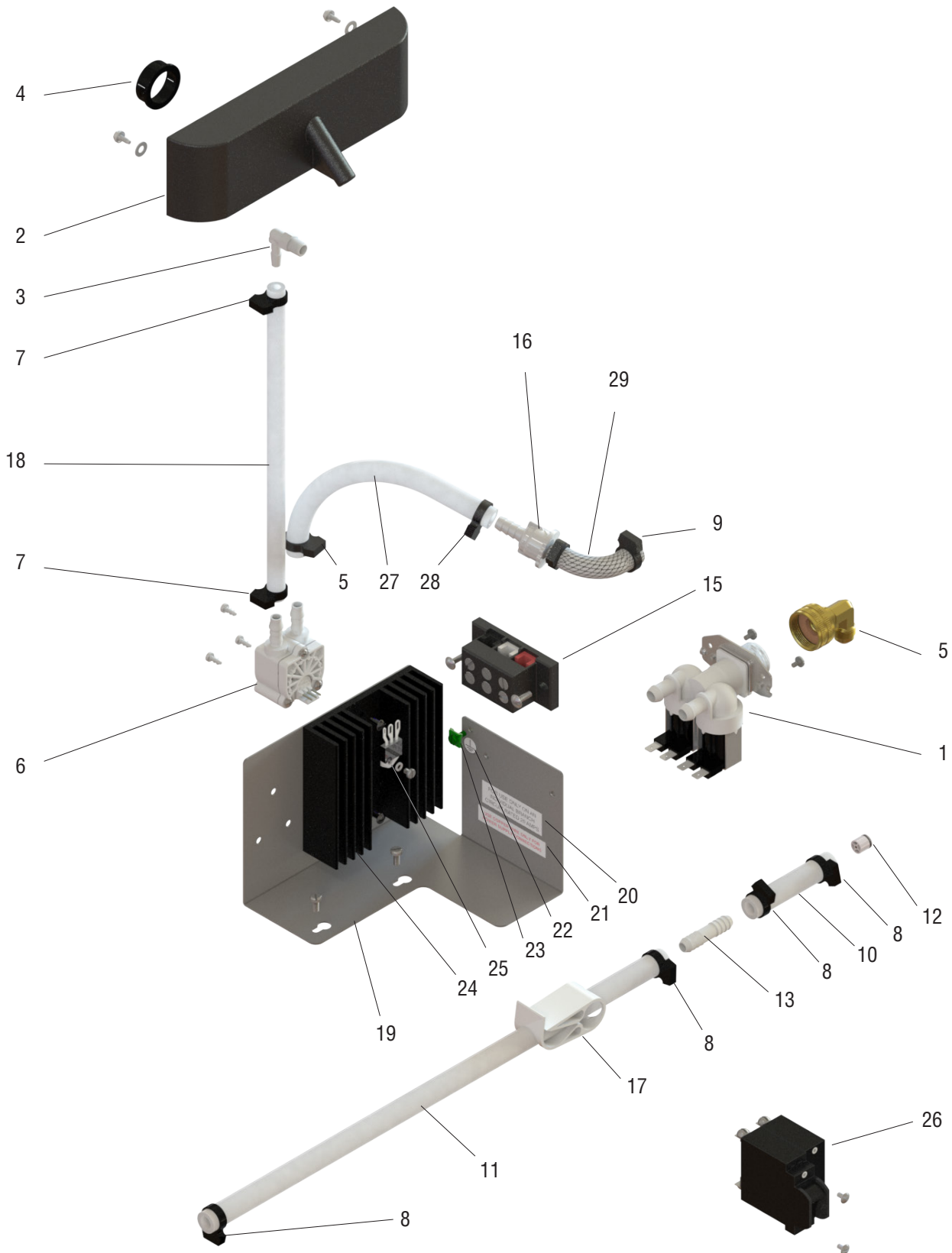
ITEM	PART NO.	QTY.	DESCRIPTION
1	12305.1000	1	Tank Heater Kit, 120/208V (Includes item 2)
	00908.0000	4	Nut, Hex #8-32
2	12398.0000	1	Gasket, Tank Heater
3	23717.0003	1	Limit Thermostat
	00970.0000	2	Nut, Keps #8-32
4	25926.0001	1	Tank Lid
	00908.0000	10	Nut, Hex #8-32
5	12377.0000	1	Gasket, Tank Lid
6	25920.0005	1	Tank
7	39085.0001	1	Probe, Temperature
8	07412.0003	1	Probe, Liquid Level
9	20936.0000	1	Probe, Liquid Level
10	33801.0003	1	Grommet, Temp Probe
11	38114.0000	2	Grommet, Liquid Level Probe
12	38969.0003	1	Fitting, 90° Silicon
13	29279.0000	2	Cap, Silicon
14	12422.0005	2	Clamp, SNP-12

* Indicates the part number listed is for reference only. See DESCRIPTION for possible service replacement.



LOWER COMPONENTS

IC3-DBC



LOWER COMPONENTS

ITEM	PART NO.	QTY.	DESCRIPTION
1	43041.0000	1	Kit, Replacement Solenoid 120VAC
	32283.0000	2	Screw, SST SLTD PNH M4 X 6MM
	46884.0000	1	Strainer
2	36360.1001	1	Nozzle, Dilution (Includes 40783.0000)
	02332.0005	2	Screw, Hex #6 x .375"
	28614.0000	2	Washer
3	40783.0000	1	Elbow, 1/8-27 NPT TO 1/4" BARB
4	01592.0001	1	Snap Bushing
5	37297.1001	1	Elbow, .375 Flr X .75 Fthrd
6	40752.1001	1	Meter, Flow
	41103.0000	3	Screws, #8
7	12422.0000	2	Clamp, SNP-6
8	12422.0001	4	Clamp, SNP-10
9	12422.0005	2	Clamp, SNP-12
10		1	Tubing, Silicon .375" x 3" (Order # 31, cut as needed)
11		1	Tubing, Silicon .375" x 9" (Order # 31, cut as needed)
12	36378.0001	1	Check Valve
13	34644.0000	1	Connector, .375" x .375"
14	41666.0006	1	Tube Assy,
15	07038.0000	1	Terminal Block
	01317.0000	2	Screws, TRH SLTD 8-32 x .5"
16	41595.0010	1	Flow Control Assembly (.500 GPM)
	20526.2500	1	Flow Washer/O-ring Kit (.500 GPM)
17	11630.0001	1	Clamp, Shut Off
18		1	Tube, Silicon 1/4" x 26 1/2" (Order # 30, cut as needed)
19	47384.0000	1	Bracket, Component Mounting
	02308.0000	2	Screws, 8-32 x .375"
20	00985.0000	1	Decal, Individual Circuit
21	00870.0000	1	Decal, Use Copper Wire
22	00824.0002	1	Decal, Ground

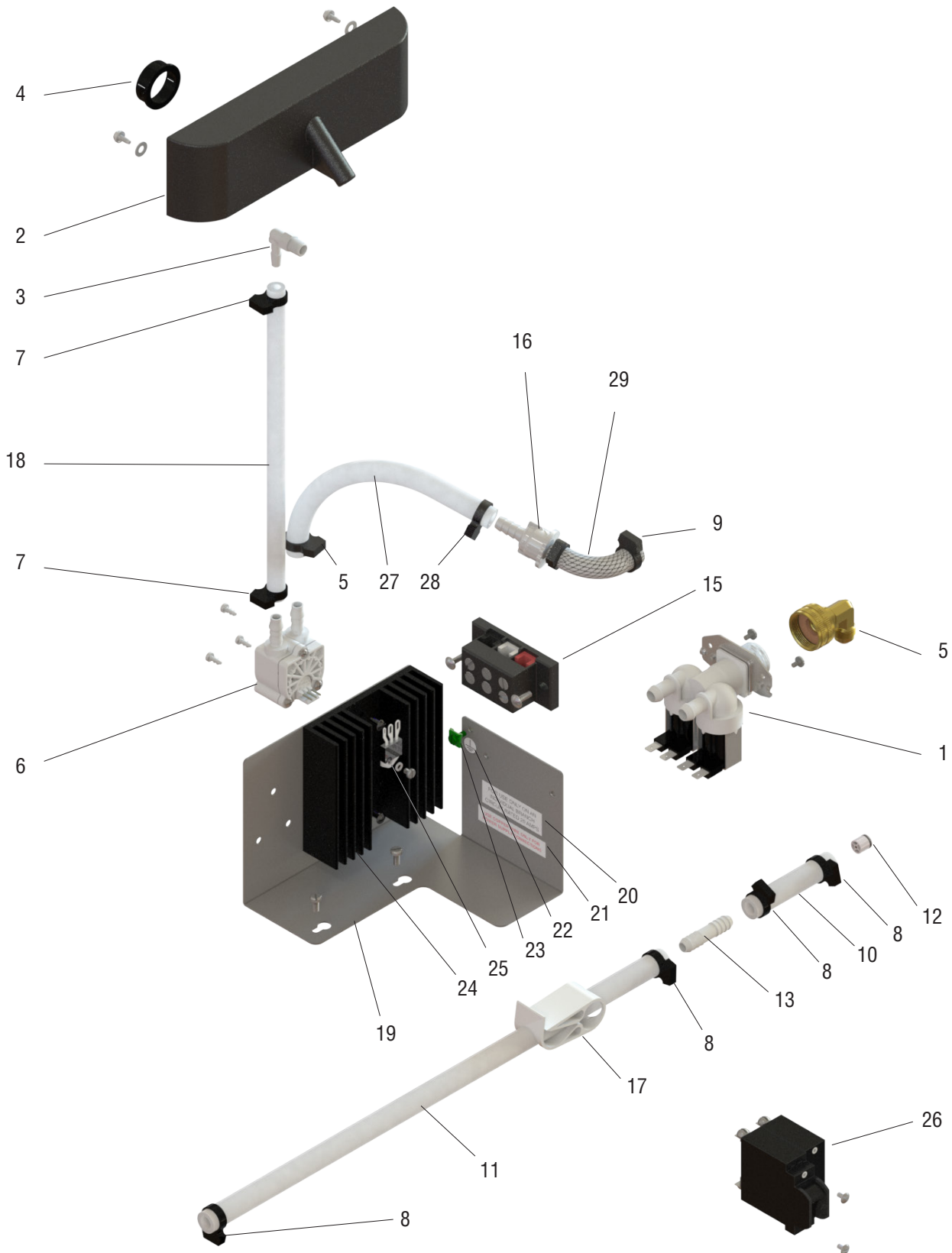
(continued)

* Indicates the part number listed is for reference only. See DESCRIPTION for possible service replacement.



LOWER COMPONENTS

IC3-DBC



LOWER COMPONENTS

ITEM	PART NO.	QTY.	DESCRIPTION
23	37804.0000	1	Screw, Ground 8-32 x .5"
24	20541.0001	1	Heat Sink
	01382.0007	2	Screw, 6-32 x .375"
25	12565.0050	1	Triac, Heater
	02328.0002	1	Screw, 6-32 x .188"
	01520.0000	1	Washer, Lock #6 SST
	M2522.1000	1	Compound, Heat Sink 5 oz Tube
26	38894.0001	1	Switch, Main
	01308.0002	2	Screw, TRH SLTD 6-32 x .25"
27		1	Tubing .3125" x 10½" (Order # 32, cut as needed)
28	12422.0006	1	Clamp, SNP-8
29	34325.0003	1	Tubing, Braided .375" ID x 3.0" (Order # 33, cut as needed)

The following items are not illustrated

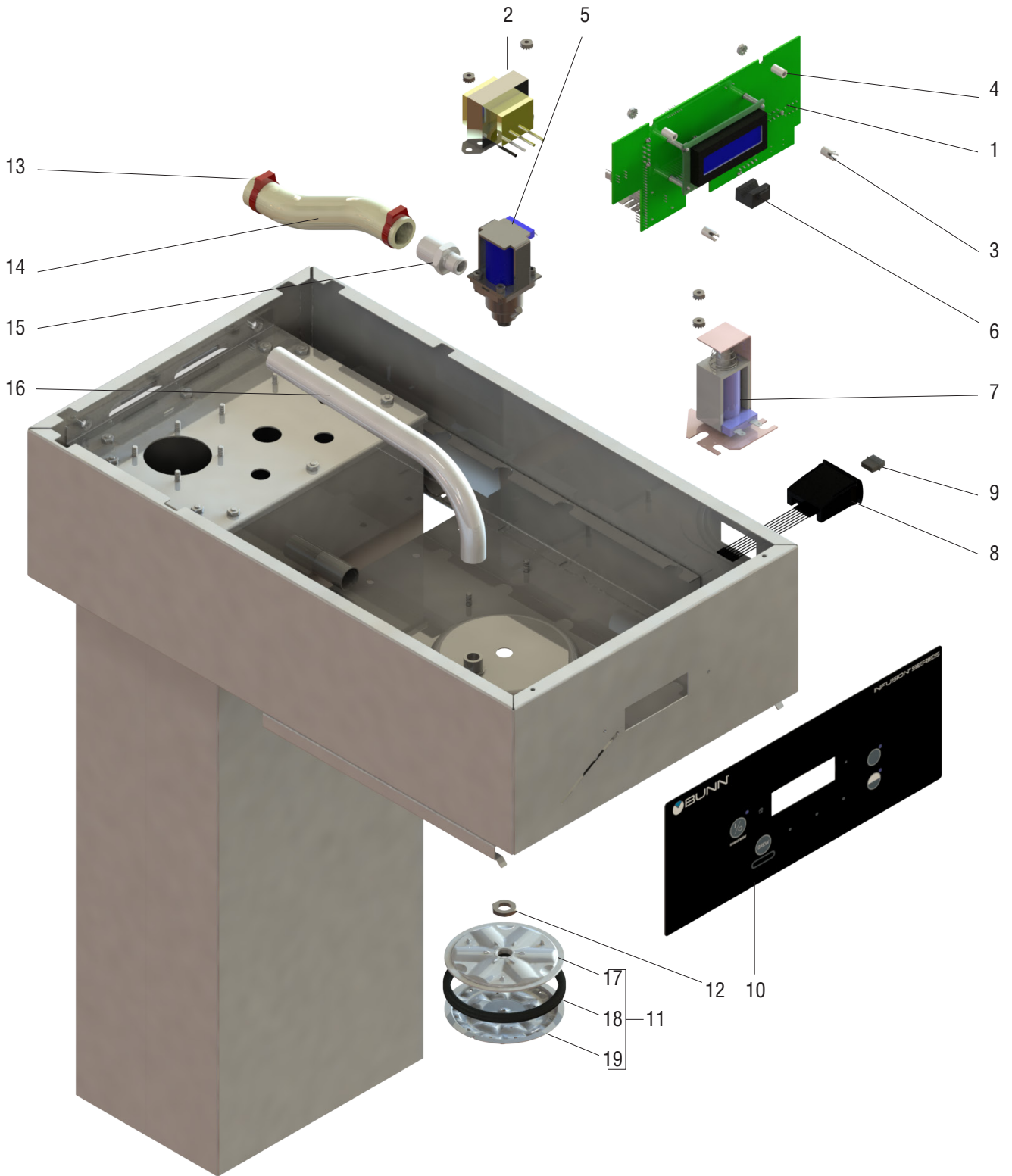
30	11707.1001	-	Tube .25" ID x 3' (Use as required)
	11707.1002	-	Tube .25" ID x 10' (Use as required)
	11707.1004	-	Tube .25" ID x 250' (Use as required)
31	20976.1000	-	Tube, .375" ID x 1' (Use as required)
	20976.1001	-	Tube, .375" ID x 3' (Use as required)
	20976.1002	-	Tube, .375" ID x 10' (Use as required)
	20976.1004	-	Tube, .375" ID x 250' (Use as required)
32	28526.1000	-	Tube, .3125" ID x 1' (Use as required)
	28526.1001	-	Tube, .3125" ID x 3' (Use as required)
	28526.1002	-	Tube, .3125" ID x 5' (Use as required)
	28526.1003	-	Tube, .3125" ID x 10' (Use as required)
	28526.1004	-	Tube, .3125" ID x 50' (Use as required)
33	34325.1000	-	Tubing, Braided .375" ID x 1' (Use as required)
	34325.1001	-	Tubing, Braided .375" ID x 3' (Use as required)
	34325.1002	-	Tubing, Braided .375" ID x 10' (Use as required)
34	47438.0003	1	Lead Assembly, Limit to Triac

* Indicates the part number listed is for reference only. See DESCRIPTION for possible service replacement.



UPPER COMPONENTS

IC3-DBC



UPPER COMPONENTS

ITEM	PART NO.	QTY.	DESCRIPTION
1	45787.1070	1	CBA
	00973.0000	2	Keys Nut #6-32
2	34307.1001	1	Transformer
	00970.0000	2	Keys Nut #8-32
3	29081.0000	2	Spacer, #6 x .375"
4	01533.0011	2	Spacer, .171" I.D. x .375"
5	26846.0000	1	Valve Assembly, Sprayhead 120V (Discontinued, use 56771.0000)
	11517.0008	-	Repair Kit (Includes plunger, spring & diaphragm)
	23255.0000	-	Diaphragm Only
	23254.0000	4	Screw
	23256.0000	1	Spacer Plate
	56771.0000	1	Valve Assembly, Sprayhead 120V
	56815.0000	-	Repair Kit (Includes plunger, spring & diaphragm)
	56816.0000	-	Diaphragm Only
	22305.0001	1	Coil 120VAC (used in both styles)
	6	36366.0000	1
7	35952.1003	1	Solenoid, Funnel Lock 120VDC
8	48455.0000	1	Receptacle, USB
9	48456.0000	1	Plug, Filler
10	46849.0001	1	Membrane Switch
11	40670.1222	1	Sprayhead
12	01075.0000	1	Nut, Hex .438-20
13	12422.0008	2	Clamp SNP-22
14		1	Tube, Silicone 3/4" ID x 7" (Order # 23, cut as needed)
15	34956.0000	1	Fitting .25" NPTF Hose -.75" ID
16		1	Tube, Silicone 1/2" ID x 11" (Order # 24, cut as needed)
17	52112.0003	1	Back, Sprayhead
18	34868.0000	1	Seal, Sprayhead
19	43920.0005	1	Sprayhead, 17 Hole
The following items are not illustrated			
20	48612.0001	1	Wiring Harness, Main
21	44079.0001	1	Wiring Harness, Flow Meter to CBA
22	26858.0000	1	Power Cord, 10/4
23	35052.1007	-	Tube .50" ID x 3 Feet (Use as required)
	35052.1050	-	Tube .50" ID x 50 Feet (Use as required)
24	32591.1001	-	Tube .50" ID x 1 Foot (Use as required)
	32591.1002	-	Tube .50" ID x 3 Feet (Use as required)
	32591.1003	-	Tube .50" ID x 10 Feet (Use as required)
	32591.1004	-	Tube .50" ID x 250 Feet (Use as required)

* Indicates the part number listed is for reference only. See DESCRIPTION for possible service replacement.



FUNNEL

IC3-DBC



FUNNEL

ITEM	PART NO.	QTY.	DESCRIPTION
1	45845.0002	1	Funnel Assembly (Includes items 2 thru 9)
2	39372.0006	1	Basket
3		1	Funnel (Order item 1)
4	03408.0004	1	Decal, WARNING REMOVE FUNNEL SLOWLY
5	43028.1000	2	Handle, Funnel (Includes Item 6)
6	12499.0002	2	Screw, Round Head .25"-20 x 1.50"
7	03409.0004	1	Decal, WARNING HOT LIQUID
8	32139.0000	1	Insert, Male
9	32140.0000	1	Insert, Female

See also item 10

The following items are not illustrated

10	01031.0001	-	Kit, Funnel Tip (Includes both inserts)
----	------------	---	---

* Indicates the part number listed is for reference only. See DESCRIPTION for possible service replacement.