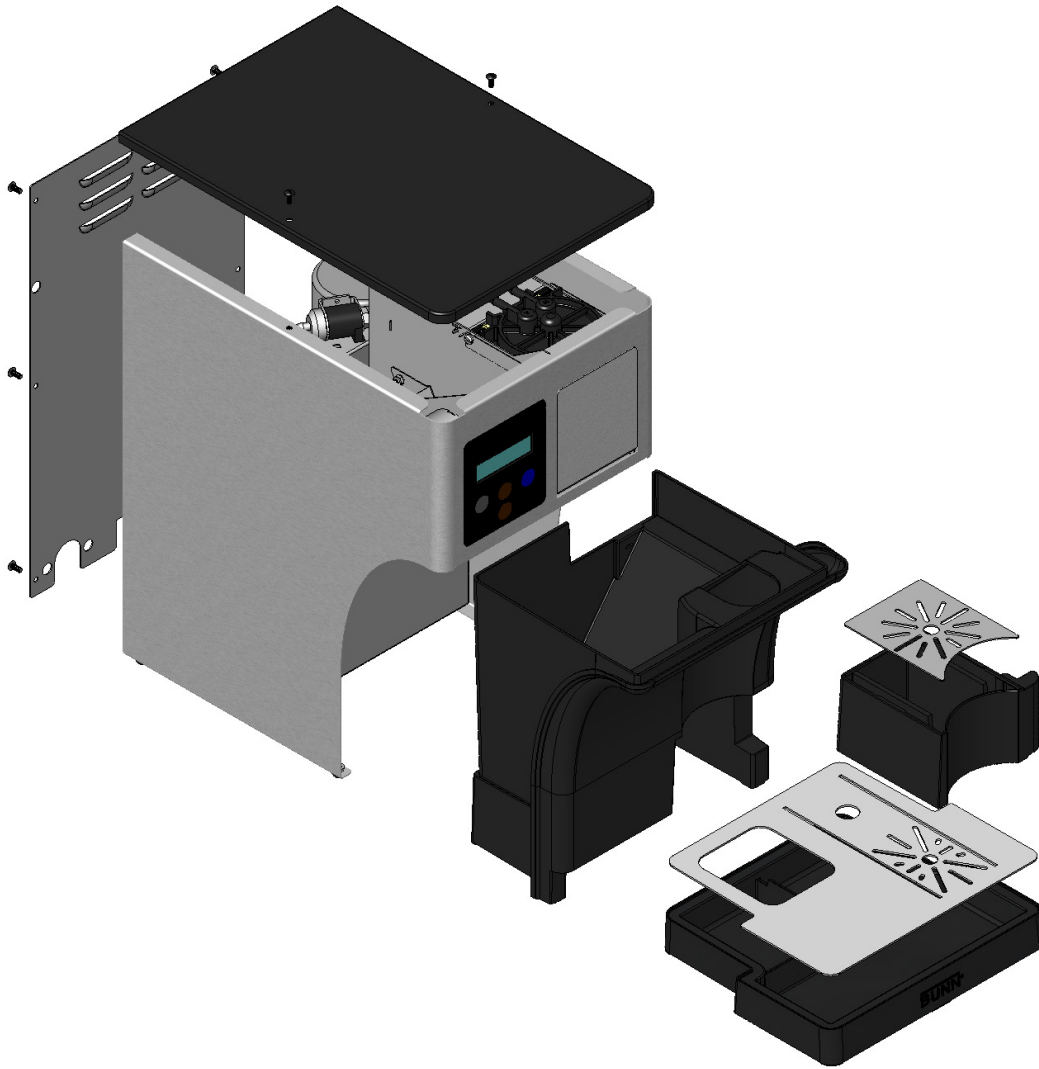


BUNN®

AutoPOD™
BREWER



ILLUSTRATED PARTS CATALOG

Designs, materials, weights, specifications, and dimensions for equipment or replacement parts are subject to change without notice.

BUNN-O-MATIC CORPORATION

POST OFFICE BOX 3227

SPRINGFIELD, ILLINOIS 62708-3227

PHONE: (217) 529-6601 FAX: (217) 529-6644



BUNN-O-MATIC COMMERCIAL PRODUCT WARRANTY

Bunn-O-Matic Corp. ("BUNN") warrants equipment manufactured by it as follows:

- 1) All equipment other than as specified below: 2 years parts and 1 year labor.
- 2) Electronic circuit and/or control boards: parts and labor for 3 years.
- 3) Compressors on refrigeration equipment: 5 years parts and 1 year labor.
- 4) Grinding burrs on coffee grinding equipment to grind coffee to meet original factory screen sieve analysis: parts and labor for 3 years or 30,000 pounds of coffee, whichever comes first.

These warranty periods run from the date of installation BUNN warrants that the equipment manufactured by it will be commercially free of defects in material and workmanship existing at the time of manufacture and appearing within the applicable warranty period. This warranty does not apply to any equipment, component or part that was not manufactured by BUNN or that, in BUNN's judgment, has been affected by misuse, neglect, alteration, improper installation or operation, improper maintenance or repair, damage or casualty. This warranty is conditioned on the Buyer 1) giving BUNN prompt notice of any claim to be made under this warranty by telephone at (217) 529-6601 or by writing to Post Office Box 3227, Springfield, Illinois 62708-3227; 2) if requested by BUNN, shipping the defective equipment prepaid to an authorized BUNN service location; and 3) receiving prior authorization from BUNN that the defective equipment is under warranty.

THE FOREGOING WARRANTY IS EXCLUSIVE AND IS IN LIEU OF ANY OTHER WARRANTY, WRITTEN OR ORAL, EXPRESS OR IMPLIED, INCLUDING, BUT NOT LIMITED TO, ANY IMPLIED WARRANTY OF EITHER MERCHANTABILITY OR FITNESS FOR A PARTICULAR PURPOSE. The agents, dealers or employees of BUNN are not authorized to make modifications to this warranty or to make additional warranties that are binding on BUNN. Accordingly, statements by such individuals, whether oral or written, do not constitute warranties and should not be relied upon.

If BUNN determines in its sole discretion that the equipment does not conform to the warranty, BUNN, at its exclusive option while the equipment is under warranty, shall either 1) provide at no charge replacement parts and/or labor (during the applicable parts and labor warranty periods specified above) to repair the defective components, provided that this repair is done by a BUNN Authorized Service Representative; or 2) shall replace the equipment or refund the purchase price for the equipment.

THE BUYER'S REMEDY AGAINST BUNN FOR THE BREACH OF ANY OBLIGATION ARISING OUT OF THE SALE OF THIS EQUIPMENT, WHETHER DERIVED FROM WARRANTY OR OTHERWISE, SHALL BE LIMITED, AT BUNN'S SOLE OPTION AS SPECIFIED HEREIN, TO REPAIR, REPLACEMENT OR REFUND.

In no event shall BUNN be liable for any other damage or loss, including, but not limited to, lost profits, lost sales, loss of use of equipment, claims of Buyer's customers, cost of capital, cost of down time, cost of substitute equipment, facilities or services, or any other special, incidental or consequential damages.

BrewWISE, BrewLOGIC, BrewWIZARD, BUNN Gourmet Ice, BUNN Pour-O-Matic, BUNN, Bunn-OMatic, Bunn-O-Matic, BUNNlink, BUNNserve, BUNN Espresso, DBC, Dr. Brew, Dual, EasyClear, EasyGard, Easy Pour, FlavorGard, Gourmet Ice, Gourmet Juice, High Intensity, IMIX, Infusion Series, Quality Beverage Equipment Worldwide, The Mark of Quality in Beverage Equipment Worldwide, My Café, PowerLogic, Safety-Fresh, Scale-Pro, Single, Smart Funnel, Smart Hopper, SmartWAVE, Soft Heat, SplashGard, System III, ThermoFresh, 392, AutoPOD, AXIOM, Beverage Profit Calculator, Beverage Bar Creator, BrewMETER, BUNNSERVE, BUNNsource, Coffee At Its Best, Cool Froth, Digital Brewer Control, Intellisteam, Nothing Brews Like a BUNN, Pouring Profits, Pulse Wave, Signature Series, Silver Series, Smart Heat, Tea At Its Best, The Horizontal Red Line, Titan, Ultra, are either trademarks or registered trademarks of Bunn-O-Matic Corporation.

TABLE OF CONTENTS

COVERS AND PANELS4

DRIP TRAY AND BIN6

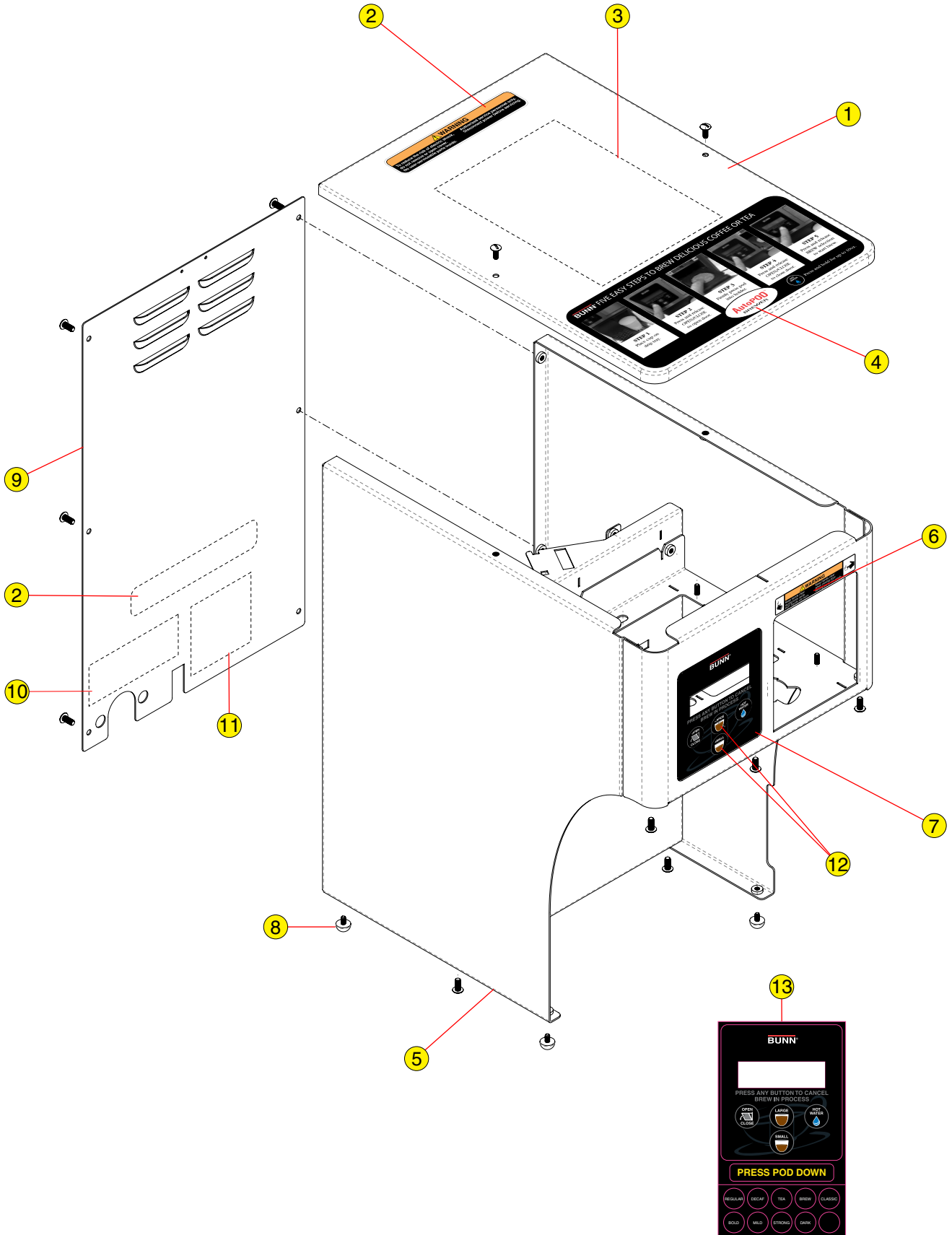
EJECTOR ASSEMBLY8

TANKS AND RELATED COMPONENTS 10

ELECTRICAL COMPONENTS.....12

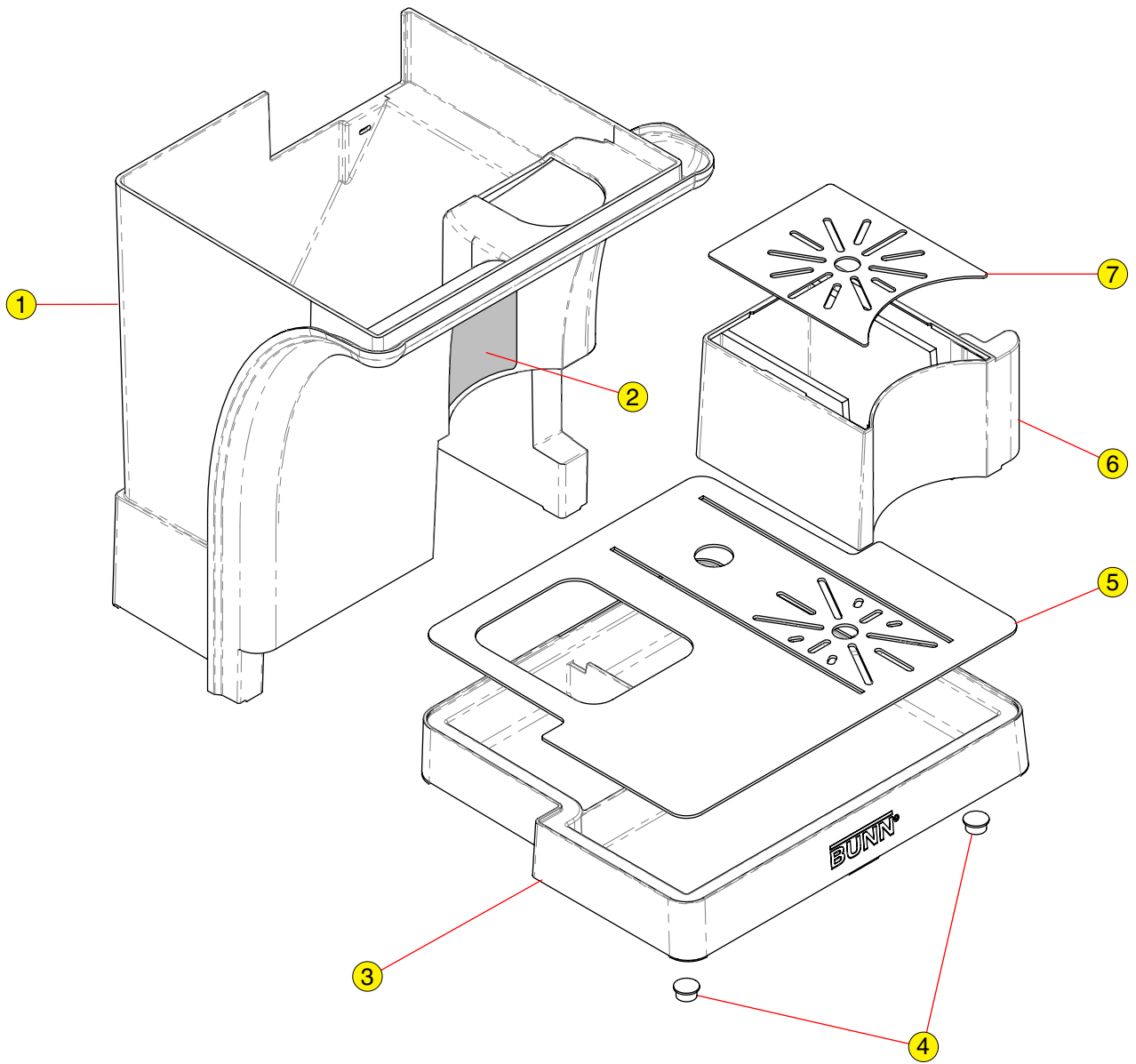
NUMERICAL INDEX 14

Fraction	Decimal	Fraction	Decimal
1/16	0.063	9/16	0.563
1/8	0.125	5/8	0.625
3/16	0.188	11/16	0.688
1/4	0.250	3/4	0.750
5/16	0.313	13/16	0.813
3/8	0.375	7/8	0.875
7/16	0.438	15/16	0.938
1/2	0.500	1	1.000

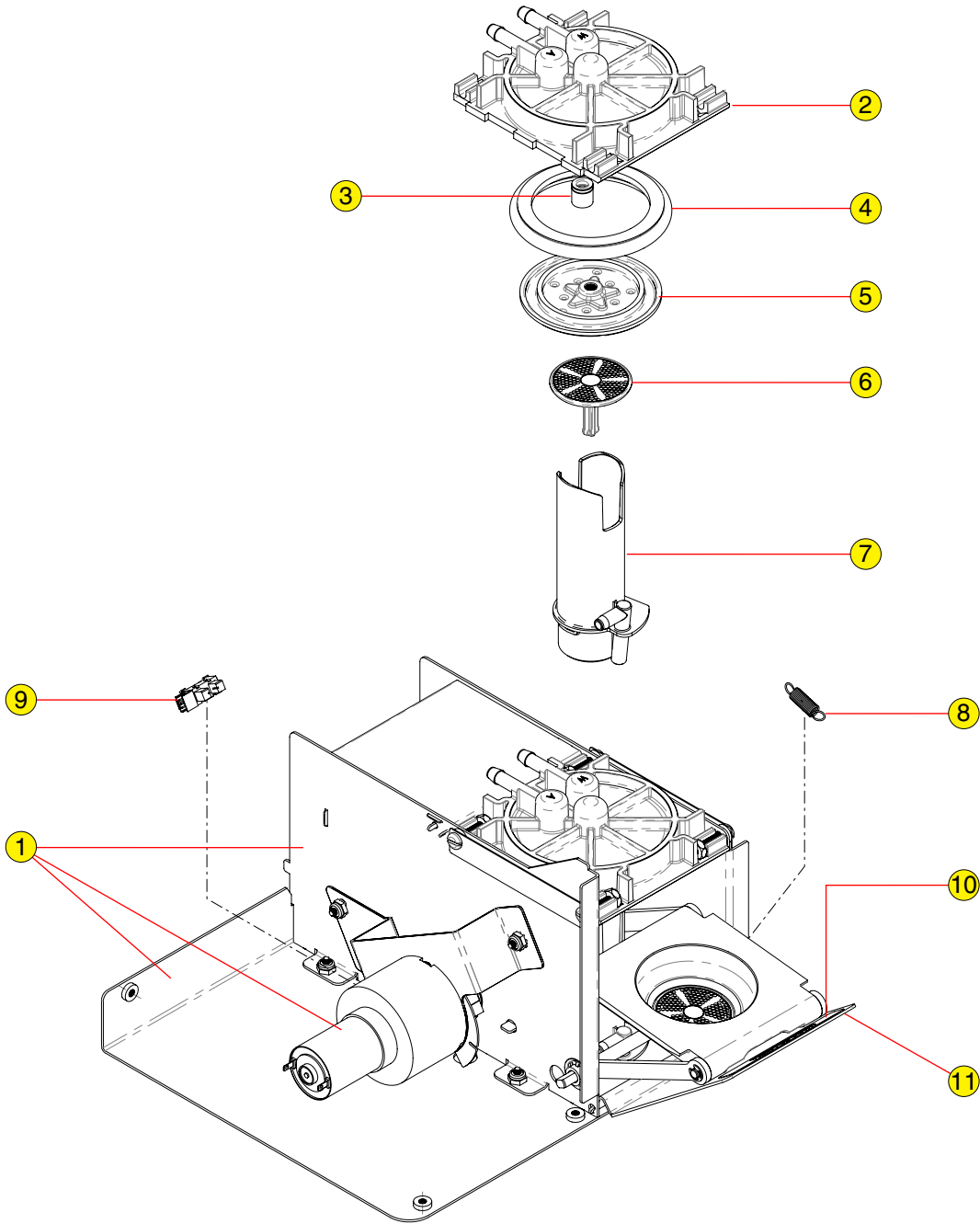


COVERS AND PANELS

ITEM	PART NO.	QTY.	DESCRIPTION
1	40598.1000	1	Cover, Top (Includes Item # 2)
	01382.0002	2	Screw,Trh Sst Blk Oxd 6-32x.38
2	37881.0002	1	Decal, No User Serviceable Parts
3	41164.0000	1	Schematic 120v
4	41176.0000	-	Decal, Removable 5-Step
5	41234.0000	1	Housing
	01382.0000	5	Screw, Trh Sltd Sst 6-32x.38
6	41177.0000	1	Decal, Warning-Pinch/Hot Liquid
7	41145.0001*	1	Decal, Switch (Not Available Order # 13)
8	40602.0000	4	Bumper
9	40664.1000	1	Cover, Back (Includes Item # 2)
	01382.0000	6	Screw, Trh Sltd Sst 6-32x.38
10	00656.0000	1	Decal,Comply To Plumbing Code
11	00986.0000	1	Decal, Warning Electrical
12	41145.0003*	1	Decals, Flavor Labels (Not Available Order # 13)
13	41145.0000	1	Decal Sheet, Switch/Flavor Labels



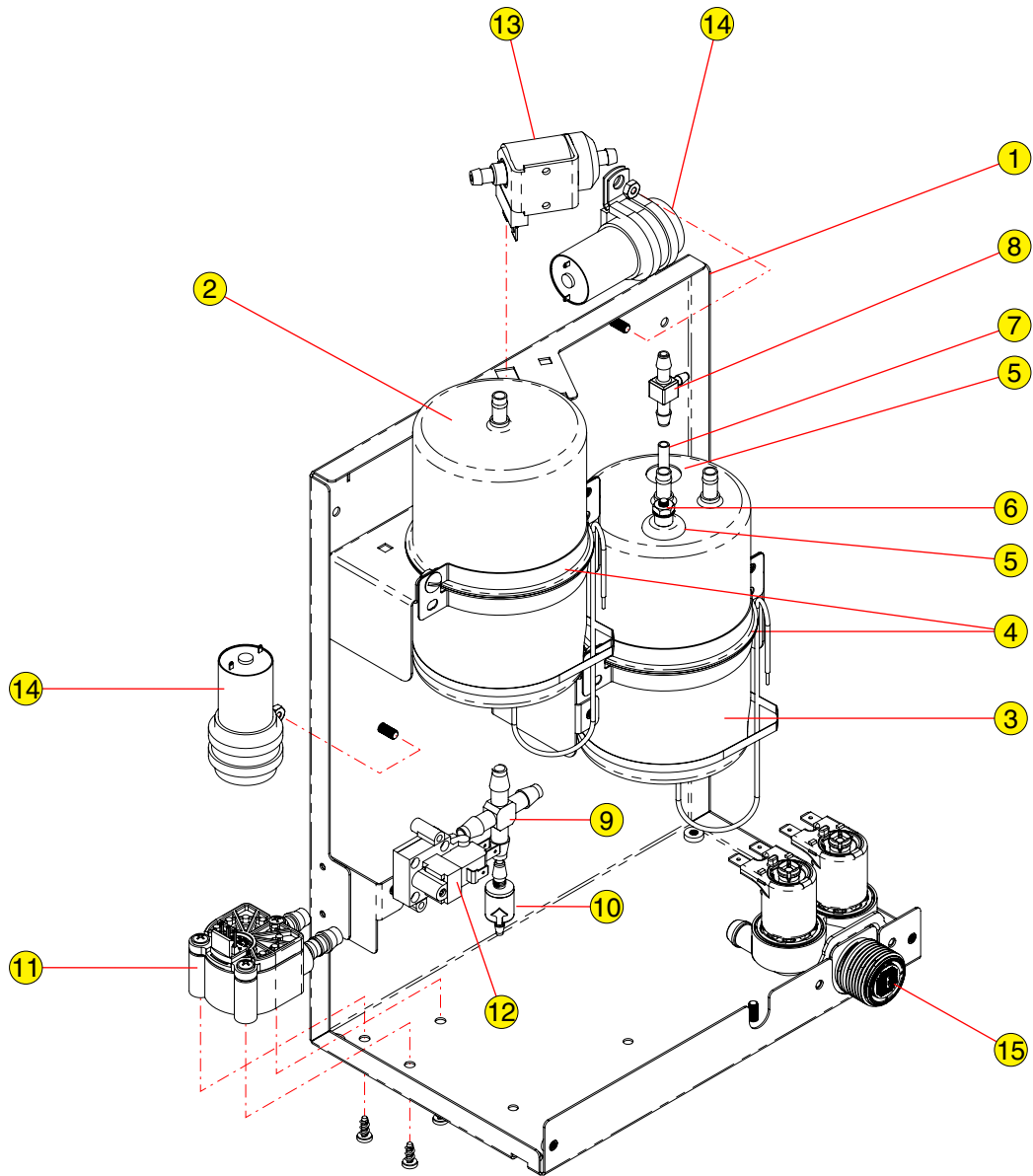
DRIP TRAY AND BIN			
ITEM	PART NO.	QTY.	DESCRIPTION
1	41156.1000	1	Bin Assembly (Includes Item # 2)
2	39474.0001	1	Decal, Cup Placement
3	41166.1000	1	Drip Tray Assy, With Feet (Includes # 4)
4	34466.0000	2	Foot, Rubber
5	40597.0000	1	Grate, Drip Tray
6	40595.0000	1	Booster
7	40646.0000	1	Grate, Booster



**EJECTOR ASSEMBLY
DESCRIPTION**

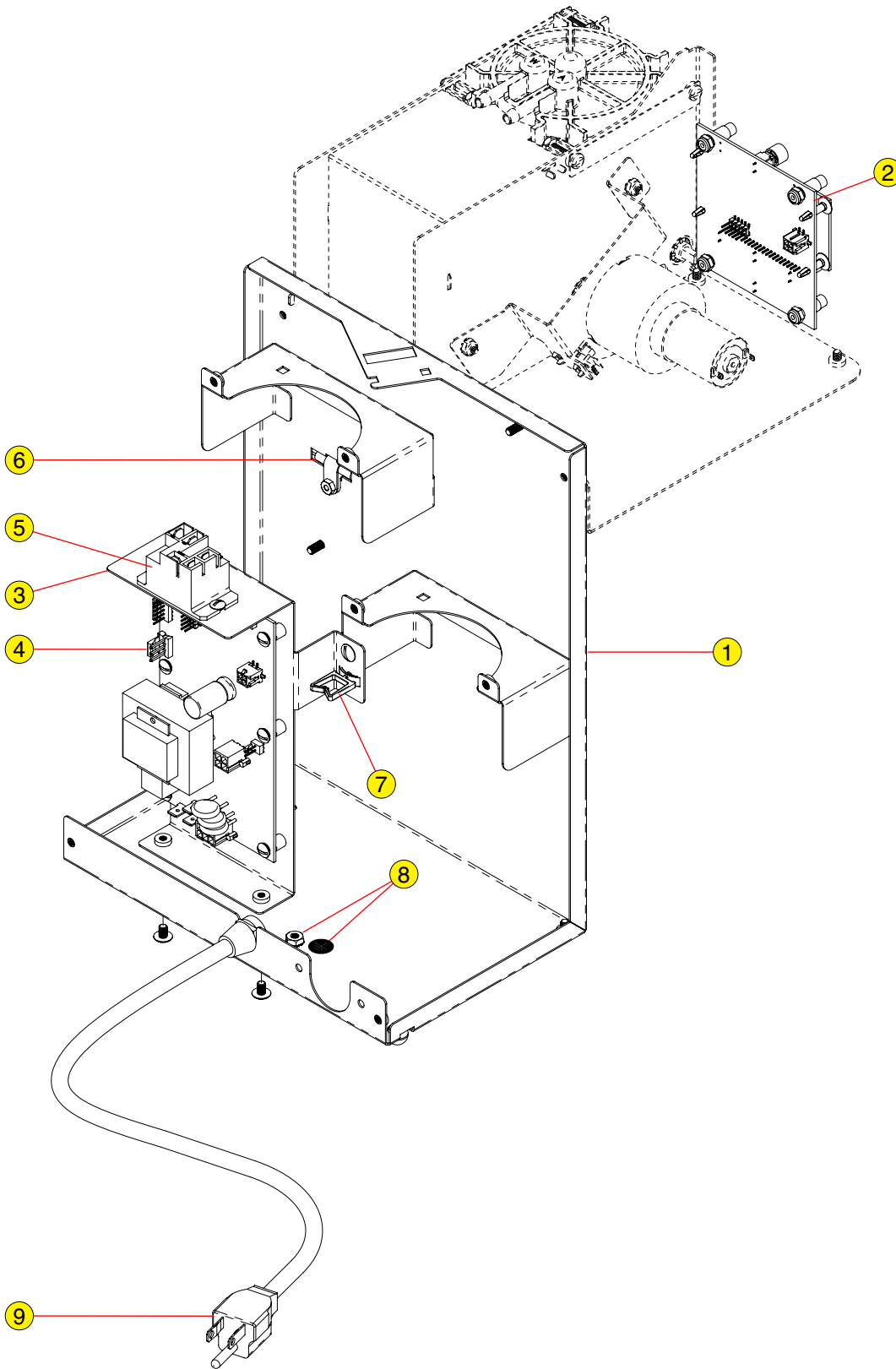
ITEM	PART NO.	QTY.	DESCRIPTION
1	40603.1000	1	Ejector Assy (Includes Items 2 - 11)
	01382.0000	5	Screw, Trh Sltd Sst 6-32x.38
2	40590.0000	1	Sprayhead Assy.
	01370.0002	4	Screw, Pnh Sltd Sst 8-32x.88
	00908.0000	4	Nut, Hex Sst 8-32
	20616.0000	4	Washer,Blk Nyl-.194 Idx.093 Thk
3	36378.0001	1	Valve, Check 2.5 Psi
4	36078.0000	1	Seal, Sprayhead
5	36384.0000	1	Sprayhead
6	40806.1000	1	Pod Screen Assy
7	40593.0000	1	Tube, Stream Guide
8	41038.0000	1	Spring, Ext.
9	40601.0000	1	Photocell
10	41145.0002*	1	Decal, Press Pod Down (Not Available Order # 13 On Page 4/5)
11	40585.1000	1	Door Kit (Includes Spring, Decal, and Instructions)

* Indicates the part number listed is for reference only. See DESCRIPTION for possible service replacement.



TANKS AND RELATED COMPONENTS

ITEM	PART NO.	QTY.	DESCRIPTION
1	40663.1000	1	Panel,
	01382.0000	5	Screw, Trh Sltd Sst 6-32x.38
2	41023.1000	1	Brew Tank Assy.
3	41021.1000	1	Hot Water Tank Assy.
4	40816.0000	2	Strap, Tank Retaining
	01308.0000	4	Screw, Trh Sltd Sst 6-32x.25
5	33201.0000	2	Grommet
6	40288.1000	1	Level Probe Kit
7	41101.0000	1	Tube, SST
8	41089.0000	1	Tee
9	41088.0000	1	Connector, .25 Barbed Cross
10	41505.0000	1	Check Valve
11	40752.0000	1	Flow Meter
	41103.0000	3	Screw, Pnh Phh #8 X .38
12	40820.0000	1	Pressure Switch
	01304.0000	1	Screw, Pnh Sltd-Sst #4-40 X.75
13	39984.1000	1	Vent Valve, W/Cable Ties
14	38316.1000	2	Air Pump Assy.
	40935.0000	2	Clamp
	00906.0000	8	Nut # 6-32
15	41133.1000	1	Inlet Valve Assy.
	32283.0000	2	Screw, Sst Sltd Pnh M4 X 6mm
The Following Items Are Not Illustrated			
16	41386.1000	1	Tubing Kit, Brew (Includes # 9, 10, all Hoses, Clamps and Instructions)
17	41387.1000	1	Tubing Kit, Hot Water (Includes # 8, all Hoses, Clamps and Instructions)



ELECTRICAL COMPONENTS

ITEM	PART NO.	QTY.	DESCRIPTION
1	40663.1000	1	Panel Weldment, Component
	01382.0000	6	Screw, Trh Sltd Sst 6-32x.38
2	40151.1000	1	CBA Display Assy. RoHS (Includes Spacers and Nuts)
3	40868.0000	1	Bra410cket Wldmt, Cb Mounting
	01308.0000	3	Screw, Trh Sltd Sst 6-32x.25
4	40150.1000	1	Cba, Main RoHS (Includes Spacers and Screws)
5	40819.0000	1	Relay, Heater
	01347.0000	2	Screw, Trh Serr Sst 6-32x.38
6	36390.0000*	1	Reed Switch (Not Available, Order Harness 41108.0000)
	05920.0000	1	Clamp, Cable
	00906.0000	1	Nut, Hex Sst 6-32
7	40934.0000	1	Saddle, Wire
8	41089.0000	1	Decal, Ground
	00970.0000	1	Nut, Keps #8-32
9	36381.0005	1	Power Cord, 120V

The Following Items Are Not Illustrated

10	40352.0000	1	Lead Assy, Red 16awg X 15.0lg
11	40353.0000	1	Lead Assy, Blu/Blk 16awgx 17lg
12	40354.0000	1	Wiring Harness, Cb/Motor
13	40355.0000	1	Wiring Harness, Cb/Display Module
14	40357.0000	1	Wiring Harness, Cb/Flow Meter
15	41108.0000	1	Wiring Harness, Sensor/Tank Refill (Integrated Reed Switch)
16	41109.0000	1	Wiring Harness, Hot Water Air Pump
17	41110.0000	1	Wiring Harness, Index Sensor/Pressure Switch
18	41111.0000	1	Wiring Harness, Heater Relay/Air Solenoid
19	41112.0000	1	Lead Assy, Blk 16awg X 5.0lg

NUMERICAL INDEX

PART NO.	PAGE NO.	PART NO.	PAGE NO.	PART NO.	PAGE NO.	PART NO.	PAGE NO.
00656.0000.....	5	40816.0000.....	11				
00906.0000.....	11	40819.0000.....	13				
00906.0000.....	13	40820.0000.....	11				
00908.0000.....	9	40868.0000.....	13				
00970.0000.....	13	40934.0000.....	13				
00986.0000.....	5	40935.0000.....	11				
01304.0000.....	11	41021.1000.....	11				
01308.0000.....	11	41023.1000.....	11				
01308.0000.....	13	41038.0000.....	9				
01347.0000.....	13	41088.0000.....	11				
01370.0002.....	9	41089.0000.....	11				
01382.0000.....	11	41089.0000.....	13				
01382.0000.....	13	41101.0000.....	11				
01382.0000.....	5	41103.0000.....	11				
01382.0000.....	5	41108.0000.....	13				
01382.0000.....	9	41109.0000.....	13				
01382.0002.....	5	41110.0000.....	13				
05920.0000.....	13	41111.0000.....	13				
20616.0000.....	9	41112.0000.....	13				
32283.0000.....	11	41133.1000.....	11				
33201.0000.....	11	41145.0000.....	5				
34466.0000.....	7	41145.0001.....	5				
36078.0000.....	9	41145.0002.....	9				
36378.0001.....	9	41145.0003.....	5				
36381.0005.....	13	41156.1000.....	7				
36384.0000.....	9	41164.0000.....	5				
36390.0000.....	13	41166.1000.....	7				
37881.0002.....	5	41176.0000.....	5				
38316.1000.....	11	41177.0000.....	5				
39474.0001.....	7	41234.0000.....	5				
39984.1000.....	11	41386.1000.....	11				
40150.1000.....	13	41387.1000.....	11				
40151.1000.....	13	41505.0000.....	11				
40288.1000.....	11						
40352.0000.....	13						
40353.0000.....	13						
40354.0000.....	13						
40355.0000.....	13						
40357.0000.....	13						
40585.1000.....	9						
40590.0000.....	9						
40593.0000.....	9						
40595.0000.....	7						
40597.0000.....	7						
40598.1000.....	5						
40601.0000.....	9						
40602.0000.....	5						
40603.1000.....	9						
40646.0000.....	7						
40663.1000.....	11						
40663.1000.....	13						
40664.1000.....	5						
40752.0000.....	11						
40806.1000.....	9						

