

# BUNN®

# IMIX®-5S+



## ILLUSTRATED PARTS CATALOG

Designs, materials, weights, specifications, and dimensions for equipment or replacement parts are subject to change without notice.

**BUNN-O-MATIC CORPORATION**

POST OFFICE BOX 3227

SPRINGFIELD, ILLINOIS 62708-3227

PHONE: (217) 529-6601 FAX: (217) 529-6644



## BUNN-O-MATIC COMMERCIAL PRODUCT WARRANTY

Bunn-O-Matic Corp. (“BUNN”) warrants equipment manufactured by it as follows:

- 1) All equipment other than as specified below: 2 years parts and 1 year labor.
- 2) Electronic circuit and/or control boards: parts and labor for 3 years.
- 3) Compressors on refrigeration equipment: 5 years parts and 1 year labor.
- 4) Grinding burrs on coffee grinding equipment to grind coffee to meet original factory screen sieve analysis: parts and labor for 3 years or 30,000 pounds of coffee, whichever comes first.

These warranty periods run from the date of installation BUNN warrants that the equipment manufactured by it will be commercially free of defects in material and workmanship existing at the time of manufacture and appearing within the applicable warranty period. This warranty does not apply to any equipment, component or part that was not manufactured by BUNN or that, in BUNN’s judgment, has been affected by misuse, neglect, alteration, improper installation or operation, improper maintenance or repair, damage or casualty. This warranty is conditioned on the Buyer 1) giving BUNN prompt notice of any claim to be made under this warranty by telephone at (217) 529-6601 or by writing to Post Office Box 3227, Springfield, Illinois 62708-3227; 2) if requested by BUNN, shipping the defective equipment prepaid to an authorized BUNN service location; and 3) receiving prior authorization from BUNN that the defective equipment is under warranty.

**THE FOREGOING WARRANTY IS EXCLUSIVE AND IS IN LIEU OF ANY OTHER WARRANTY, WRITTEN OR ORAL, EXPRESS OR IMPLIED, INCLUDING, BUT NOT LIMITED TO, ANY IMPLIED WARRANTY OF EITHER MERCHANTABILITY OR FITNESS FOR A PARTICULAR PURPOSE.** The agents, dealers or employees of BUNN are not authorized to make modifications to this warranty or to make additional warranties that are binding on BUNN. Accordingly, statements by such individuals, whether oral or written, do not constitute warranties and should not be relied upon.

If BUNN determines in its sole discretion that the equipment does not conform to the warranty, BUNN, at its exclusive option while the equipment is under warranty, shall either 1) provide at no charge replacement parts and/or labor (during the applicable parts and labor warranty periods specified above) to repair the defective components, provided that this repair is done by a BUNN Authorized Service Representative; or 2) shall replace the equipment or refund the purchase price for the equipment.

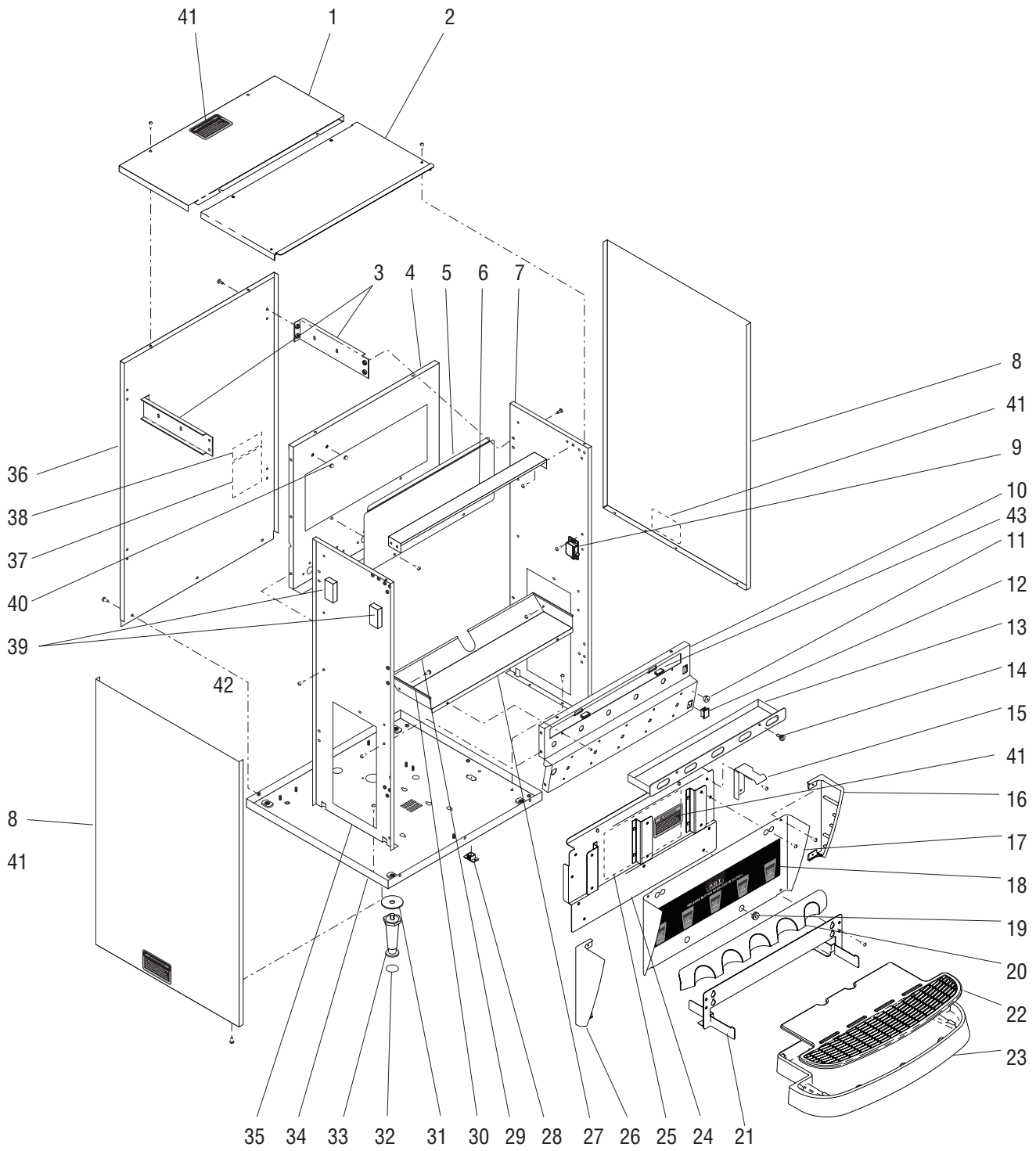
**THE BUYER’S REMEDY AGAINST BUNN FOR THE BREACH OF ANY OBLIGATION ARISING OUT OF THE SALE OF THIS EQUIPMENT, WHETHER DERIVED FROM WARRANTY OR OTHERWISE, SHALL BE LIMITED, AT BUNN’S SOLE OPTION AS SPECIFIED HEREIN, TO REPAIR, REPLACEMENT OR REFUND.**

In no event shall BUNN be liable for any other damage or loss, including, but not limited to, lost profits, lost sales, loss of use of equipment, claims of Buyer’s customers, cost of capital, cost of down time, cost of substitute equipment, facilities or services, or any other special, incidental or consequential damages.

392, AutoPOD, AXIOM, BrewLOGIC, BrewMETER, Brew Better Not Bitter, BrewWISE, BrewWIZARD, BUNN Espresso, BUNN Family Gourmet, BUNN Gourmet, BUNN Pour-O-Matic, BUNN, BUNN with the stylized red line, BUNNlink, Bunn-O-Matic, Bunn-O-Matic, BUNNserve, BUNNSERVE with the stylized wrench design, Cool Froth, DBC, Dr. Brew stylized Dr. design, Dual, Easy Pour, EasyClear, EasyGard, FlavorGard, Gourmet Ice, Gourmet Juice, High Intensity, iMIX, Infusion Series, Intellisteam, My Café, PowerLogic, Quality Beverage Equipment Worldwide, Respect Earth, Respect Earth with the stylized leaf and coffee cherry design, Safety-Fresh, savemycoffee.com, Scale-Pro, Silver Series, Single, Smart Funnel, Smart Hopper, SmartWAVE, Soft Heat, SplashGard, The Mark of Quality in Beverage Equipment Worldwide, ThermoFresh, A Partner You Can Count On, Air Brew, Air Infusion, Beverage Bar Creator, Beverage Profit Calculator, Brew better, not bitter., BUNNsource, Coffee At Its Best, Cyclonic Heating System, Digital Brewer Control, Nothing Brews Like a BUNN, Pouring Profits, Signature Series, Tea At Its Best, Phase Brew, The Horizontal Red Line, Titan, trifecta, Ultra, Velocity Brew are either trademarks or registered trademarks of Bunn-O-Matic Corporation.

# TABLE OF CONTENTS

TITLE	PAGE NO.
Auger Drive and Hopper Assembly .....	12
Covers, Panels and Drip Tray .....	4
Dispense Valves and Lines.....	20
Door, Lamp, Dispense Switches and Panels .....	8
Electrical Controls .....	22
Mixing/Whipper Chambers and Drive Motor .....	14
Numerical Index.....	24
Tank, Heater and Overflow Protection .....	16



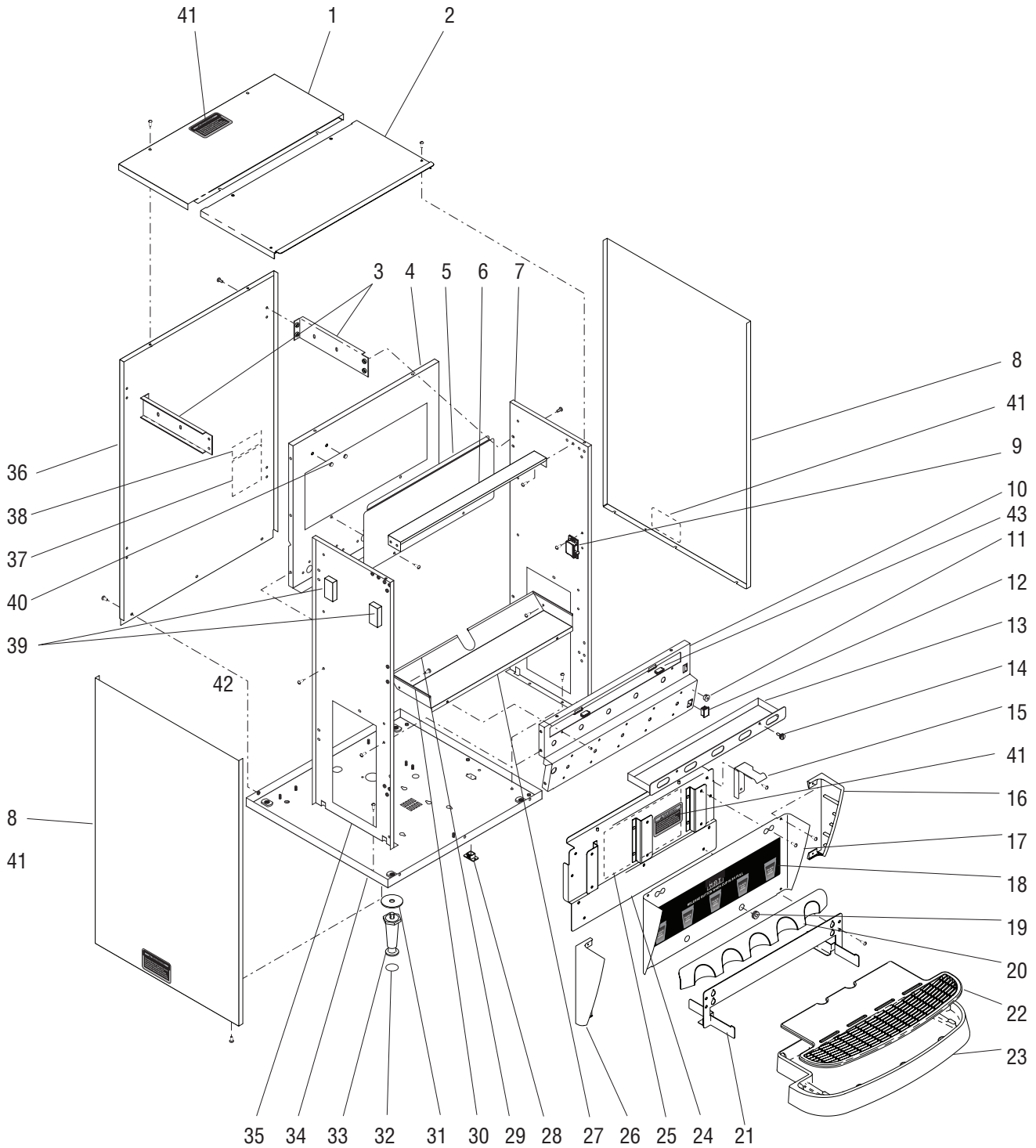
## COVERS, PANELS AND DRIP TRAY

ITEM	PART NO.	QTY.	DESCRIPTION
1	35916.1001	1	Cover, Top Rear - BLK (Includes item 41)
	01311.0003	2	Screw, Truss Head BLK #8-32 x .25"
2	35915.1001	1	Cover, Top Front - BLK
	01311.0003	2	Screw, Truss Head BLK #8-32 x .25"
	01382.0002	2	Screw, Truss Head BLK #6-32 x .375"
3	35926.0000	4	Bracket, Side Support
	01311.0001	8	Screw, Truss Head - Locking #8-32 x .25"
4	35927.0002	1	Panel, Inner Rear
	01311.0001	6	Screw, Truss Head - Locking #8-32 x .25"
5	36232.0000	1	Panel, Inner Access
	01311.0000	2	Screw, Truss Head #8-32 x .25"
6	36648.0000	1	Strap, Top Support
	01311.0001	4	Screw, Truss Head - Locking #8-32 x .25"
7	36230.0001	1	Panel, Inner Right
	01311.0001	2	Screw, Truss Head - Locking #8-32 x .25"
8	35912.0001	2	Panel, Side
	01311.0003	6	Screw, Truss Head BLK #8-32 x .25"
9	34666.0000	1	Catch, Door Latch
	02336.0000	2	Screw, Truss Head #4-40 x .375"
	01509.0001	2	Lockwasher, Int.-tooth #4
10	35929.0000	1	Panel, Whipper Motor (Early Models w/ screws)
	35929.0004	1	Panel, Whipper Motor (Early Models w/ magnets)
	01311.0001	8	Screw, Truss Head - Locking #8-32 x .25"
11	00669.0005	1	Plug, Hole .438" Nkl. Pltd.
12	38935.0000	1	Insert, Switch Hole
13	36235.0000*	1	Tray, Powder Box (Early Models w/ screws)
	36235.0002	1	Tray, Powder Box (Late Models w/ magnets)
14	37988.0000	2	Screw, Captive #10-32 x .50" (Early Models)
	34998.0000	2	E-Ring, Retaining .127" OD
15	36644.0000	1	Bracket, Door Locking (Right side)
	36644.0001	1	Bracket, Door Locking (Left side)
	01311.0001	2	Screw, Truss Head - Locking #8-32 x .25"
16	36743.0001	1	Cap, Splash Panel Right
	38044.0000	2	Screw, Pan Head Plastite #6 x .375"
17	37180.1000	1	Panel W/Decal, Splash (Includes items 20, 22, 23, 24, & 26)
	01311.0001	2	Screw, Truss Head - Locking #8-32 x .25"
18	28328.0010	1	Decal, Caution-Hot Liquid & Cup Placement
19	02536.0000	2	Grommet, Silicone .375" ID
20	36742.0000	1	Guide, Cup
21	37065.0000	1	Bracket, Drip Tray
	01311.0001	2	Screw, Truss Head - Locking #8-32 x .25"

(Continued)

\* Indicates the part number listed is for reference only. See DESCRIPTION for possible service replacement.

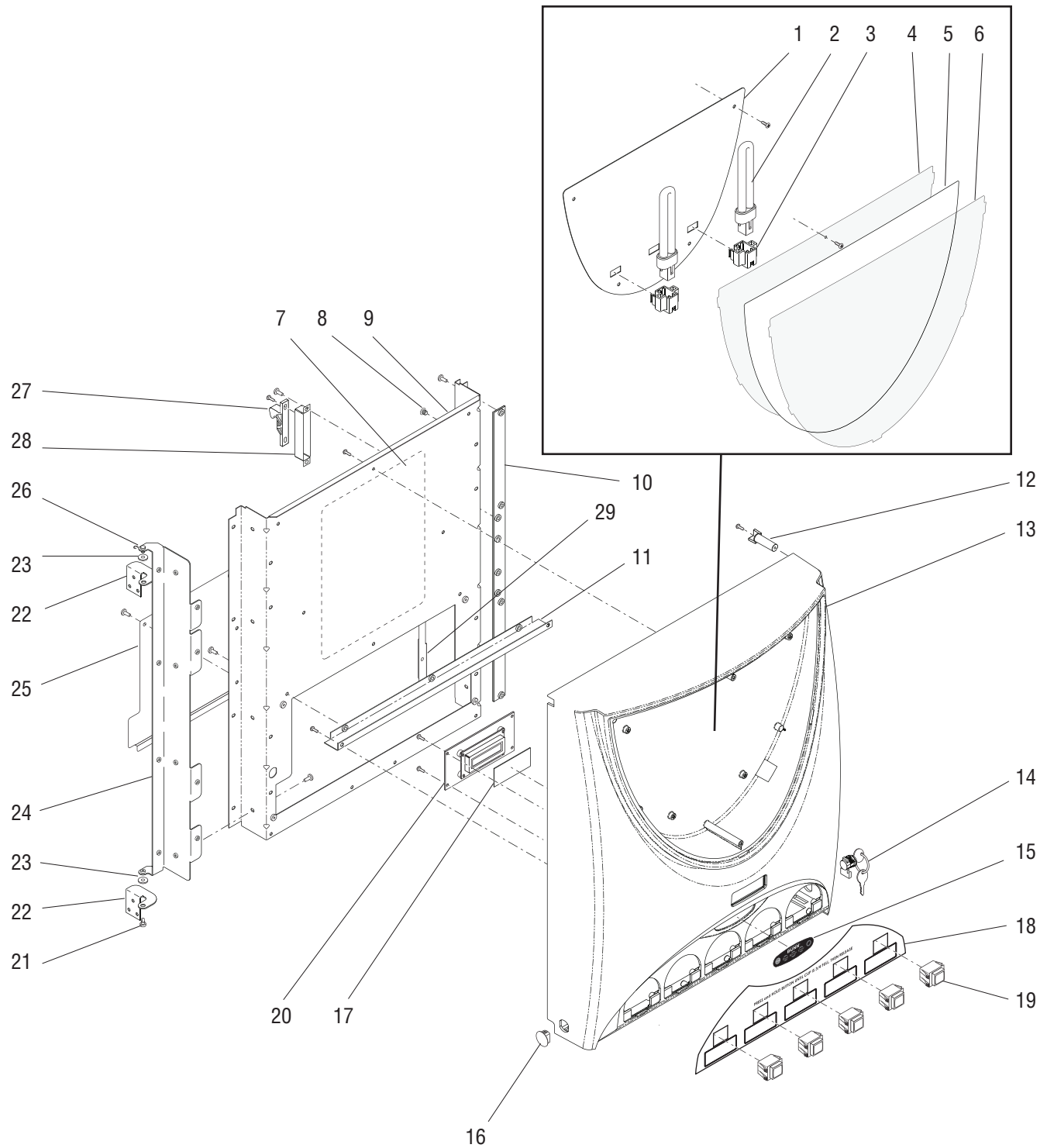
(Continued)



## COVERS, PANELS AND DRIP TRAY

ITEM	PART NO.	QTY.	DESCRIPTION
22	36739.0000	1	Cover, Drip Tray
23	36670.0000	1	Drip Tray
24	36224.1002	1	Panel, Lower Access (Includes item 25)
	01311.0000	3	Screw, Truss Head #8-32 x .25"
25	38986.0000	1	Schematic 120V
	38986.0001	1	Schematic 230V
26	36743.0000	1	Cap, Splash Panel Left
	38044.0000	2	Screw, Pan Head Plastite #6 x .375"
27	36240.0001	1	Shelf, Powder Box
	01311.0001	2	Screw, Truss Head - Locking #8-32 x .25"
	02336.0000	2	Screw, Truss Head #4-40 x .375"
28	36398.0000	1	Plug, Hole DB-9 (Early Models)
29	02434.0012*	2	Gasket, U-Channel 8.0" (Order item 45)
30	02434.0008*	2	Gasket, U-Channel 4.60" (Order item 45)
31	01526.0001	4	Washer, Flat .438" ID x 1.88" OD
32	03996.0000	4	Pad, Rubber 1.25" Dia. (Also see item 44)
33	26528.0000	4	Leg, 4.0" Adjustable (Also see item 44)
34	35924.0000	1	Panel, Bottom
35	36229.0001	1	Panel, Inner Left
	01311.0001	2	Screw, Truss Head - Locking #8-32 x .25"
36	35925.1001	1	Panel Assembly, Rear (Includes items 37 and 38)
	01311.0003	11	Screw, Truss Head BLK #8-32 x .25"
37	00831.0000	1	Decal, Warning-Electrical
38	00656.0001	1	Decal, Comply to Plumbing Code
39	36896.0000	4	Pad, Styro 1.0" x 2.0" x .5"
40	00619.0002	2	Plug, Hole .25" Dia.
41	37881.0000	4	Decal, No Serviceable Parts
42	00824.0000	1	Decal, Grounding
43	21436.0000	2	Magnetic Catch (Late Models)
43	13255.0003	-	Kit, Leg 4.0" Adjustable (Includes 4 each of items 32 and 33)
44	02434.1000	-	Gasket, U-Channel - 18" LG
	02434.1001	-	Gasket, U-Channel - 36" LG

\* Indicates the part number listed is for reference only. See DESCRIPTION for possible service replacement.





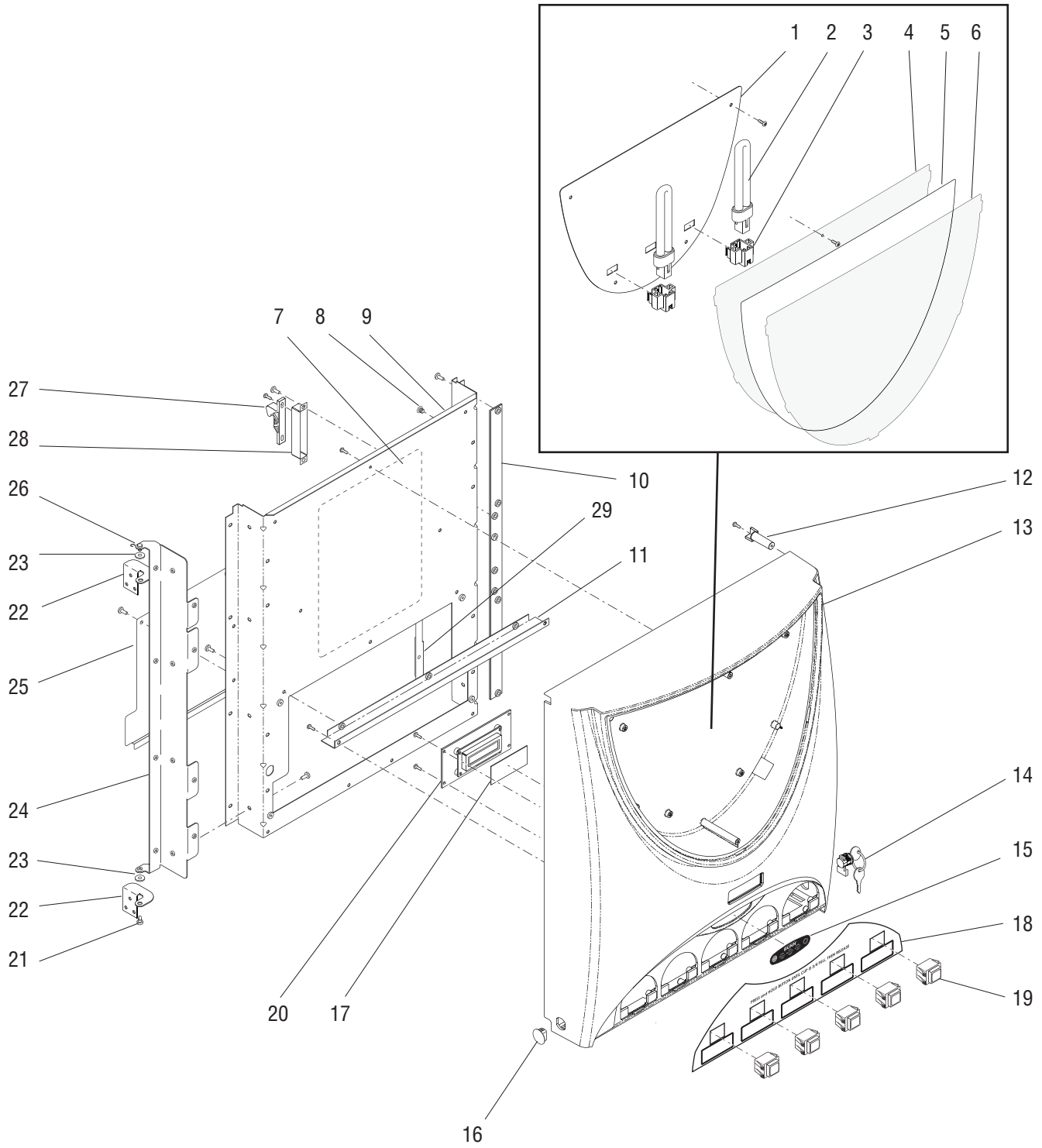
## DOOR, LAMP, DISPENSE SWITCHES AND PANELS

ITEM	PART NO.	QTY.	DESCRIPTION
1	36656.0001	1	Panel, Lamp
	01360.0002	4	Screw, Pan Head Plascrew #6 - 32 x .375"
2	32806.0000	2	Lamp, Fluorescent - 7 Watts
3	32807.0001	2	Lamp Holder, Fluorescent
4	36650.0000	1	Lens, Fixed
	02336.0000	2	Screw, Truss Head #4-40 x .375"
5	36768.0000	1	Display, Graphics
	36768.0005	1	Display, Iced Coffee Graphics
6	36662.0000	1	Lens, Removable
7	37254.0000	1	Decal, Cleaning
8	36149.0000	8	Fastener, Snap-in .197" Hole
9	36667.1000	1	Panel, Door - Upper (Includes item 7)(Right Hinged Doors)
	36667.1002	1	Panel, Door - Upper (Includes item 7)(Left Hinged Doors)
	01360.0002	10	Screw, Pan Head Plascrew #6 - 32 x .375"
	01311.0001	19	Screw, Truss Head Locking #8-32 x .25"
10	36658.0000	1	Flange, Door
11	36734.0000*	1	Bracket, Inner Panel
	01360.0002	2	Screw, Pan Head Plascrew #6 - 32 x .375"
12	36244.0000	1	Plug, Door Hinge
	01360.0002	1	Screw, Pan Head Plascrew #6 - 32 x .375"
13	37096.0000	1	Door
14	32863.0000	1	Keylock W/Keys, Door
	28095.0000	1	Key Set
15	36231.0000	1	Membrane Switch
16	00669.0004	1	Plug, .75" x .625" hole
17	37013.0000	1	Cover, LCD Door Lens
18	39046.0000	1	Switch Plate Assy.
19	28296.0002	5	Switch, Dispense
20	38832.1000	1	Circuit Board, Display
	01311.0000	4	Screw, Truss Head #8-32 x .25"
21	24457.0002	1	Screw, .25" Shoulder #8-32
22	36647.0000	2	Bracket, Hinge (Right side Hinge)
	36647.0001	2	Bracket, Hinge (Left side Hinge)
	01311.0001	6	Screw, Truss Head #8-32 x .25" Locking
23	34362.0000	2	Bushing, Hinge
24	36661.0002	1	Flange, Door Hinge (Left side Hinge)
	36661.0000	1	Flange, Door Hinge (Right side Hinge)

(Continued)

\* Indicates the part number listed is for reference only. See DESCRIPTION for possible service replacement.

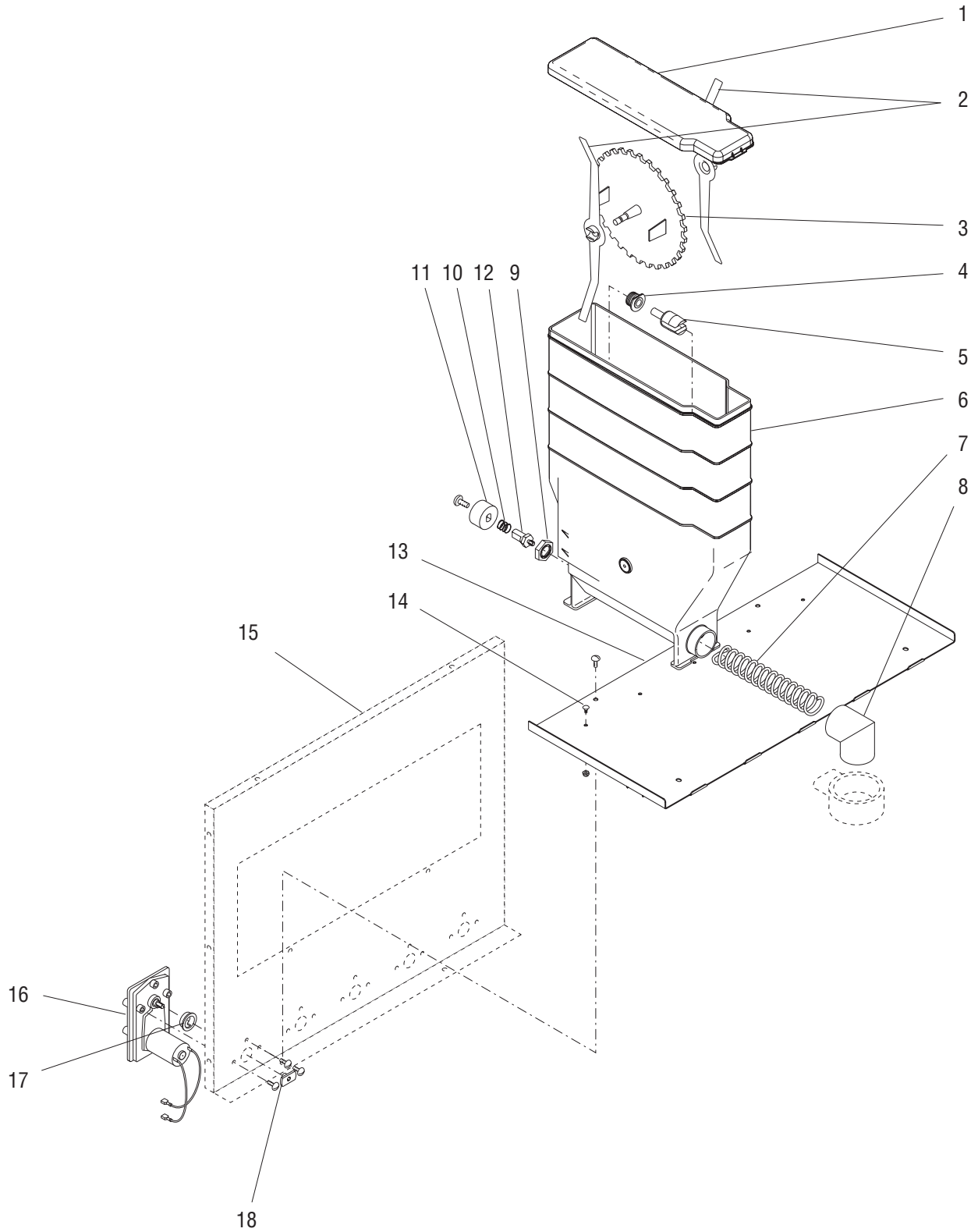
(Continued)



## DOOR, LAMP, DISPENSE SWITCHES AND PANELS

ITEM	PART NO.	QTY.	DESCRIPTION
25	36659.0000	1	Panel, Door - Lower (Right Hinged Doors)
	36659.0002	1	Panel, Door - Lower (Left Hinged Doors)
	01311.0000	4	Screw, Truss Head #8-32 x .25"
26	01403.0000	1	E-Ring, External .188" Shaft
27	34667.0000	1	Keeper, Door Latch
	02336.0000	2	Screw, Truss Head #4-40 x .375"
28	36669.0000	1	Bracket, Keeper Mounting
	01311.0001	2	Screw, Truss Head #8-32 x .25" Locking
29	40031.1000	1	Baffle Kit, Left Hand Hinge
	40031.1001	1	Baffle Kit, Right Hand Hinge
NOTE: The following items are not illustrated			
30	26444.0000	1	Bushing, Strain Relief
31	36888.0000	1	Wiring Harness, Door Interconnect 120V
32	36887.0001	1	Wiring Harness, Backlight
33	26537.0000	1	Decal, Flavors (Almond Amaretto, Cappuccino, French Vanilla, Hazelnut, Hot Chocolate and Raspberry Mocha)
	26537.0001	1	Decal, Flavors (Swiss Mocha, Mocha, Raspberry Vanilla, Irish Creme, Coffee and Original)
	26537.0003	1	Decal, Flavors (White Chocolate, Cinnamon Vanilla Nut, Decaf, Regular, French Vanilla and Hot Chocolate)
	26537.0039	1	Decal, Iced Coffee Flavors (Espresso Latte, Mocha Latte, Colombian, Dark Roast, Raspberry Coffee, Hazelnut Coffee, French Vanilla Latte, Caramel Latte, Chai Tea Latte, Horchatta)

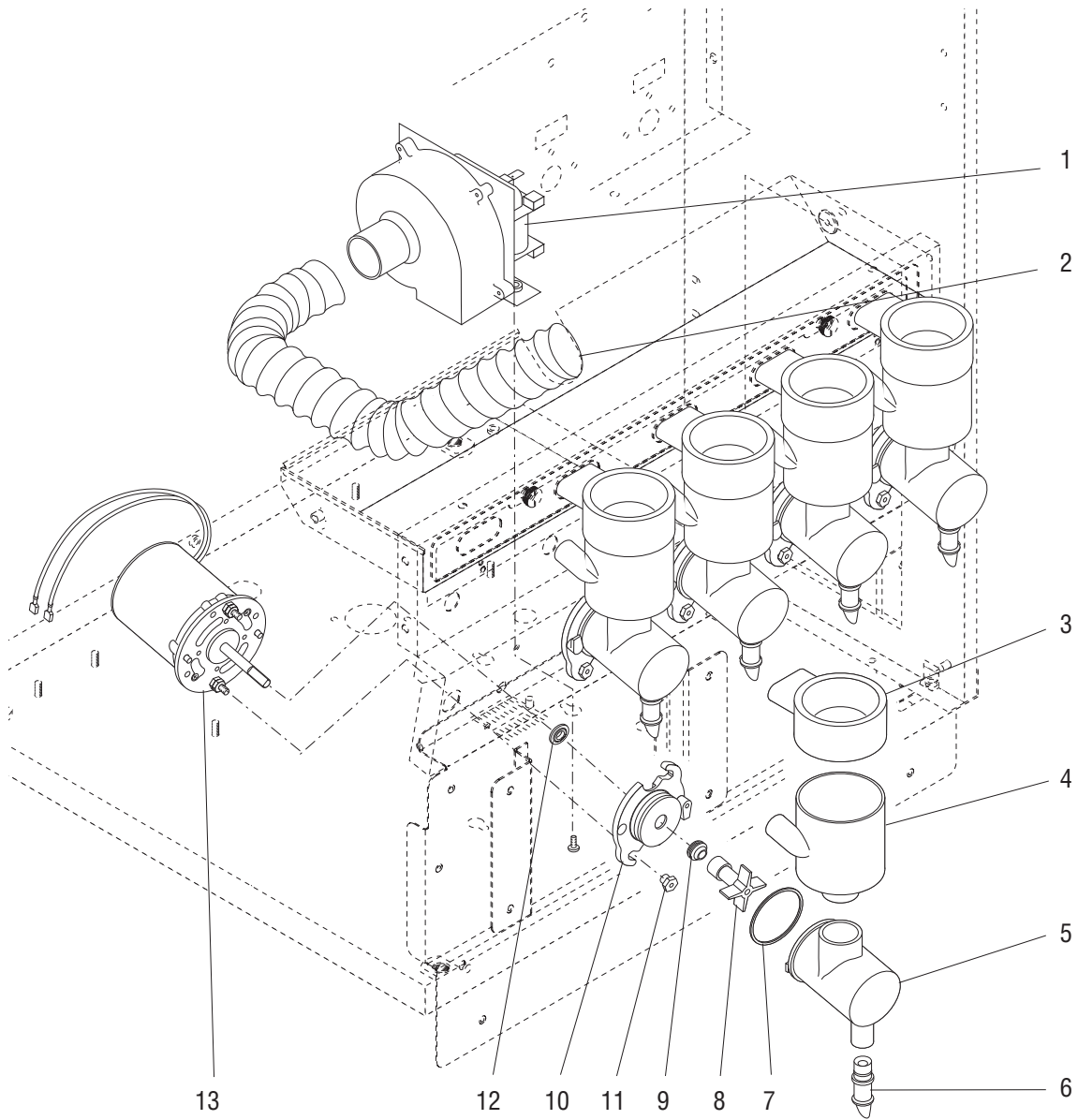
\* Indicates the part number listed is for reference only. See DESCRIPTION for possible service replacement.



## AUGER DRIVE AND HOPPER ASSEMBLY

ITEM	PART NO.	QTY.	DESCRIPTION
-	37010.1001	-	Hopper Assy (Includes one each of items 1-12)
1	36653.0001	5	Lid, Hopper
2	32337.0000	10	Mixing Blade
3	32386.0001	5	Disk, Agitator (30 Tooth)
4	28067.0000	5	Bushing, Auger Drive Shaft
5	26940.0002	5	Shaft, Auger Drive
6	37011.0001	5	Hopper
7	39442.0000	5	Auger, Wire (use w/30-tooth Disk)
8	25903.0000	5	Elbow, Ejector
9	25743.0000	5	Locknut
10	36774.0000	5	Spring, Hopper Coupling
11	36770.0000	5	Coupling, Auger Drive
	01326.0002	5	Screw, Truss Head #10-32 x .25"
12	37539.1000	5	Shaft Kit, Auger Drive (Includes 01326.0002 Screw)
13	36766.0000	1	Panel, Hopper Support
	01311.0000	4	Screw, Truss Head #8-32 x .25"
14	20960.0000	5	Screw, Shoulder #6-32 x .375"
	00991.0002	5	Nut, Elastic Lock #6-32
15	-----	-	See COVERS, PANELS & DRIP TRAYS
16	37037.0001	5	Gearmotor Assy, Auger (Each includes items 17 and 18)
	01311.0000	15	Screw, Truss Head #8-32 x .25"
17	26401.0000	1	Dust Seal, Hopper Motor
18	36773.0000	1	Plate, Auger Drive
19	35260.0000	3	Cable Mount, Adhesive (Not Illustrated)

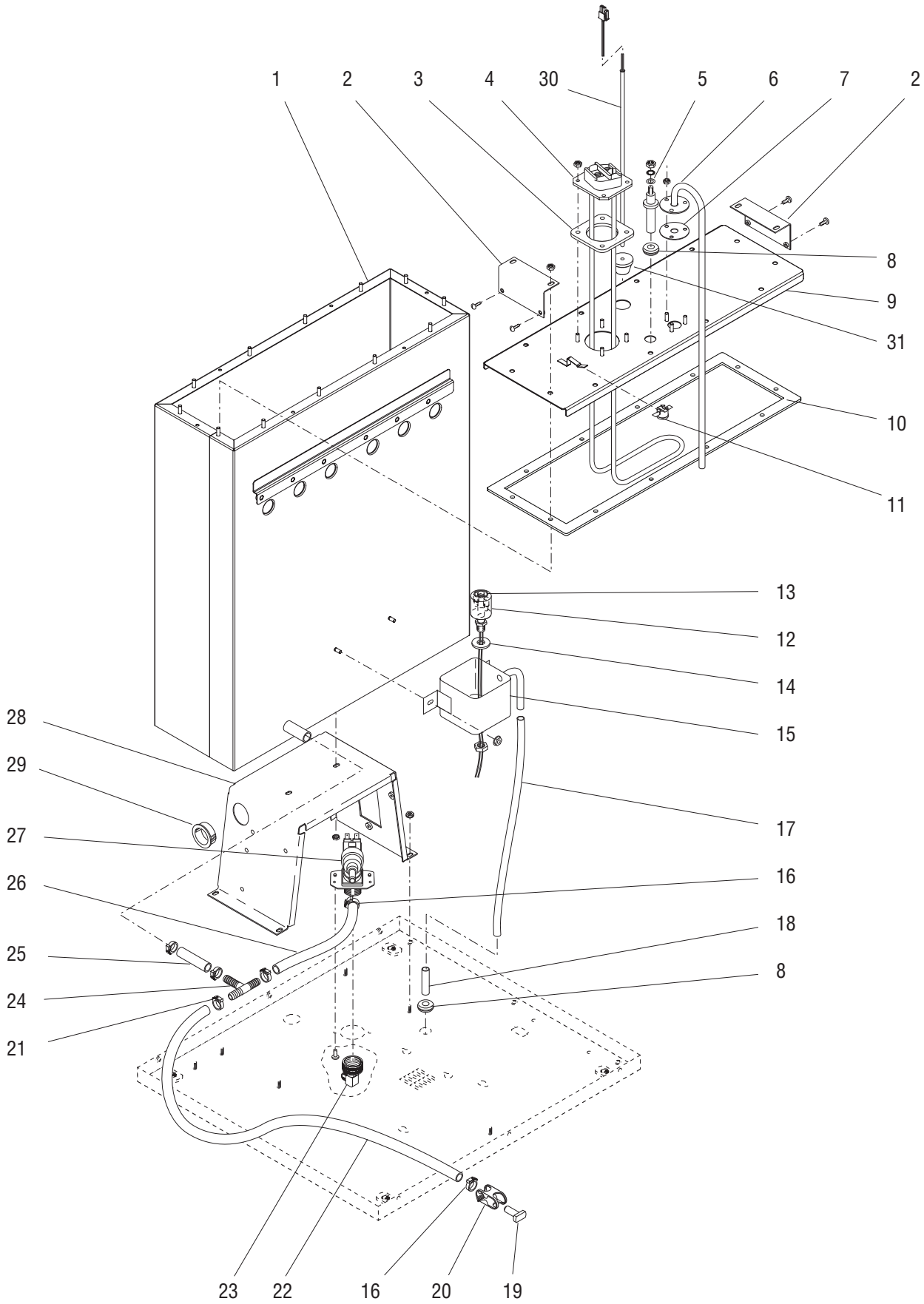
\* Indicates the part number listed is for reference only. See DESCRIPTION for possible service replacement.



## MIXING/WHIPPER CHAMBERS AND DRIVE MOTOR

ITEM	PART NO.	QTY.	DESCRIPTION
1	28295.0000	1	Fan & Bracket Assembly 120V
	01311.0001	2	Screw, Truss Head - Locking #8-32 x .25"
2	28297.0001	1	Hose, Vacuum
3	25732.0000	5	Steam Collector
4	25733.0003	5	Mixing Chamber
5	25734.0000	5	Whipper Chamber
	25734.0002	5	Whipper Chamber (IMIX -5SC)
6	25736.0000	5	Dispense Tip - Drink (0.34" ID)
	28864.0004	5	Dispense Tip - Soup (0.40" ID)
7	24733.0010	5	O-Ring
8	25902.0000	5	Frother
9	26356.0000	5	Seal, Shaft
	26356.1000	-	Kit, Shaft Seal (Includes 6 Seals)
10	28866.0000	5	Receptacle, Whipper Chamber
11	28865.0000	10	Nut, Whipper Motor/Receptacle Mounting
12	28867.0000	5	Slinger
13	28428.1000	5	Motor, Whipper 120V
14	32906.0001	-	Kit, Preventive Maintenance (Includes items 3 thru 10 and 25903.0000 Elbow)

\* Indicates the part number listed is for reference only. See DESCRIPTION for possible service replacement.





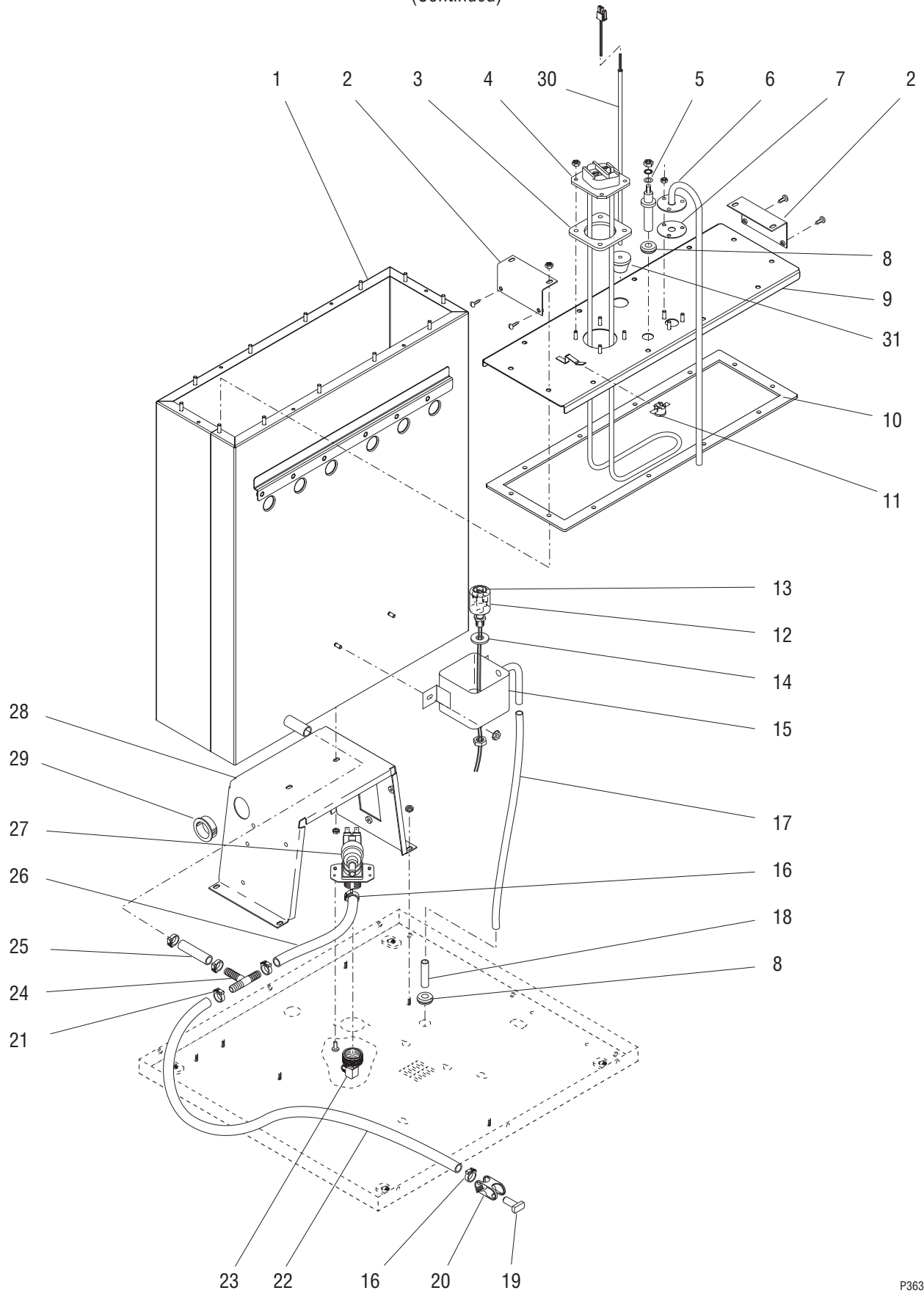
## TANK, HEATER AND OVERFLOW PROTECTION

ITEM	PART NO.	QTY.	DESCRIPTION
1	39133.0000	1	Tank (With copper overflow cup)
	39133.1001	1	Tank (With aluminum overflow cup)
	00970.0000	2	Nut, Keps #8-32
2	36226.0000	2	Bracket, Tank Mounting Upper
	00908.0000	4	Nut #8-32
	01311.0001	4	Screw, Truss Head - Locking #8-32 x .25"
3	12398.0000	1	Gasket, Tank Heater
4	36741.1000	1	Tank Heater Kit, 1700W 120V (Includes item 3)
	00908.0000	4	Nut, Hex #8-32
5	20936.1000	1	Probe Kit (Includes items indented below)
	20203.0100	1	Lockwasher, Internal Tooth #8
	01501.0000	1	Washer, Flat .164" ID x .375" OD
	00908.0000	1	Nut, #8-32
6	36220.0000	1	Tube, Overflow
	00908.0000	3	Nut, Hex #8-32
7	05515.0000	1	Gasket, Overflow Tube
8	02536.0000	2	Grommet, .375" I.D.
9	35940.0003	1	Lid, Tank
	00908.0000	8	Nut, Hex #8-32
10	35937.0000	1	Gasket, Rounded Tank Lid (Early Models)
	35937.0002	1	Gasket, Squared Tank Lid (Late Models)
11	29329.1000	1	Thermostat, Limit
12	03803.0002	1	Switch Assy, Liquid Level (Includes items 13 & 14)
	00946.0000	1	Nut, Hex .125" FPT
13	03807.0000	1	Clip, Spring
14	03633.0000	1	Gasket, Float Switch
15	22728.0000	1	Overflow Cup (Copper)
	00970.0000	2	Nut, Keps #8-32
	41259.0001	1	Overflow Cup (Aluminum)
	41266.0000	1	Film
	41280.0000	1	Elbow
	04797.0000	1	Washer
16	12422.0001	2	Clamp, Hose .59"/.66" ID
17	28526.0028*	1	Tube, Silicone .312" ID x 9.5" (Order item 33)
18	21801.0002	1	Tube .375" O.D. x 1.50" LG
19	34392.0000	1	Plug, Hose .375" ID
20	11630.0001	1	Clamp, Shut Off
21	12422.0005	4	Clamp, Hose .62"/.71" ID

(continued)

\* Indicates the part number listed is for reference only. See DESCRIPTION for possible service replacement.

(Continued)

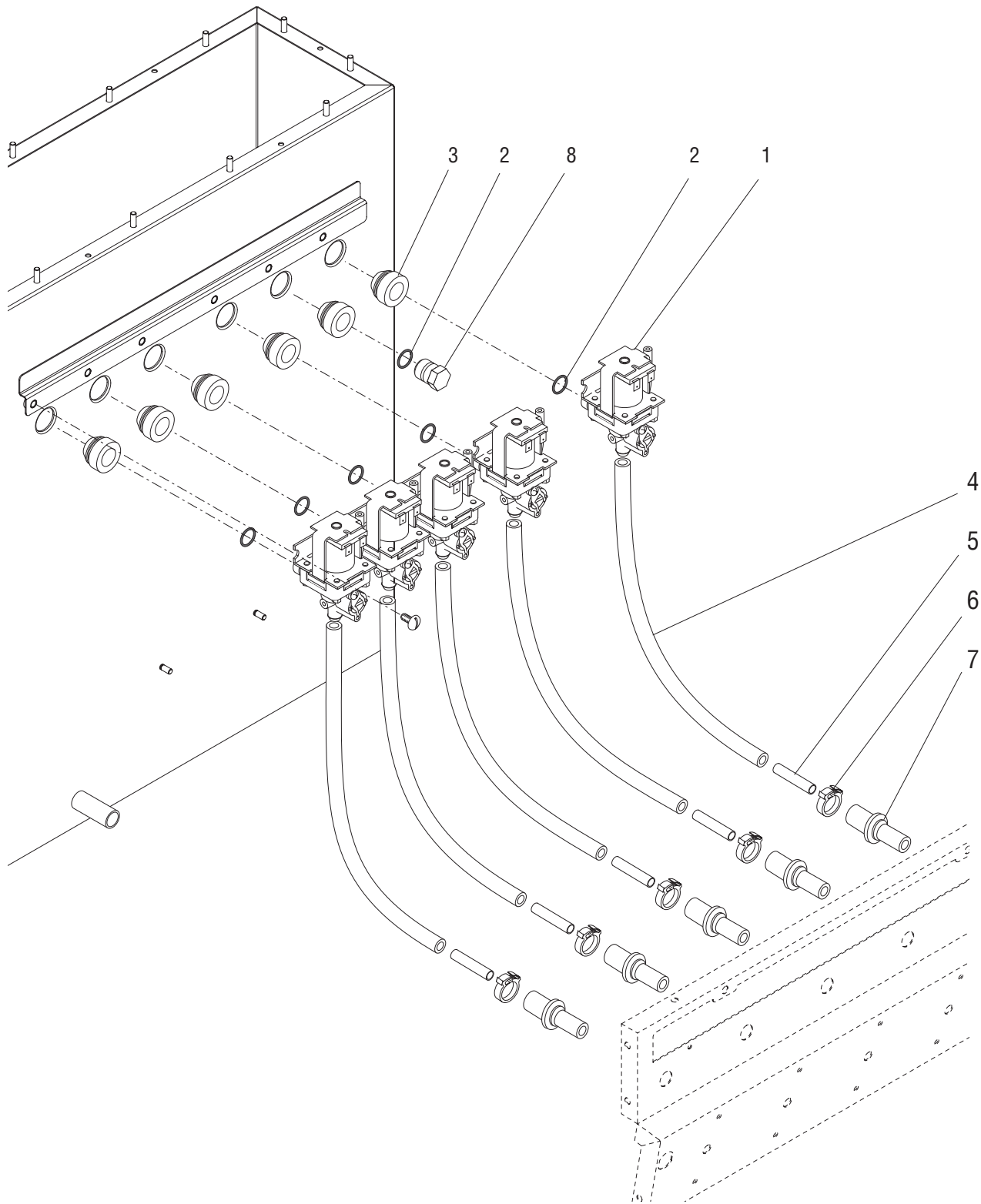


## TANK, HEATER AND OVERFLOW PROTECTION

ITEM	PART NO.	QTY.	DESCRIPTION
22	20976.0056*	1	Tube, Silicone .375" ID x 28.0" (Order item 34)
23	37297.0000	1	Elbow .25" Flare x .75" FTHRD
24	38948.0000	1	Tee .50" Barb
25	20976.0017*	1	Tube, Silicone .375" ID x 2.0" (Order item 34)
26	20976.0055*	1	Tube, Silicone .375" ID x 9.0" (Order item 34)
27	36233.0000	1	Valve, Water Inlet
	32283.0000	2	Screw, Pan Head M4 x 6MM
28	35942.0000*	1	Bracket, Tank Mounting Lower
	00970.0000	4	Nut, Keps #8-32
29	01592.0001	1	Bushing, Snap 1.188" dia.
30	28891.1008	1	Probe, Temp./Dry Plug
31	33801.0001	1	Grommet
32	36222.0000	1	Insulation, Tank
33	28526.1000	-	Tube, Silicone .312" ID x .562" OD x 12"
	28526.1001	-	Tube, Silicone .312" ID x .562" OD x 36"
	28526.1002	-	Tube, Silicone .312" ID x .562" OD x 60"
	28526.1003	-	Tube, Silicone .312" ID x .562" OD x 120"
34	20976.1000	-	Tube, Silicone, .375" ID x .50" OD x 12.0"
	20976.1001	-	Tube, Silicone, .375" ID x .50" OD x 36.0"
	20976.1002	-	Tube, Silicone, .375" ID x .50" OD x 120.0"
35	35946.0002	1	Baffle
36	34572.0000	2	Panel, Baffle Insert
	34765.0000	4	Nut, Flanged #10-32

Not Illustrated

\* Indicates the part number listed is for reference only. See DESCRIPTION for possible service replacement.

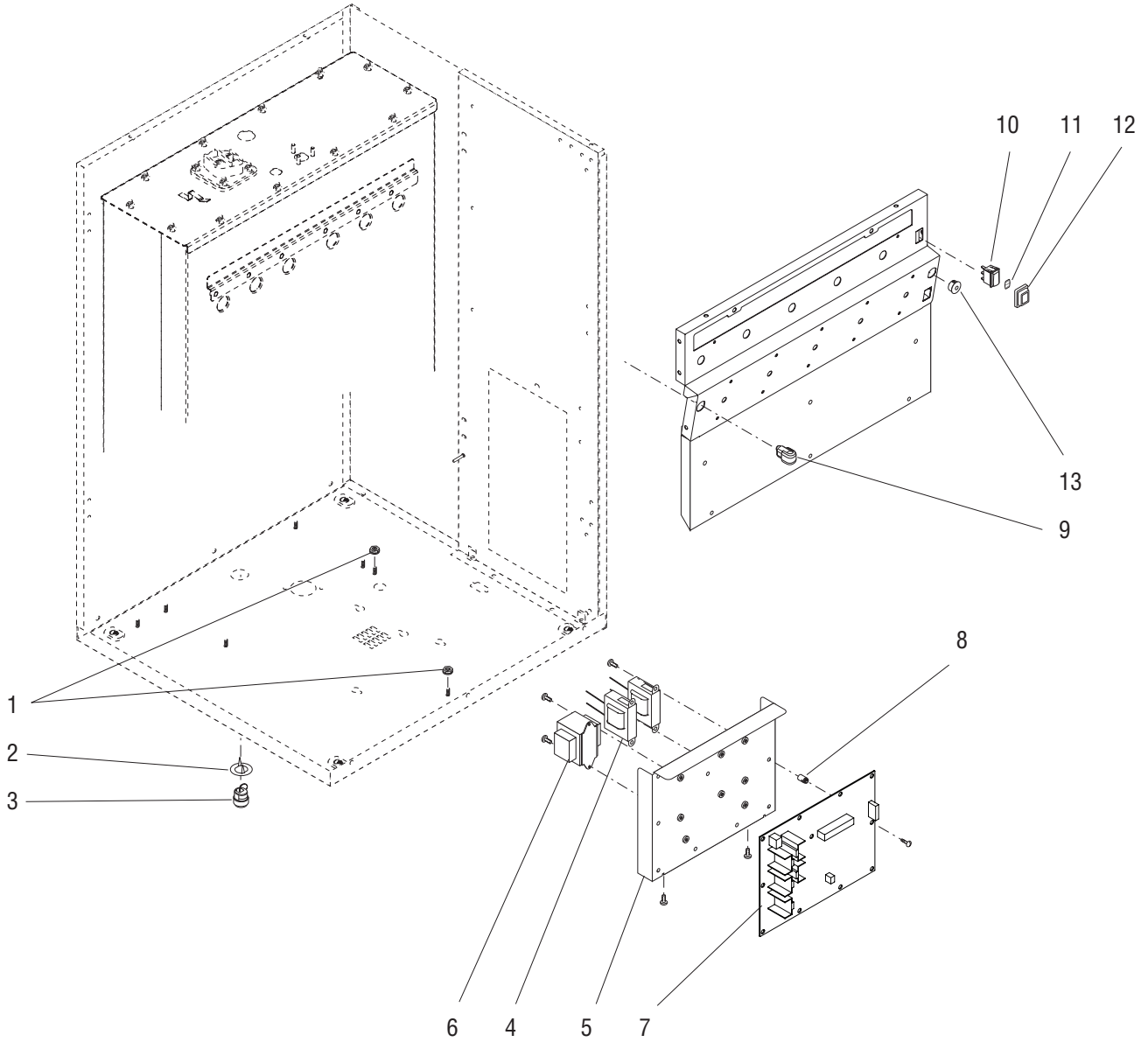


## DISPENSE VALVES AND LINES

ITEM	PART NO.	QTY.	DESCRIPTION
1	26116.1002	5	Valve, Liquid Dispense 120V (Includes item 2)
	01326.0000	5	Screw, Truss Head #10-32 x .25"
2	24733.0011	6	O-Ring
3	37970.0000	6	Grommet, Valve Mounting
4	28526.0027*	5	Tube, Silicone .312" ID x 16.5" (Order item 9)
5	21801.0002	5	Tube .375" OD x 1.50"
6	12422.0001	5	Clamp, Hose .59"/.66" ID
7	25803.0000	5	Water Inlet, Mixing Chamber
8	26369.1000	1	Plug Assy. (Includes item 2)
9	28526.1001	-	Tube, Silicone .312" I.D. x .438" O.D. x 36"
	28526.1002	-	Tube, Silicone .312" I.D. x .438" O.D. x 60"
	28526.1003	-	Tube, Silicone .312" I.D. x .438" O.D. x 120"

} Not  
Illustrated

\* Indicates the part number listed is for reference only. See DESCRIPTION for possible service replacement.



## ELECTRICAL CONTROLS

ITEM	PART NO.	QTY.	DESCRIPTION
1	00970.0000	2	Nut, Keps #8-32 - Power Cord Ground
2	00715.0000	1	Adapter Washer, Strain Relief
3	00713.0000	1	Bushing, Strain Relief
4	28327.0002	2	Ballast 120V
	39642.0000	2	Ballast 230V
	01382.0000	4	Screw, Truss Head #6-32 x .38"
5	38853.0000	1	Bracket
	01311.0001	2	Screw, Locking #8-32 x .25"
6	34829.0001	1	Transformer
	01382.0000	2	Screw, Truss Head #6-32 x .38"
7	38831.1000	1	Control Board
	40280.1000	1	Control Board (RoHS Compliant)
	01382.0008	11	Screw, Truss Head #6-32 x 1.00"
8	29081.0004	11	Spacer
9	26444.0000	1	Bushing, Strain Relief
10	27437.0001	1	Switch, Normal/Program/Rinse
11	37192.0000	1	Decal, Normal/Program/Rinse
12	34390.0000	1	Cap, Switch
13	00669.0005	1	Plug
The following items are not illustrated			
14	20630.0008	1	Power Cord
15	38941.0000	1	Wiring Harness, Switches
16	38942.0000	1	Wiring Harness, Auger Motors
17	36888.0000	1	Wiring Harness, Door Interconnect
18	38940.0000	1	Wiring Harness, Main 120V
	38940.0002	1	Wiring Harness, Main 230V
	00908.0000	1	Nut, Hex #8-32 (Harness Grounding)
	01511.0000	1	lockwasher, External-tooth #8

\* Indicates the part number listed is for reference only. See DESCRIPTION for possible service replacement.

NUMERICAL INDEX

PART NO.	PAGE NO.	PART NO.	PAGE NO.	PART NO.	PAGE NO.	PART NO.	PAGE NO.
00656.0001.....	7	20976.1001.....	19	32906.0001.....	15	36667.1002.....	9
00619.0002.....	7	20976.1002.....	19	33801.0001.....	19	36669.0000.....	11
00669.0004.....	9	21436.0000.....	7	34362.0000.....	9	36670.0000.....	7
00669.0005.....	5,23	21801.0002.....	17,21	34390.0000.....	23	36734.0000.....	9
00713.0000.....	23	22728.0000.....	17	34392.0000.....	17	36739.0000.....	7
00715.0000.....	23	24457.0002.....	9	34572.0000.....	19	36741.1000.....	17
00824.0000.....	7	24733.0010.....	15	34666.0000.....	5	36742.0000.....	5
00831.0000.....	7	24733.0011.....	21	34667.0000.....	11	36743.0000.....	7
00908.0000.....	17,23	25732.0000.....	15	34765.0000.....	19	36743.0001.....	5
00946.0000.....	17	25733.0003.....	15	34829.0001.....	23	36766.0000.....	13
00970.0000.....	17,19,23	25734.0000.....	15	34998.0000.....	5	36768.0000.....	9
00991.0002.....	13	25734.0002.....	15	35260.0000.....	13	36768.0005.....	9
01311.0000.....	5,7,9,11,13	25736.0000.....	15	35912.0001.....	5	36770.0000.....	13
01311.0001.....	5,7,9,11	25743.0000.....	13	35915.1001.....	5	36773.0000.....	13
01311.0001.....	15,17,23	25803.0000.....	21	35916.1001.....	5	36774.0000.....	13
01311.0003.....	5,7	25902.0000.....	15	35924.0000.....	7	36887.0001.....	11
01326.0000.....	21	25903.0000.....	13	35925.1001.....	7	36888.0000.....	11,23
01326.0002.....	13	26356.0000.....	15	35926.0000.....	5	36896.0000.....	7
01360.0002.....	9	26356.1000.....	15	35927.0002.....	5	37010.1001.....	13
01382.0000.....	23	26369.1000.....	21	35929.0000.....	5	37011.0001.....	13
01382.0002.....	5	26401.0000.....	13	35929.0004.....	5	37013.0000.....	9
01382.0008.....	23	26444.0000.....	11,23	35937.0000.....	17	37037.0001.....	13
01403.0000.....	11	26528.0000.....	7	35937.0002.....	17	37065.0000.....	5
01501.0000.....	17	26537.0000.....	11	35940.0003.....	17	37096.0000.....	9
01509.0001.....	5	26537.0001.....	11	35942.0000.....	19	37180.1000.....	5
01511.0000.....	23	26537.0003.....	11	35946.0002.....	19	37192.0000.....	23
01526.0001.....	7	26537.0039.....	11	36149.0000.....	9	37254.0000.....	9
01592.0001.....	19	26940.0002.....	13	36220.0000.....	17	37297.0000.....	19
02336.0000.....	5	27437.0001.....	23	36222.0000.....	19	37539.1000.....	13
02336.0000.....	7	28067.0000.....	13	36224.1002.....	7	37881.0000.....	7
02336.0000.....	9	28095.0000.....	9	36226.0000.....	17	37970.0000.....	21
02336.0000.....	11	28295.0000.....	15	36229.0001.....	7	37988.0000.....	5
02434.0008.....	7	28296.0002.....	9	36230.0001.....	5	38044.0000.....	5,7
02434.0012.....	7	28297.0001.....	15	36231.0000.....	9	38831.1000.....	23
02434.1000.....	7	28327.0002.....	23	36232.0000.....	5	38832.1000.....	9
02434.1001.....	7	28328.0010.....	5	36233.0000.....	19	38853.0000.....	23
02536.0000.....	5,17	28428.1000.....	15	36235.0000.....	5	38935.0000.....	5
03633.0000.....	17	28526.0027.....	21	36235.0002.....	5	38940.0000.....	23
03803.0002.....	17	28526.0028.....	17	36240.0001.....	7	38940.0002.....	23
03807.0000.....	17	28526.1000.....	19	36244.0000.....	9	38941.0000.....	23
03996.0000.....	7	28526.1001.....	19,21	36398.0000.....	7	38942.0000.....	23
04797.0000.....	17	28526.1002.....	19,21	36644.0000.....	5	38948.0000.....	19
05515.0000.....	17	28526.1003.....	19,21	36644.0001.....	5	38986.0000.....	7
11630.0001.....	17	28864.0004.....	15	36647.0000.....	9	38986.0001.....	7
12398.0000.....	17	28865.0000.....	15	36647.0001.....	9	39046.0000.....	9
12422.0001.....	17,21	28866.0000.....	15	36648.0000.....	5	39133.0000.....	17
12422.0005.....	17	28867.0000.....	15	36650.0000.....	9	39133.1001.....	17
13255.0003.....	7	28891.1008.....	19	36653.0001.....	13	39285.1001.....	21
20203.0100.....	17	29081.0004.....	23	36656.0001.....	9	39442.0000.....	13
20630.0008.....	23	29329.1000.....	17	36658.0000.....	9	39642.0000.....	23
20936.1000.....	17	32283.0000.....	19	36659.0000.....	11	40031.1000.....	11
20960.0000.....	13	32337.0000.....	13	36659.0002.....	11	40031.1001.....	11
20976.0017.....	19	32386.0001.....	13	36661.0000.....	9	40280.1000.....	23
20976.0055.....	19	32806.0000.....	9	36661.0002.....	9	41259.0001.....	17
20976.0056.....	19	32807.0001.....	9	36662.0000.....	9	41266.0000.....	17
20976.1000.....	19	32863.0000.....	9	36667.1000.....	9	41280.0000.....	17