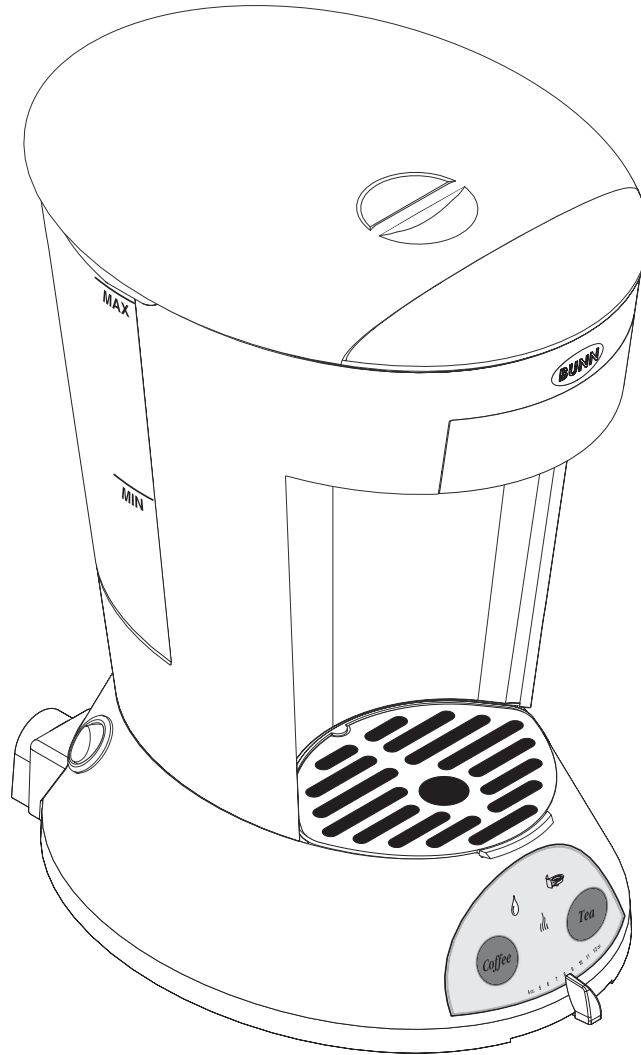


---

# BUNN®

**MCA  
MCAA  
(Pod Brewer)**



## ILLUSTRATED PARTS CATALOG

Designs, materials, weights, specifications, and dimensions for equipment or replacement parts are subject to change without notice.

**BUNN-O-MATIC CORPORATION**

**POST OFFICE BOX 3227**

**SPRINGFIELD, ILLINOIS 62708-3227**

**PHONE: (217) 529-6601 FAX: (217) 529-6644**

## **BUNN-O-MATIC PRODUCT WARRANTY**

Bunn-O-Matic Corporation (“Bunn” or “we”) warrants to the original user (the “buyer” or “you”) of this Pod Brewer that the Pod Brewer is free from defects in material and workmanship existing at the time of manufacture and appearing within two years of the date of original purchase of the Pod Brewer.

If such a defect appears during the warranty period, you must notify us promptly by either (1) calling us toll-free at 800-870-0894, (2) contacting us through our web site ([www.bunn.com](http://www.bunn.com)) or (3) writing us at Bunn-O-Matic Corp., Attn. Warranty Administrator, P.O. Box 3227, Springfield, IL 62708-3227.

If we determine, in our sole discretion, that the unit is not in the warranted condition during the warranty period, we will (at our exclusive option) either (1) arrange for the unit to be repaired, at no cost to you for parts or labor, by a Bunn Authorized Service Representative, (2) replace the unit at no charge to you or (3) refund the purchase price you paid for the unit.

Coverage under this warranty is conditioned on you (1) providing us with prompt notice of any condition for which you seek warranty coverage, (2) providing us, if we request, with proof of the price and date of your purchase, (3) returning the unit at your expense, if we request, to a Bunn Authorized Service Representative for inspection or repair, (4) obtaining our prior authorization for any repair of the unit, and (5) having any repair work performed only by a Bunn Authorized Service Representative.

This warranty does not cover claims resulting from misuse, neglect, alteration, improper installation or operation, improper maintenance or repair, damage or casualty.

THIS WARRANTY SHALL BE EXCLUSIVE AND SHALL BE IN LIEU OF ANY OTHER EXPRESS WARRANTY, WRITTEN OR ORAL, INCLUDING BUT NOT LIMITED TO ANY EXPRESS WARRANTY OF MERCHANTABILITY OR FITNESS FOR A PARTICULAR PURPOSE. THE DURATION OF ANY IMPLIED WARRANTIES, INCLUDING BUT NOT LIMITED TO ANY IMPLIED WARRANTIES OF MERCHANTABILITY OR FITNESS FOR A PARTICULAR PURPOSE, IS EXPRESSLY LIMITED TO THE TWO-YEAR PERIOD OF DURATION OF THE EXPRESS WARRANTY SET FORTH ABOVE. No one, including the employees of Bunn or its agents or dealers, is authorized to modify this express warranty or to make additional oral or written express warranties on our behalf. Accordingly, you should not rely on any such statements as creating oral or written express warranties that are binding on us.

Some states do not allow limitations on how long an implied warranty lasts, so the above limitation may not apply to you.

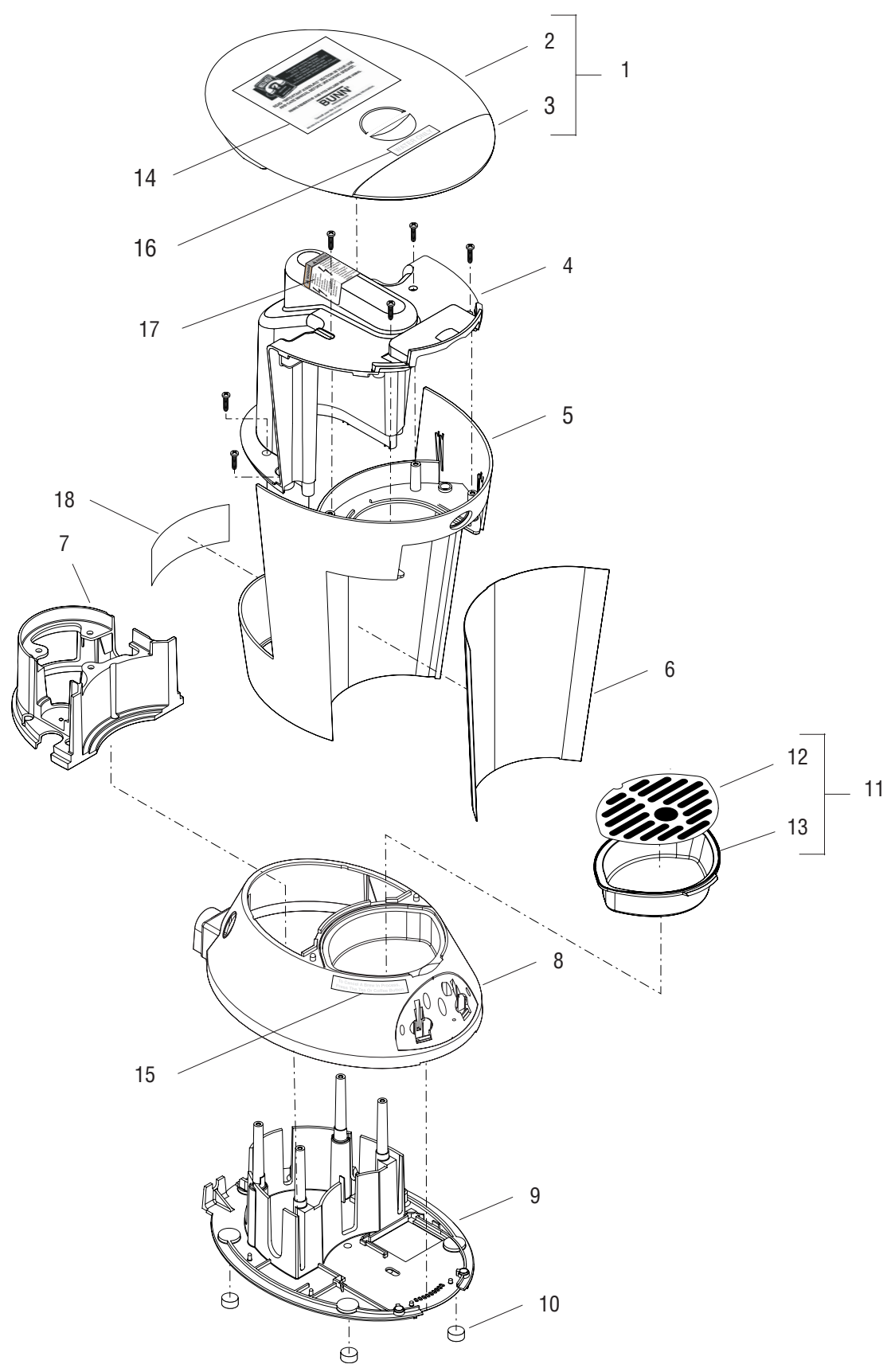
YOUR EXCLUSIVE REMEDY FOR BREACH OF THIS WARRANTY OR OF ANY IMPLIED WARRANTY OR OF ANY OTHER OBLIGATION ARISING BY OPERATION OF LAW OR OTHERWISE SHALL BE LIMITED AS SPECIFIED HEREIN TO REPAIR, REPLACEMENT OR REFUND, AT OUR SOLE OPTION. IN ANY EVENT, WE WILL NOT BE RESPONSIBLE FOR ANY SPECIAL, INCIDENTAL OR CONSEQUENTIAL DAMAGES.

Some states do not allow the exclusion or limitation of incidental or consequential damages, so the above limitation or exclusion may not apply to you.

This warranty gives you specified legal rights, and you may have other rights which vary from state to state.

# TABLE OF CONTENTS

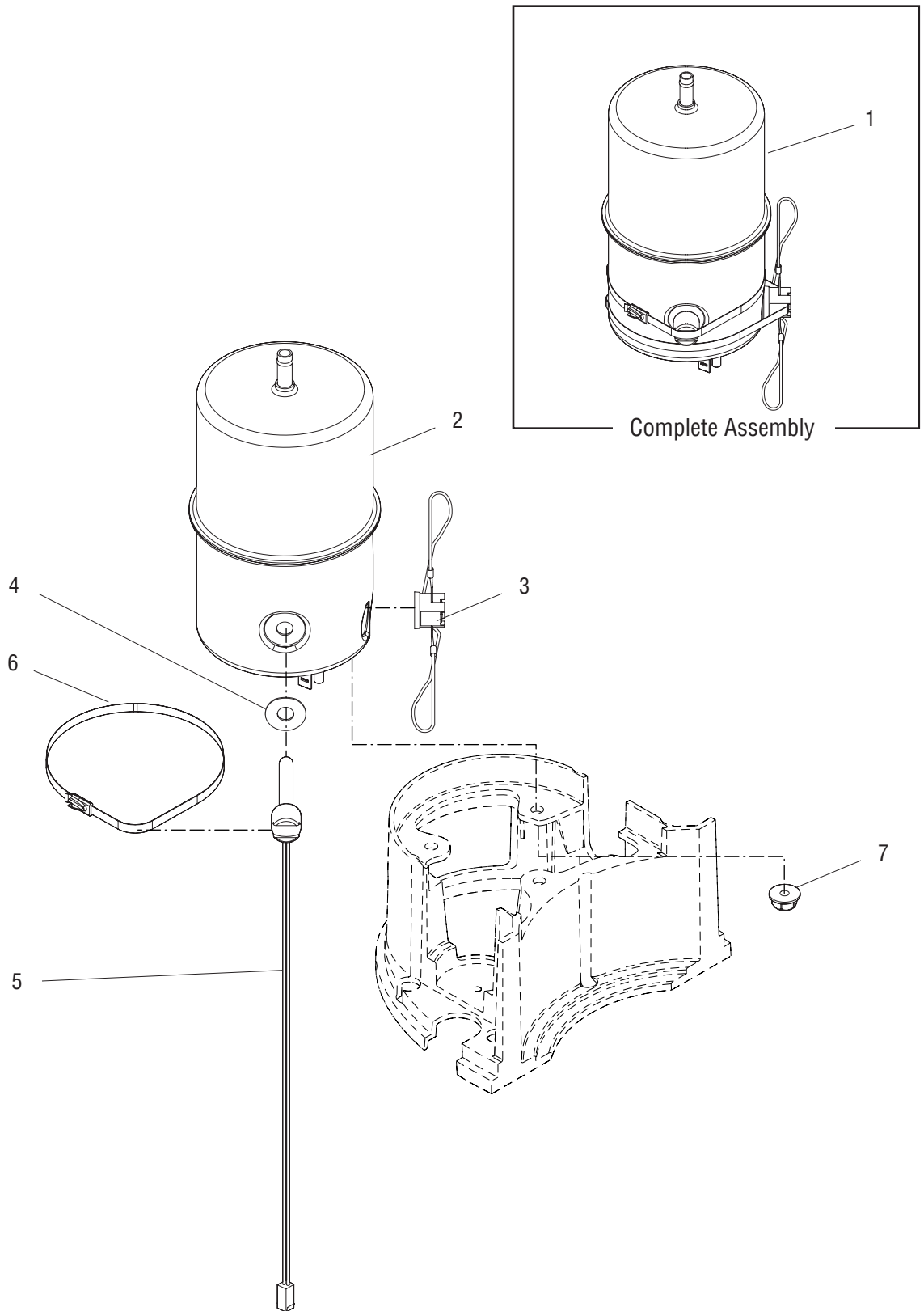
RESERVOIR, CHECK VALVES, TUBES, PUMPS & SOLENOID .....	8
ELECTRICAL & OPERATING CONTROLS .....	12
SPRAYHEAD ASSEMBLY .....	14
POD HOLDER .....	16
HOUSINGS & COVERS .....	4
NUMERICAL INDEX .....	18
TANK & COMPONENTS .....	6



## HOUSINGS & COVERS

ITEM	PART NO.	QTY.	DESCRIPTION
1	37495.1000	1	Lid Assy, Pour-In (Includes Items 2, 3, 16 & 18)
2	37491.0000*	1	Lid, Pour-In
3	36272.0000*	1	Lid, Inner
4	36262.0000*	1	Trunk, Inner
	01360.0001	8	Screw, PHH PHN Plascrew #6 x .60"
5	36265.0001*	1	Shell, Outer
6	36322.0000*	1	Panel, Backsplash
7	36261.0000*	1	Spacer, Base
8	36726.0001*	1	Base, Outer
9	36724.0003*	1	Base, Inner
10	34466.0000	5	Foot, Rubber .5" OD x .25"
11	37520.0001	1	Drip Tray & Grate Assy (Includes Items 12 & 13)
12	36269.0002	1	Grate, Drip Tray
13	36727.0000	1	Drip Tray
14	36990.0000*	1	Decal, Do Not Return (Removable)
15	37282.0000	1	Decal, Brew Interrupt
16	37281.0000	1	Decal, Water Only
17	37267.0000	1	Decal, Warning
18	00656.0000	1	Decal, Comply to Plumbing Code (120V models only)
19	37092.0001	1	Decal, Removable 5-Step (Optional) (Not Illustrated)
20	37519.0001	1	Kit, Lid and Decals (Includes Items 1, 15, 16 & 19)

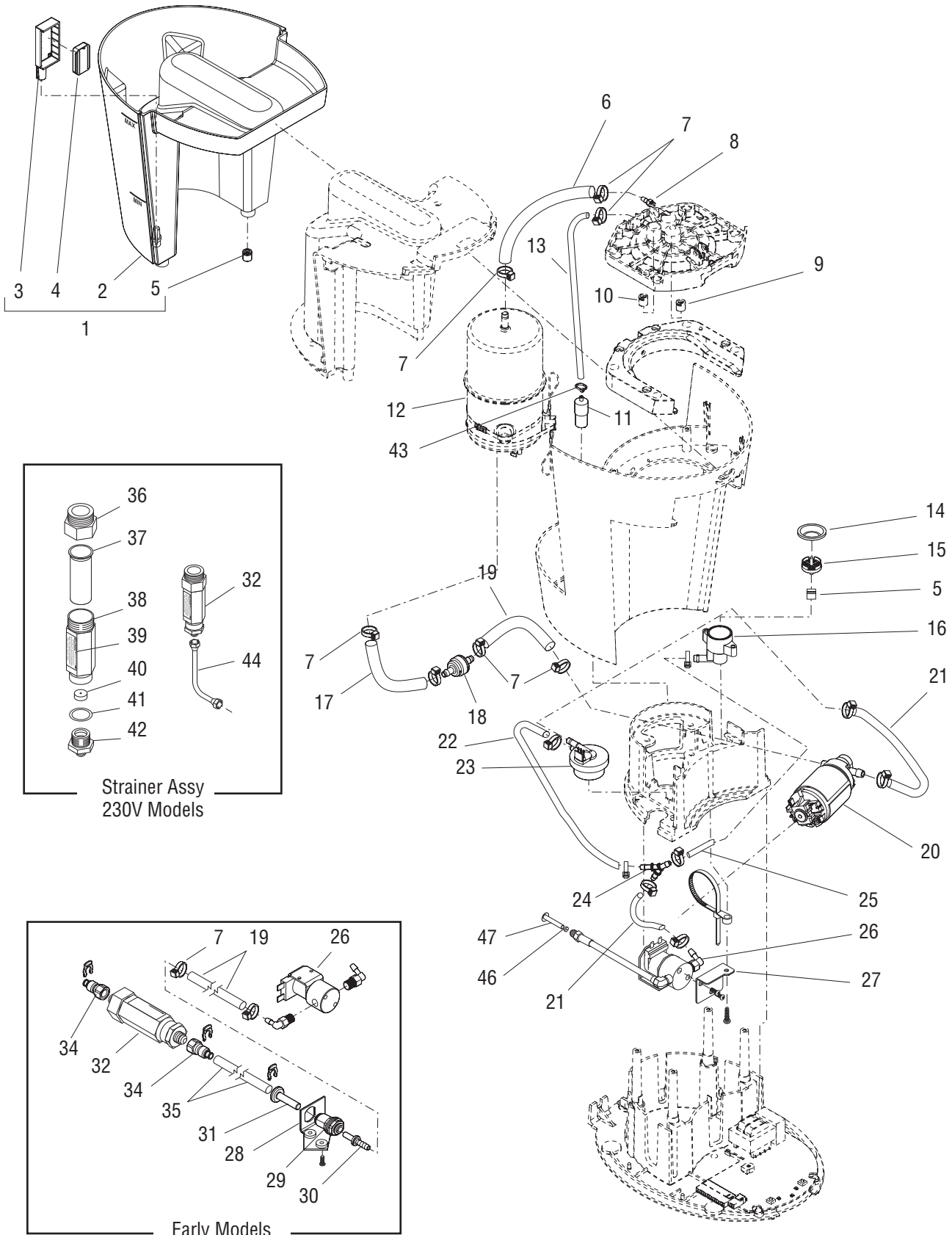
\* Indicates the part number listed is for reference only. See DESCRIPTION for possible service replacement.



## TANK & COMPONENTS

ITEM	PART NO.	QTY.	DESCRIPTION
1	36289.0001*	1	Tank Assembly, 120V, 1450 W W/Leads (Includes Items 2 Through 6)
	36289.0002*	1	Tank Assembly, 230V, 1450 W W/Leads (Includes Items 2 Through 6)
2	37725.0001*	1	Tank Weldment, Main 120V 1450 W
	37725.0005*	1	Tank Weldment, Main 230V 1450 W
3	36396.0001*	1	TCO Assembly, BLK
4	38184.0000*	1	O-Ring, #010 Shore A70 Silicone
5	36895.0000*	1	Sensor, Temperature W/Terminals
6	37061.0000*	2	Tie, 304 SST .17" W x 14.3" LG
7	37083.0000	3	Nut, 8-32 Serrated Flanged

\* Indicates the part number listed is for reference only. See DESCRIPTION for possible service replacement.





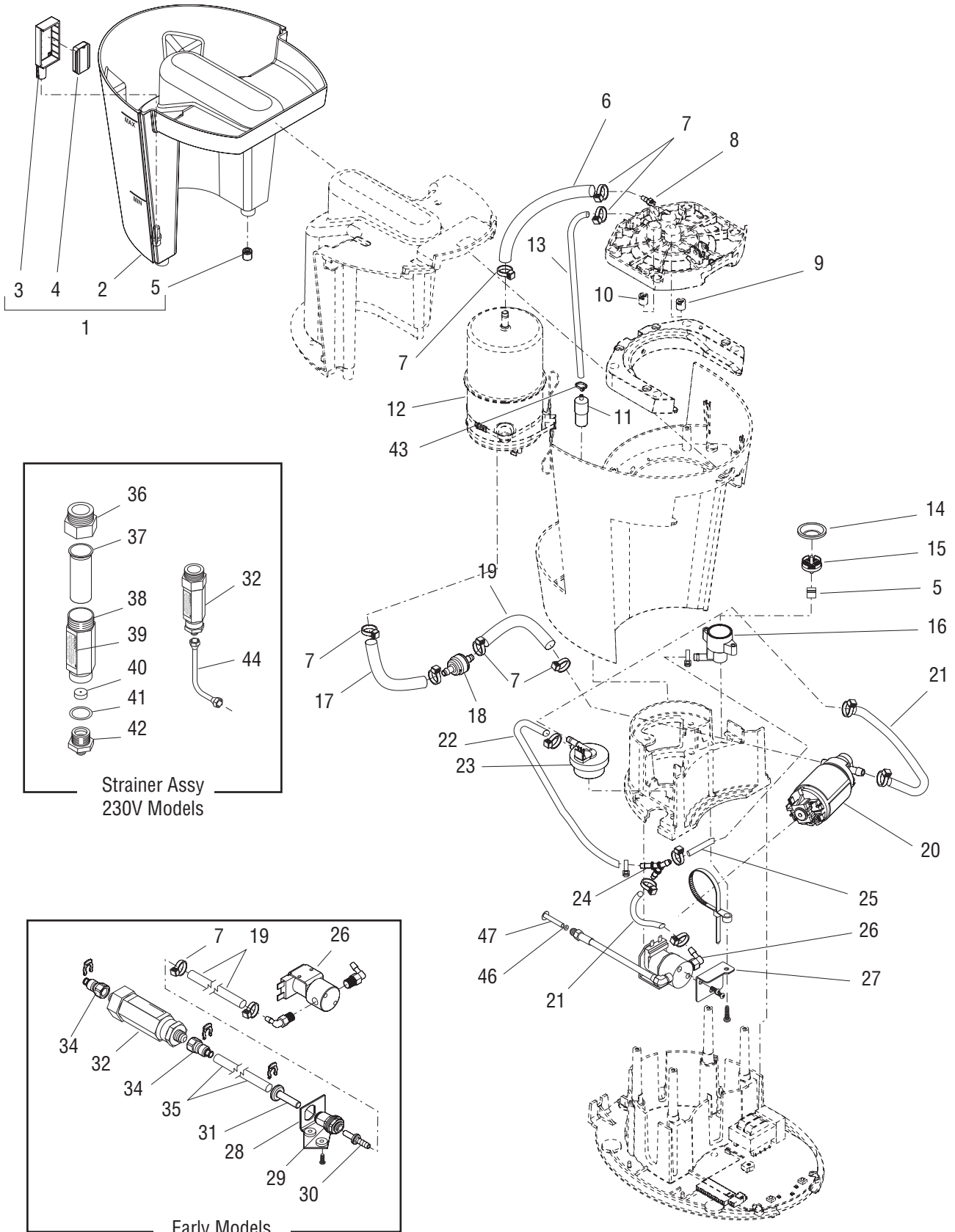
## RESERVOIR, CHECK VALVES, TUBES, PUMPS & SOLENOID

ITEM	PART NO.	QTY.	DESCRIPTION
1	37419.1000	1	Reservoir Assy, Float/Valve (Includes Items 2 Through 5)
2	36264.0000	1	Reservoir, 46 Oz
3	36321.0000	1	Guide, Reservoir Float (Refer to item 48)
4	36316.0000	1	Float Assy, Water Level Detect (Refer to item 48)
5	36378.0001	2	Valve, Check DW 10
6	36629.0000*	1	Tube, Silicone .188" ID x 5.0" LG
7	36329.0002*	12	Tie, cable-Nylon BLK 5.6" LG x .142" W
8	-----	1	Fitting, Barbed .062-27 (See "Sprayhead Assembly")
9	-----	1	Valve, Check DW 11 (See "Sprayhead Assembly")
10	-----	1	Valve, Check DW 10 (See "Sprayhead Assembly")
11	-----	1	Pump, Air 1.6-1.9 LPM (See "Electrical & Operating Controls")
12	-----	1	Tank Assy, 1450 W With Leads (See "Tank & Components")
13	36630.0000	1	Tube, Silicone .125" ID x 6.0" LG
14	36303.0000	1	Seal, Reservoir Outlet
15	36284.0000	1	Screen, Molded BLK
16	36283.0000	1	Coupling, Reservoir
17	36629.0002	1	Tube, Silicone .188" ID x 1.5" LG
18	37802.0000	1	Valve, Check Bi-directional
19	36629.0001	2	Tube, Silicone .188" ID x 2.5" LG (One less used on Late Models)
20	-----	1	Pump Assy, With Motor (See "Electrical & Operating Controls")
21	36631.0003*	2	Tube, Silicone .188" ID x 4.375" LG
22	36631.0001	1	Tube, Silicone .188" ID x 3.0" LG
23	-----	1	Meter, Flow (See "Electrical & Operating Controls")
24	37290.0000	1	Fitting, "Y" Barbed 3/16" ID
25	36631.0002	1	Tube, Silicone .188" ID x 1.0" LG
26	37313.0000	1	Solenoid, Valve Assy 120V (Early Models)
	37313.0001	1	Solenoid, Valve Assy 120V (Late Models)
	37313.0002	1	Solenoid, Valve Assy 230V
27	38846.0000*	1	Bracket, Solenoid Valve
	37459.0000	2	Screw, PNH, PHH #10-32 x .50"
	01360.0001	2	Screw, PNH PHH Plascrew #6 x .60 (Early Models)
28	36925.0000*	1	Bracket Weldment, Bulkhead Fitting (Early Models)
	37459.0000	2	Screw, PNH, PHH #10-32 x .50"

(Continued)

\* Indicates the part number listed is for reference only. See DESCRIPTION for possible service replacement.

(Continued)



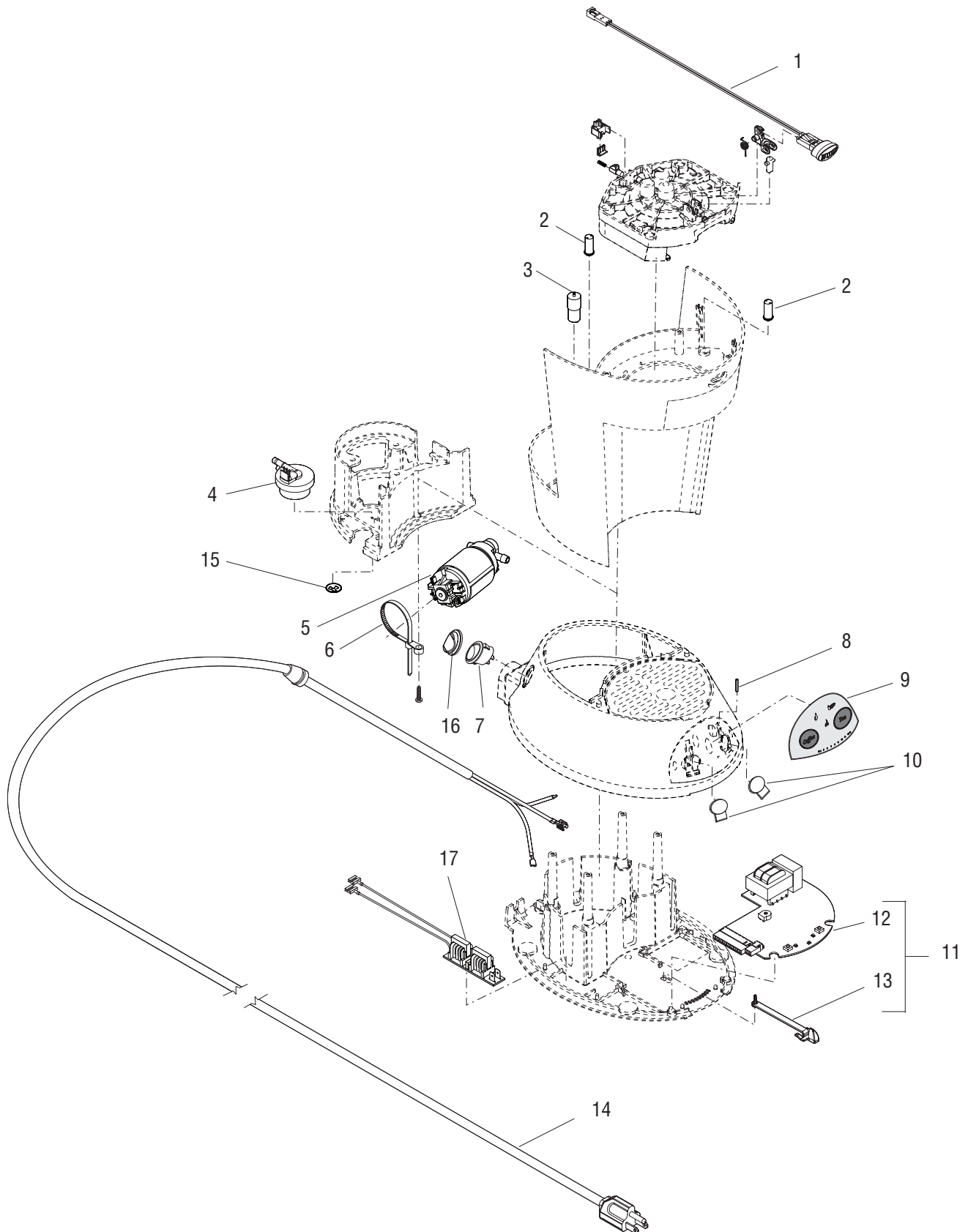
Strainer Assy  
230V Models

Early Models

## RESERVOIR, CHECK VALVES, TUBES, PUMPS & SOLENOID

ITEM	PART NO.	QTY.	DESCRIPTION
29	37094.0000	1	Fitting, Quick Disconnect .25" (Early Models)
30	37925.0000	1	Fitting, Tube to Hose Stem .25" (Early Models)
31	37452.0000	1	Fitting, .25" Plug (Optional Plug when used as a Pour-Over) (Early Models)
32	38414.0000	1	Strainer/Flow Control Assy 230V (Includes Items 36 Through 42)
33	37469.0000	3	Clip, Locking John Guest .25" (Early Models)
34	37470.0000	2	Fitting, Brass Female .25" - .25" (Early Models)
35	37489.0000	1	Tube, .25" OD Hard Plastic 2' (Early Models)
36	22249.0000	1	Fitting, Flow Control Inlet 120V
	38413.0000	1	Cap, Flow Control Inlet, .75" 230V
37	23721.0000	1	Screen
38	-----	1	Body (Not Available. Order Item 32)
39	22307.0222	1	Decal, (.222 GPM)
40	20526.1222	1	Flow Washer/Gasket Set (.222 GPM) (Includes item 41)
41	01155.0000	1	Gasket, Flow Control
42	01154.0000	1	Fitting, Flow Control Outlet
43	36329.0002*	1	Cable Tie
44	00310.0000	1	Tube 230V
45	00935.0001	1	Cap 120V (Late Models)(Not Illustrated)
46	39182.0000	1	Orifice, Inlet Tube 120V
47	39216.0000	1	Screen Filter 120V
48	39446.0000	-	Guide/Float Assy (Includes items 3 and 4)

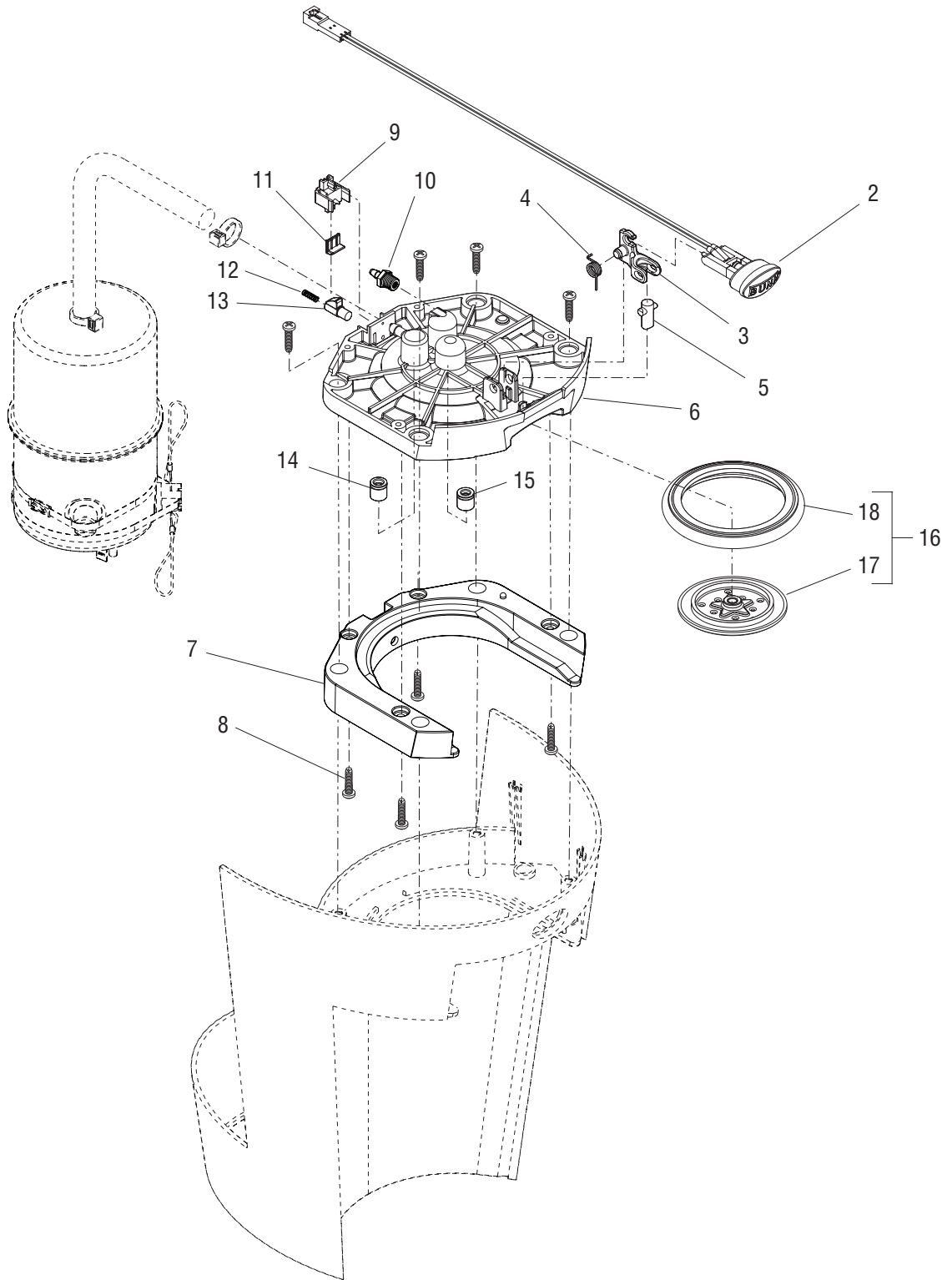
\* Indicates the part number listed is for reference only. See DESCRIPTION for possible service replacement.



## ELECTRICAL & OPERATING CONTROLS

ITEM	PART NO.	QTY.	DESCRIPTION
1	-----	1	Button, Pod Release (See "Pod Holder")
2	36903.0000	2	LED Assy
3	38316.0000*	1	Pump, Air 1.6-1.9 LPM
4	36382.0000	1	Meter, Flow
5	37084.0000	1	Pump Assy, 120V w/Motor Leads & Thermal Cut Off (Includes item 6)
	37084.0002	1	Pump Assy, 230V w/Motor Leads & Thermal Cut Off (Includes item 6)
6	38386.0000	1	Cable Tie, Water Pump
7	36285.0000	1	Switch, Oval Rocker, BLK
8	36901.0000	2	Pin, Actuator
9	36891.0000	1	Decal, Control Panel
10	36270.0001*	2	Button, Brew Start
11	37522.0001*	1	CB Assy, 120V w/Volume Lever (Includes Items 12 & 13)
	37522.0005*	1	CB Assy, 230V w/Volume Lever (Includes Items 12 & 13)
12	36171.0001*	1	Circuit Board Assy, 120V (Not Available. Order Item 11)
	38722.0001*	1	Circuit Board Assy, 230V (Not Available. Order Item 11)
13	37035.0000	1	Lever, Volume Control W/Overmold (Not Available. Order Item 11)
14	36381.0000	1	Cord Assy, 120V 2-Wire W/Ground
	36381.0001	1	Cord Assy, 230V 2-Wire W/Ground (United Kingdom)
	36381.0002	1	Cord Assy, 230V 2-Wire W/Ground (Europe & Korea)
	06064.0000	1	Label, Cord Warning (120V models only)
15	36718.0000	1	Push Nut, 2mm
16	37949.0000	1	Cap, Rocker Switch
17	38955.0000*	1	Circuit Board, EMI Filter, 230V
18	36546.0000	1	Wiring Harness, Main (Not Illustrated)
19	36547.0000	1	Wiring Harness (Not Illustrated)
20	21001.0725	1	Lead, Electric 18 AWG 14.0" LG (Not Illustrated)

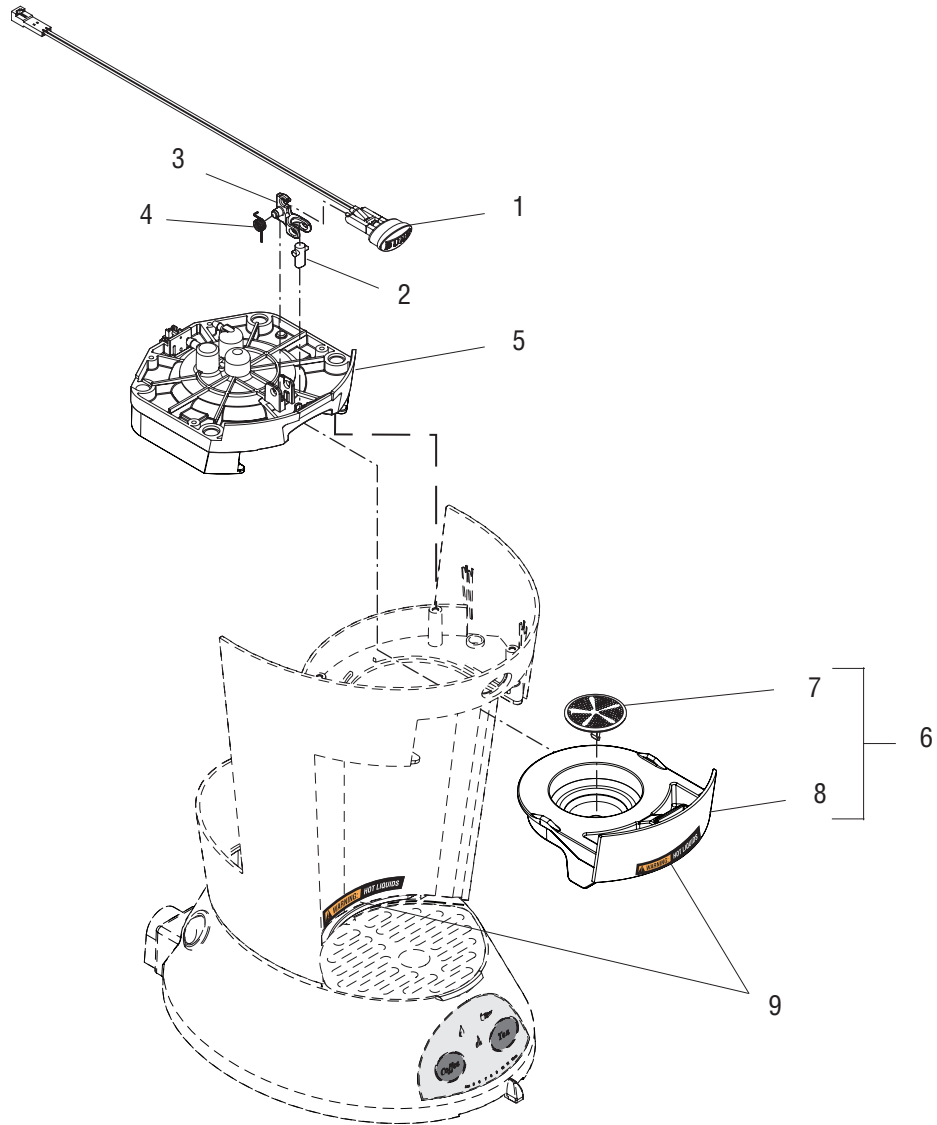
\* Indicates the part number listed is for reference only. See DESCRIPTION for possible service replacement.



## SPRAYHEAD ASSEMBLY

ITEM	PART NO.	QTY.	DESCRIPTION
1	37418.0000*	1	Sprayhead Assy (Includes Items 3 through 18)
2	-----	1	Button, Pod Release (See "Pod Holder")
3	-----	1	Linkage, Button To Pin (See "Pod Holder")
4	-----	1	Pin, Lock Holder (See "Pod Holder")
5	-----	1	Spring, Latch-Pod Holder (See "Pod Holder")
6	36278.0000*	1	Sprayhead Assy, Top W/Fittings
	36532.0000*	1	Insert, Stud .25-20 UNC (Not Illustrated)
7	36279.0000*	1	Ramp, Sprayhead
8	01360.0001	4	Screw, PHH PHN Plascrew #6 x .60
9	36536.0000	1	Switch, Snap Action 24V
10	37543.0000*	1	Fitting, Barbed .062-27
11	36324.0000*	1	Plunger, L-Shaped Activator
12	36544.0000*	1	Spring, Compression .12" OD x .38"
13	36323.0000*	1	Plunger, Switch Actuator
14	36378.0001	1	Valve, Check DW 10
15	36379.0000	1	Valve, Check DW 11
16	37521.0000	1	Sprayhead/Seal Assembly (Includes Items 17 & 18)
17	36384.0000	1	Sprayhead
18	36078.0000	1	Seal, Sprayhead

\* Indicates the part number listed is for reference only. See DESCRIPTION for possible service replacement.





## POD HOLDER

ITEM	PART NO.	QTY.	DESCRIPTION
1	36904.0000	1	Button Assy, Pod Release W/Terminals
2	36280.0000*	1	Pin, Latch-Pod Holder
3	36281.0000*	1	Linkage, Button To Pin
4	36288.0000*	1	Spring, Latch-Pod Holder
5	-----	1	Sprayhead Assy (See "Sprayhead Assembly")
6	36717.1000	1	Pod Holder Assembly BLK (Includes one of Item 7 and one each of 8 & 9)
	36717.1001	1	Pod Holder Assembly BLU (Includes one of Item 7 and one each of 8 & 9)
7	36716.0000	1	Screen, Molded Snap-In, BLK
	36716.0001*	1	Screen, Molded Snap-In, BLU (Optional)
8	36715.0000*	1	Pod Holder
9	37280.0000	2	Decal, Hot Liquids
10	37458.1001	1	Kit, Accessory (Includes Items 6, 9, 11, 13, 14 & 15)
11	37306.0000	1	Descaler, Urnex (Available at Web Site - <a href="http://www.bunn.com">www.bunn.com</a> ) (Not Illustrated)
12	37307.0000	-	Descaler, JavaClean2 (Available at Web Site - <a href="http://www.bunn.com">www.bunn.com</a> ) (Not Illustrated)
13	-----	1	Drip Tray (Not Illustrated) (See "Housings & Covers")
14	-----	1	Grate, Drip Tray (Not Illustrated) (See "Housings & Covers")
15	-----	1	Strainer/ Flow Control Assy .222 GPM (Not Illustrated) (See "Reservoir, Check Valves, Tubes, Pumps & Solenoid")

\* Indicates the part number listed is for reference only. See DESCRIPTION for possible service replacement.

## NUMERICAL INDEX

PART NO.	PAGE NO.	PART NO.	PAGE NO.	PART NO.	PAGE NO.	PART NO.	PAGE NO.
00310.0000.....	11	36629.0002.....	9	37725.0001.....	7		
00656.0000.....	5	36630.0000.....	9	37725.0005.....	7		
00935.0001.....	11	36631.0001.....	9	37802.0000.....	9		
01154.0000.....	11	36631.0002.....	9	37925.0000.....	11		
01155.0000.....	11	36631.0003.....	9	37949.0000.....	13		
01360.0001.....	5,9,15	36715.0000.....	17	38184.0000.....	7		
06064.0000.....	13	36716.0000.....	17	38316.0000.....	13		
20526.1222.....	11	36716.0001.....	17	38386.0000.....	13		
21001.0725.....	13	36717.1000.....	17	38413.0000.....	11		
22249.0000.....	11	36717.1001.....	17	38414.0000.....	11		
22307.0222.....	11	36718.0000.....	13	38722.0001.....	13		
23721.0000.....	11	36724.0003.....	5	38846.0000.....	9		
34466.0000.....	5	36726.0001.....	5	38955.0000.....	13		
36078.0000.....	15	36727.0000.....	5	39182.0000.....	11		
36171.0001.....	13	36891.0000.....	13	39216.0000.....	11		
36261.0000.....	5	36895.0000.....	7	39446.0000.....	11		
36262.0000.....	5	36901.0000.....	13				
36264.0000.....	9	36903.0000.....	13				
36265.0001.....	5	36904.0000.....	17				
36269.0002.....	5	36925.0000.....	9				
36270.0001.....	13	36990.0000.....	5				
36272.0000.....	5	37035.0000.....	13				
36278.0000.....	15	37061.0000.....	7				
36279.0000.....	15	37083.0000.....	7				
36280.0000.....	17	37084.0000.....	13				
36281.0000.....	17	37084.0002.....	13				
36283.0000.....	9	37092.0001.....	5				
36284.0000.....	9	37094.0000.....	11				
36285.0000.....	13	37267.0000.....	5				
36288.0000.....	17	37280.0000.....	17				
36289.0001.....	7	37281.0000.....	5				
36289.0002.....	7	37282.0000.....	5				
36303.0000.....	9	37290.0000.....	9				
36316.0000.....	9	37306.0000.....	17				
36321.0000.....	9	37307.0000.....	17				
36322.0000.....	5	37313.0000.....	9				
36323.0000.....	15	37313.0001.....	9				
36324.0000.....	15	37313.0002.....	9				
36329.0002.....	9,11	37418.0000.....	15				
36378.0001.....	9,15	37419.1000.....	9				
36379.0000.....	15	37452.0000.....	11				
36381.0000.....	13	37458.1001.....	17				
36381.0001.....	13	37459.0000.....	9				
36381.0002.....	13	37469.0000.....	11				
36382.0000.....	13	37470.0000.....	11				
36384.0000.....	15	37489.0000.....	11				
36396.0001.....	7	37491.0000.....	5				
36532.0000.....	15	37495.1000.....	5				
36536.0000.....	15	37519.0001.....	5				
36544.0000.....	15	37520.0001.....	5				
36546.0000.....	13	37521.0000.....	15				
36547.0000.....	13	37522.0001.....	13				
36629.0000.....	9	37522.0005.....	13				
36629.0001.....	9	37543.0000.....	15				