

---

# BUNN®

***MHG***  
***for use with***  
***Smart Funnel®***



## ILLUSTRATED PARTS CATALOG

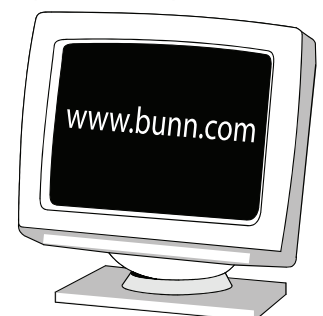
Designs, materials, weights, specifications, and dimensions for equipment or replacement parts are subject to change without notice.

### **BUNN-O-MATIC CORPORATION**

POST OFFICE BOX 3227

SPRINGFIELD, ILLINOIS 62708-3227

PHONE: (217) 529-6601 FAX: (217) 529-6644



## BUNN-O-MATIC COMMERCIAL PRODUCT WARRANTY

Bunn-O-Matic Corp. ("BUNN") warrants equipment manufactured by it as follows:

- 1) All equipment other than as specified below: 2 years parts and 1 year labor.
- 2) Electronic circuit and/or control boards: parts and labor for 3 years.
- 3) Compressors on refrigeration equipment: 5 years parts and 1 year labor.
- 4) Grinding burrs on coffee grinding equipment to grind coffee to meet original factory screen sieve analysis: parts and labor for 3 years or 30,000 pounds of coffee, whichever comes first.

These warranty periods run from the date of installation BUNN warrants that the equipment manufactured by it will be commercially free of defects in material and workmanship existing at the time of manufacture and appearing within the applicable warranty period. This warranty does not apply to any equipment, component or part that was not manufactured by BUNN or that, in BUNN's judgment, has been affected by misuse, neglect, alteration, improper installation or operation, improper maintenance or repair, damage or casualty. This warranty is conditioned on the Buyer 1) giving BUNN prompt notice of any claim to be made under this warranty by telephone at (217) 529-6601 or by writing to Post Office Box 3227, Springfield, Illinois 62708-3227; 2) if requested by BUNN, shipping the defective equipment prepaid to an authorized BUNN service location; and 3) receiving prior authorization from BUNN that the defective equipment is under warranty.

**THE FOREGOING WARRANTY IS EXCLUSIVE AND IS IN LIEU OF ANY OTHER WARRANTY, WRITTEN OR ORAL, EXPRESS OR IMPLIED, INCLUDING, BUT NOT LIMITED TO, ANY IMPLIED WARRANTY OF EITHER MERCHANTABILITY OR FITNESS FOR A PARTICULAR PURPOSE.** The agents, dealers or employees of BUNN are not authorized to make modifications to this warranty or to make additional warranties that are binding on BUNN. Accordingly, statements by such individuals, whether oral or written, do not constitute warranties and should not be relied upon.

If BUNN determines in its sole discretion that the equipment does not conform to the warranty, BUNN, at its exclusive option while the equipment is under warranty, shall either 1) provide at no charge replacement parts and/or labor (during the applicable parts and labor warranty periods specified above) to repair the defective components, provided that this repair is done by a BUNN Authorized Service Representative; or 2) shall replace the equipment or refund the purchase price for the equipment.

**THE BUYER'S REMEDY AGAINST BUNN FOR THE BREACH OF ANY OBLIGATION ARISING OUT OF THE SALE OF THIS EQUIPMENT, WHETHER DERIVED FROM WARRANTY OR OTHERWISE, SHALL BE LIMITED, AT BUNN'S SOLE OPTION AS SPECIFIED HEREIN, TO REPAIR, REPLACEMENT OR REFUND.**

In no event shall BUNN be liable for any other damage or loss, including, but not limited to, lost profits, lost sales, loss of use of equipment, claims of Buyer's customers, cost of capital, cost of down time, cost of substitute equipment, facilities or services, or any other special, incidental or consequential damages.

392, AutoPOD, AXIOM, BrewLOGIC, BrewMETER, Brew Better Not Bitter, BrewWISE, BrewWIZARD, BUNN Espresso, BUNN Family Gourmet, BUNN Gourmet, BUNN Pour-O-Matic, BUNN, BUNN with the stylized red line, BUNNlink, Bunn-O-Matic, Bunn-O-Matic, BUNNserve, BUNNSERVE with the stylized wrench design, Cool Froth, DBC, Dr. Brew stylized Dr. design, Dual, Easy Pour, EasyClear, EasyGard, FlavorGard, Gourmet Ice, Gourmet Juice, High Intensity, iMIX, Infusion Series, Intellisteam, My Café, PowerLogic, Quality Beverage Equipment Worldwide, Respect Earth, Respect Earth with the stylized leaf and coffee cherry design, Safety-Fresh, savemycoffee.com, Scale-Pro, Silver Series, Single, Smart Funnel, Smart Hopper, SmartWAVE, Soft Heat, SplashGard, The Mark of Quality in Beverage Equipment Worldwide, ThermoFresh, A Partner You Can Count On, Air Brew, Air Infusion, Beverage Bar Creator, Beverage Profit Calculator, Brew better, not bitter., BUNNSource, Coffee At Its Best, Cyclonic Heating System, Digital Brewer Control, Nothing Brews Like a BUNN, Pouring Profits, Signature Series, Tea At Its Best, Phase Brew, The Horizontal Red Line, Titan, trifecta, Ultra, Velocity Brew are either trademarks or registered trademarks of Bunn-O-Matic Corporation.

**TABLE OF CONTENTS**

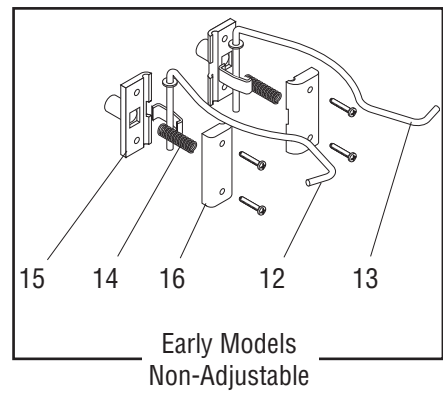
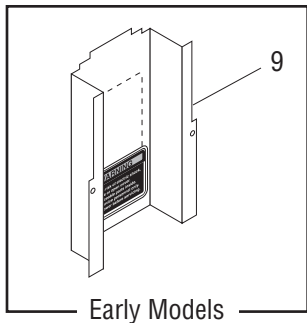
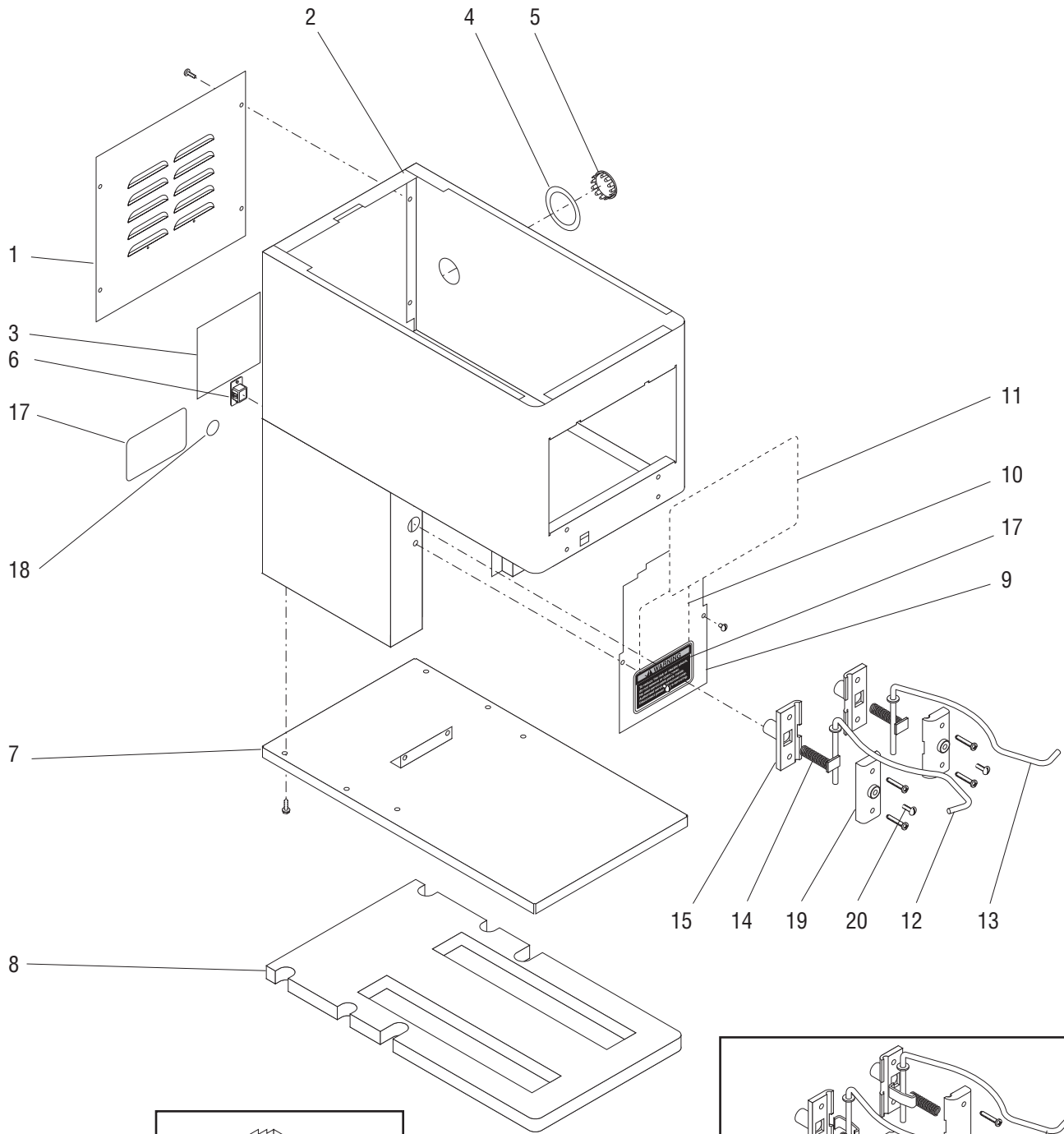
Electrical Controls .....12

Hopper, Lid and Slide Plate Assy.....6

Housing, Base and Panels.....4

Motor, Burr Housing and Mounting Plate.....10

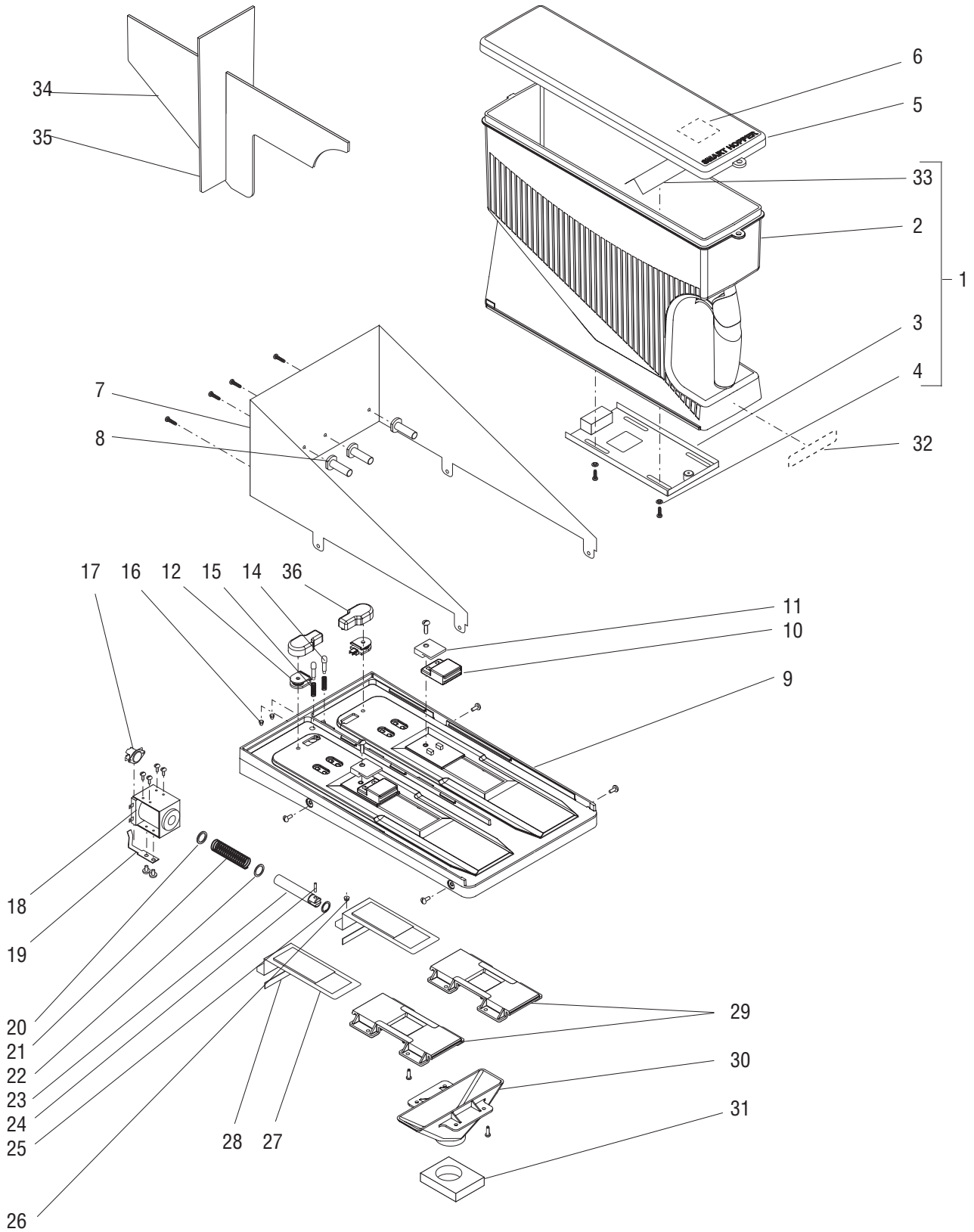
Numerical Index.....14



## HOUSING, BASE AND PANELS

ITEM	PART NO.	QTY.	DESCRIPTION
1	35766.0000	1	Rear Panel SST, 120V
	35766.0001	1	Rear Panel BLK, 120V
	36632.0000	1	Rear Panel SST, 230V
	36632.0001	1	Rear Panel BLK, 230V
	01308.0000	4	Screw, Truss Head SST #6-32 x .25"
	01382.0002	4	Screw, Truss Head BLK #6-32 x .38"
2	35765.1000	1	Housing Assy W/Decals, SST (Includes items 3 & 4)
	35765.1002	1	Housing Assy W/Decals, BLK (Includes items 3 & 4)
3	20545.0000	1	Decal, Warning Electrical
4	05884.0000	1	Decal, Motor Reset
5	02999.0000	1	Plug, Hole SST 1.19" Dia.
	25126.0000	1	Plug, Hole BLK 1.19" Dia.
6	36398.0000	1	Plug (Early Models)
7	35740.0003	1	Base GALV
	35740.0001	1	Base SST
	02311.0000	6	Screw, Hex Washerhead #10-32 x .50"
8	35741.0000	1	Pad, Base
9	35843.1000	1	Panel Assy W/Decals, 120V, SST (Includes item 10)
	35843.1001	1	Panel Assy W/Decals, 120V, BLK (Includes item 10)
	01308.0000	2	Screw, Truss Head SST #6-32 x .25"
	01382.0002	2	Screw, Truss Head BLK #6-32 x .38"
10	36399.0000	1	Schematic 120V
11	-----	1	Membrane Switch (See ELECTRICAL CONTROLS)
12	32568.0000	1	Funnel Rail, Left (Early Models, Non-Adjustable)
	32568.0001	1	Funnel Rail, Left (Late Models, Adjustable)
13	32569.0000	1	Funnel Rail, Right (Early Models, Non-Adjustable)
	32569.0001	1	Funnel Rail, Right (Late Models, Adjustable)
14	32570.0000	2	Spring
15	32561.0000	2	Bracket, Inner Spring
16	-----	2	Bracket, Outer Spring (Early Models. Not Available)(Order item 21)
	01326.0008	4	Screw, Truss Head, Blk #10-32 x 1.25"
17	37881.0000	2	Decal, No Serviceable Parts
18	00824.0000	1	Decal, Grounding
19	39586.1000	2	Bracket, Outer Spring (Late Models, Adjustable)
	01326.0008	4	Screw, Truss Head, Blk #10-32 x 1.25"
20	01317.0000	2	Screw, Adjustment, Truss Head, Blk #8-32 x .50"
21	39568.0000	-	Rail Replacement Kit, Left
	39570.0000	-	Rail Replacement Kit, Right

\* Indicates the part number listed is for reference only. See DESCRIPTION for possible service replacement.



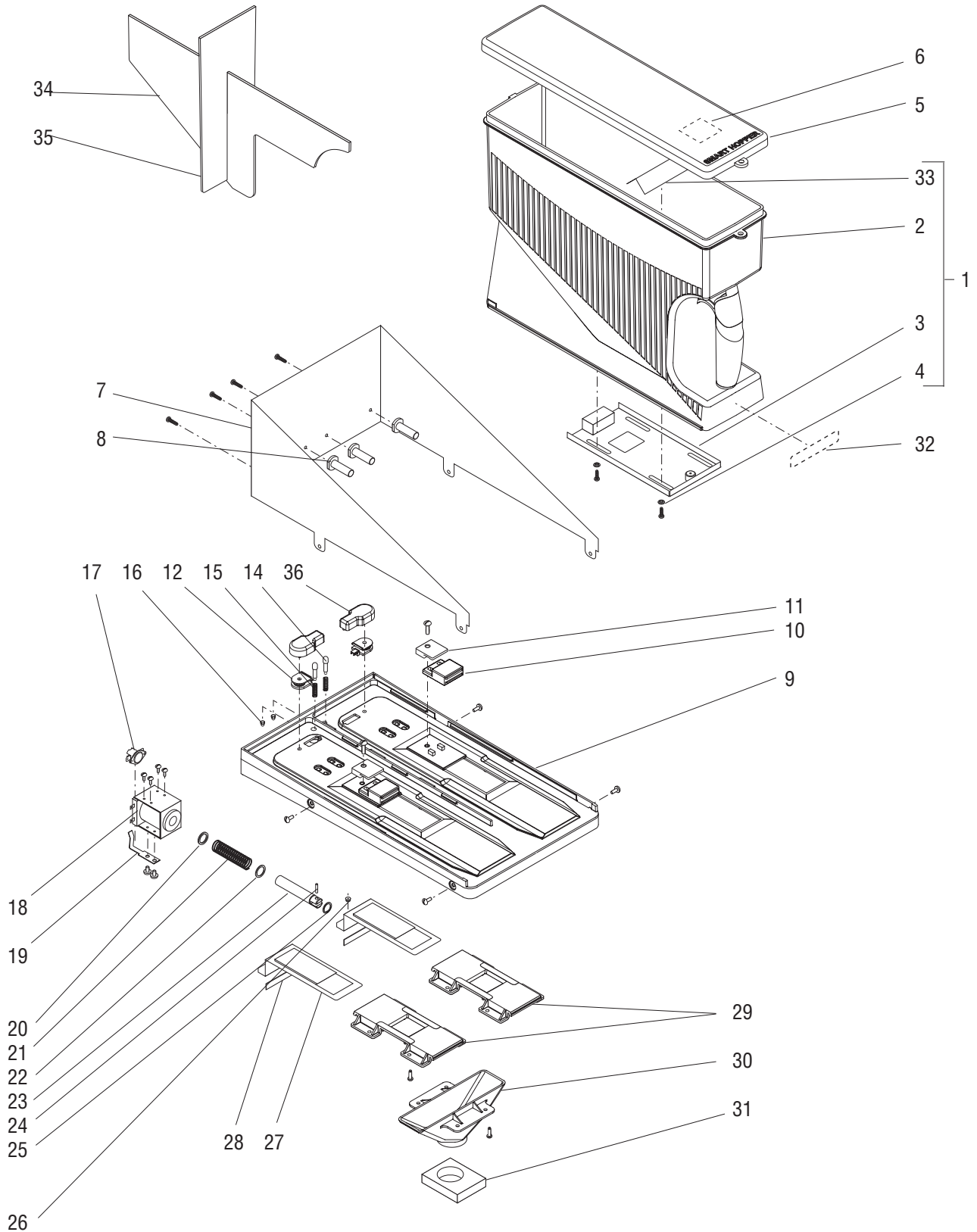
## HOPPER, LID & SLIDE PLATE ASSEMBLY

ITEM	PART NO.	QTY.	DESCRIPTION
1	36845.0000	2	Hopper Assy (Includes items 2,3,4,5,6 & 33)
2	35732.0000*	1	Hopper (Order item 1)
3	35817.0000	1	Hopper Gate
	01383.0000	4	Screw, Pan Head #6-32 x .50"
4	35818.0000	4	Bushing
5	35771.1000	2	Lid w/Decals (Includes item 6)
6	05876.0000	2	Decal, Caution
7	35909.0002	1	Hopper Wrapper GALV
	35909.0000	1	Hopper Wrapper SST
	01382.0007	4	Screw, Truss Head BLK #6-32 x .375"
8	36553.0000	4	Pin, Hopper Locator
	01360.0001	4	Screw, Pan Head #6 x .60"
9	35858.0003	1	Slide Gate
10	35874.0001	2	Magnet Latch
11	35875.0000	2	Magnet Retainer
	01338.0000	2	Screw, Truss Head #8-32 x .62"
12	32572.1000	2	Sensing Coil
13	35956.0000	2	Fastener (Early Models)
14	29699.1000	2	Plunger Assy (Includes items 15 & 16)
15	33144.0000*	2	Spring (Order item 14)
16	24224.0000	2	Nut, Acorn
17	23917.0000	2	Limit Thermostat
18	05917.0006	2	Solenoid Assy 120V
	05917.0007	2	Solenoid Assy 230V
	05917.0009	2	Solenoid Assy 100V 50 Hz
	05917.0010*	2	Solenoid Assy 100V 60 Hz
	01315.0000	8	Screw, Truss Head #8-32 x .38"
19	36335.0000	2	Clip
	01311.0001	4	Screw, Truss Head, Locking #8-32 x .25"
20	23923.0000	2	Washer, Fiber .063" Thick
21	35762.0000	2	Spring
22	23922.0000	2	Washer, Retaining .035" Thick
23	35910.0002	2	Plunger
24	02858.0001	2	Pin, Spring .125" x .50"
25	23919.0000	2	Snap Ring

(Continued)

\* Indicates the part number listed is for reference only. See DESCRIPTION for possible service replacement.

(Continued)

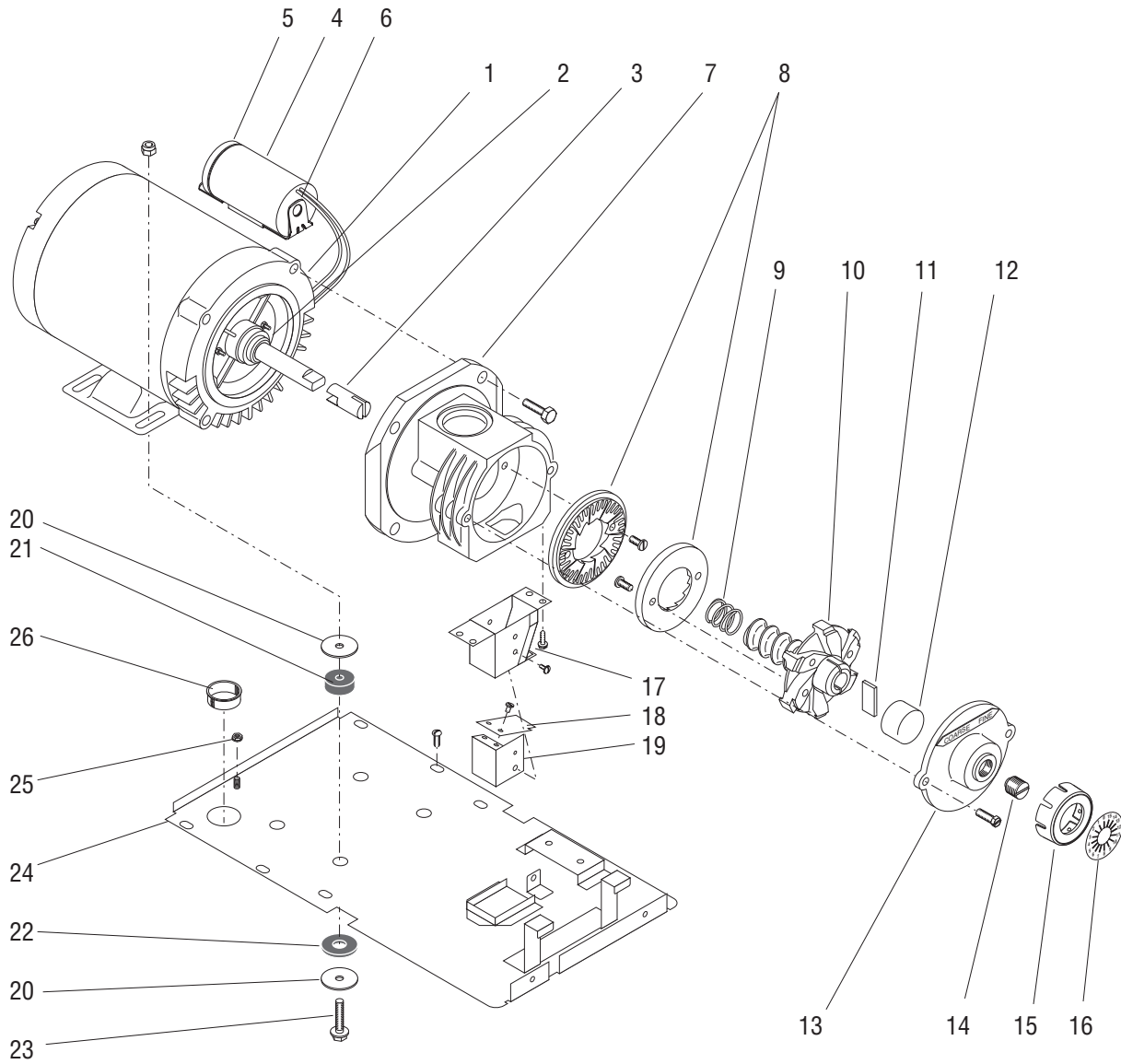




## HOPPER, LID & SLIDE PLATE ASSEMBLY

ITEM	PART NO.	QTY.	DESCRIPTION
26	26033.0001	2	Bearing
27	35816.0000	2	Slide Gate
28	36389.0000	2	Bumper
29	35862.0000	2	Support, Slide Gate
	01383.0000	4	Screw, Pan Head #6-32 x .50"
30	35861.0000	1	Collector
	01383.0000	4	Screw, Pan Head #6-32 x .50"
31	21457.0000	1	Gasket, Burr Housing/Collector
32	36425.0000	1	Decals, Coffee Type
33	36711.0000	2	Baffle
34	36053.0001	1	Hopper Partition, Long
35	36053.0002	1	Hopper Partition, Short
			} Optional
36	40616.0000	2	Cover, Sensor Coil (Late Models)
37	40698.1000	-	Slide Gate Assy (Includes items 9-30 & 36)

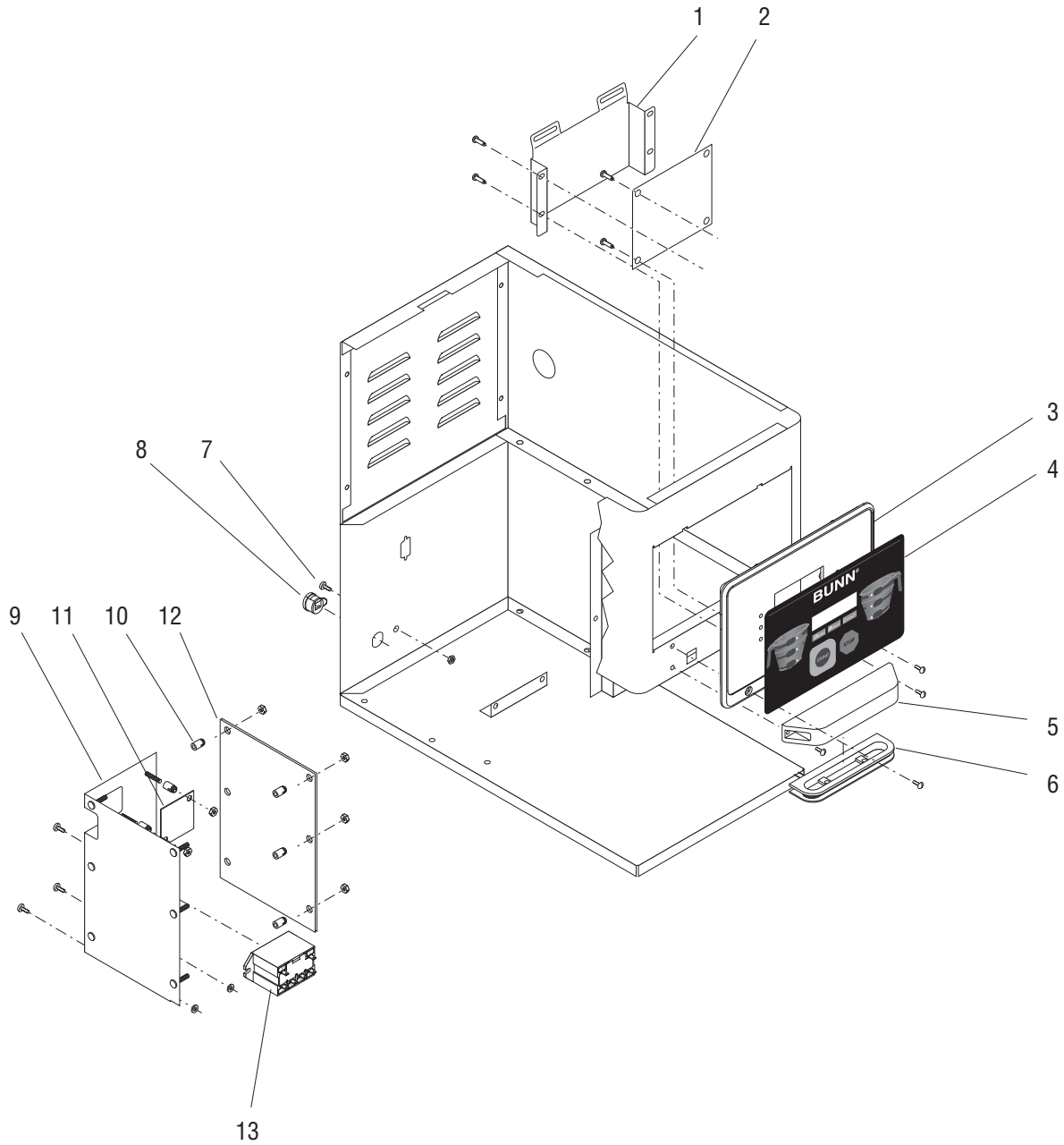
\* Indicates the part number listed is for reference only. See DESCRIPTION for possible service replacement.



## MOTOR, BURR HOUSING AND MOUNTING PLATE

ITEM	PART NO.	QTY.	DESCRIPTION
1	11090.0008	1	Motor Assy 120V (Includes item 2-6)(Incl. hardware and template not used in this application)
	11090.0005	1	Motor Assy 230V (Includes item 2 & 3)
2	05870.0000	1	Bushing, Bronze
3	11191.0001	1	Shaft Extension
4	35249.0000	1	Capacitor
5	35906.0000	1	Cap
6	35233.0000	1	Bracket
	01355.0000	2	Screw, Flat Head #8-32 x .38"
7	11180.0000	1	Burr Housing
	02313.0000	4	Screw, Hex Head .38"-16 x 1.0"
8	05861.1002	1	Burr Set (Includes 2 Burrs and Screws below)
	11285.1000	1	Burr Set, Turkish Grind (Includes 2 Burrs and Screws below)
	02314.0000	4	Screw, Pan Head .25"-20 x .50"
9	11192.0000	1	Spring
10	11185.0001	1	Burr Auger Rotor/Spring Assy (Includes item 9)
11	05852.0001	1	Shear Plate
12	00622.0000	1	Cup, Burr Rotor (Standard)
	00622.0001	1	Cup, Burr Rotor (Heavy Duty)
13	05867.0000	1	Cap, Burr Housing
	20631.0000	2	Screw, Slotted Hex Head .25"-20 x .75"
14	35184.0000	1	Adjusting Screw
15	34107.0000	1	Cap, Indicator Adjustment
16	34213.0000	1	Decal, Burr Adjustment
17	05951.0000	1	Chute
	02330.0001	4	Screw, Slotted Hex Head #10-24 x .375"
18	05995.0000	1	Dechaffer Plate
	02327.0002	2	Screw, Pan Head #4-40 x .312"
19	05954.0000	1	Dechaffer Assy (Includes item 18)
	02328.0002	1	Screw, Pan Head #6-32 x .188"
20	01539.0000	8	Washer, Flat
21	05881.0000	4	Bushing
22	05882.0000	4	Washer 1.50" Dia.
23	02312.0000	4	Screw, Hex Washer Head .312"-18 x 1.50"
	00987.0000	4	Nut, Lock .312"-18
24	35769.0000*	1	Plate, Motor Mounting
	02311.0000	6	Screw, Hex Washerhead #10-32 x .50"
25	00971.0000	1	Grounding Nut, Keps #10-32
26	00718.0000	1	Bushing 1.125" Dia. Hole

\* Indicates the part number listed is for reference only. See DESCRIPTION for possible service replacement.



## ELECTRICAL CONTROLS

ITEM	PART NO.	QTY.	DESCRIPTION
1	35893.0000	1	Bracket
	01383.0001	4	Screw, Pan Head #8-32 x .38"
2	38721.1000	1	Circuit Board, Display
	01383.0001	4	Screw, Pan Head #8-32 x .38"
3	35770.0000	1	Bezel
	01347.0002	2	Screw, Truss Head Blk #6-32 x .38"
4	35574.0000	1	Membrane Switch
5	33303.0000	1	Cover, Sensing Coil
	01347.0002	2	Screw, Truss Head Blk #6-32 x .38"
6	33302.0000	1	Sensing Coil, Grinder
7	01326.0000	1	Screw, Ground Truss Head SST #10-32 x .25"
	00971.0000	1	Nut, Keps #10-32
8	01686.0000	1	Bushing, Strain Relief 120V
	28683.0000	1	Bushing, Strain Relief 230V
9	35743.0000	1	Bracket
	01311.0000	2	Screw, Truss Head #8-32 x .25"
	01516.0000	2	Washer, Screw Retaining #8
10	29081.0002	8	Spacer
	00906.0000	8	Nut, Hex #6-32
11	36449.1000	1	Circuit Board, Memory/Clock Module
	38712.1000	1	Circuit Board, Memory/Clock Module (RoHS Compliant)
12	35285.1000	1	Circuit Board, Grinder 120V
	35285.1001	1	Circuit Board, Grinder 240V
	38720.1000	1	Circuit Board, Grinder 120V (RoHS Compliant)
13	37711.0000	1	Relay 100V or 120V
	01382.0000	2	Screw, Truss Head #6-32 x .38"
	28034.0000	1	Relay 230V
	01308.0000	2	Screw, Truss Head #6-32 x .25"

Note: The following items are not illustrated

14	36047.0000	1	Wiring Harness, Main
15	36372.0000	1	Wiring Harness, Read/Write Coil
16	40701.0012	1	Cord Assy, Power 120V
	27728.0002	1	Cord Assy, Power 230V
17	35260.0000	2	Cable Mount
18	36676.0000	1	Wiring Harness, Memory Board
19	36371.0000	1	Wiring Harness, Slide Gate
20	36306.0000	1	Wiring Harness, Circuit Board Interconnect

\* Indicates the part number listed is for reference only. See DESCRIPTION for possible service replacement.

## NUMERICAL INDEX

PART NO.	PAGE NO.	PART NO.	PAGE NO.	PART NO.	PAGE NO.	PART NO.	PAGE NO.
00622.0000.....	11	11192.0000.....	11	35861.0000.....	9		
00622.0001.....	11	11285.1000.....	11	35862.0000.....	9		
00718.0000.....	11	20545.0000.....	5	35874.1000.....	7		
00824.0000.....	5	20631.0000.....	11	35875.0000.....	7		
00906.0000.....	13	21457.0000.....	9	35893.0000.....	13		
00971.0000.....	11,13	23917.0000.....	7	35906.0000.....	11		
00987.0000.....	11	23919.0000.....	7	35909.0000.....	7		
01308.0000.....	5,13	23922.0000.....	7	35909.0002.....	7		
01311.0000.....	13	23923.0000.....	7	35910.0002.....	7		
01311.0001.....	7	24224.0000.....	7	35956.0000.....	7		
01315.0000.....	7	25126.0000.....	5	36047.0000.....	13		
01317.0000.....	5	26033.0001.....	9	36053.0001.....	9		
01326.0000.....	13	27728.0002.....	13	36053.0002.....	9		
01326.0008.....	5	28034.0000.....	13	36306.0000.....	13		
01338.0000.....	7	28683.0000.....	13	36335.0000.....	7		
01347.0002.....	13	29081.0002.....	13	36371.0000.....	13		
01355.0000.....	11	29699.1000.....	7	36372.0000.....	13		
01360.0001.....	7	32561.0000.....	5	36389.0000.....	9		
01382.0000.....	13	32568.0000.....	5	36398.0000.....	5		
01382.0002.....	5	32568.0001.....	5	36399.0000.....	5		
01382.0007.....	7	32569.0000.....	5	36425.0000.....	9		
01383.0000.....	7,9	32569.0001.....	5	36449.1000.....	13		
01383.0001.....	13	32570.0000.....	5	36553.0000.....	7		
01516.0000.....	13	32572.1000.....	7	36632.0000.....	5		
01539.0000.....	11	33144.0000.....	7	36632.0001.....	5		
01686.0000.....	13	33302.0000.....	13	36676.0000.....	13		
02311.0000.....	5,11	33303.0000.....	13	36711.0000.....	9		
02312.0000.....	11	34107.0000.....	11	36845.0000.....	7		
02313.0000.....	11	34213.0000.....	11	37711.0000.....	13		
02314.0000.....	11	35184.0000.....	11	37881.0000.....	5		
02327.0002.....	11	35233.0000.....	11	38712.1000.....	13		
02328.0002.....	11	35249.0000.....	11	38720.1000.....	13		
02330.0001.....	11	35260.0000.....	13	38721.1000.....	13		
02858.0001.....	7	35285.1000.....	13	39568.0000.....	5		
02999.0000.....	5	35285.1001.....	13	39570.0000.....	5		
05852.0001.....	11	35574.0000.....	13	39586.1000.....	5		
05861.1002.....	11	35732.0000.....	7	40616.0000.....	9		
05867.0000.....	11	35740.0001.....	5	40698.1000.....	9		
05870.0000.....	11	35740.0003.....	5	40701.0012.....	13		
05876.0000.....	7	35741.0000.....	5				
05881.0000.....	11	35743.0000.....	13				
05882.0000.....	11	35762.0000.....	7				
05884.0000.....	5	35765.1000.....	5				
05917.0006.....	7	35765.1002.....	5				
05917.0007.....	7	35766.0000.....	5				
05917.0009.....	7	35766.0001.....	5				
05917.0010.....	7	35769.0000.....	11				
05951.0000.....	11	35770.0000.....	13				
05954.0000.....	11	35771.1000.....	7				
05995.0000.....	11	35816.0000.....	9				
11090.0005.....	11	35817.0000.....	7				
11090.0008.....	11	35818.0000.....	7				
11180.0000.....	11	35843.1000.....	5				
11185.0001.....	11	35843.1001.....	5				
11191.0001.....	11	35858.0003.....	7				