


# ICB-DV SST

Height: 26.2" Width: 10.1" Depth: 24.4"  
(66.5cm) (25.7cm) (62.0cm)



- Brews into 2.5 to 3.8L (84 to 128oz) airpots and 3.8 and 5.7L (1 to 1.5gal) baseless ThermoFresh® servers for easy transport of coffee to other locations
- Three brew buttons allow for 3 separate brewing profiles. Two programmable batch switches allow full and half batch brewing.
- BrewWISE® intelligence with pre-infusion and pulse brew for maximum flavor extraction
- Digital display in English/Spanish for easier programming and control. Advertising messages and machine status also displayed. Display capable of showing English or Metric measurements.
- Dual voltage adaptable (Can operate at 120V/15 amp or 120/208-240V/20 amp)
- Easy pulse display allows for simplified programming of pulse routine
- Energy-saver mode reduces tank temperature during idle periods
- Hot water faucet
- Includes overlay kit for customization of brewer interface
- Large 3gal (11.4L) tank provides back-to-back brewing capacity at 120/208-240V applications
- Servers not included unless otherwise noted

 Server(s) sold separately

Agency:



## Specifications

**Product #:** 36600.0000

**Water Access:** Plumbed

**Finish:** Stainless

**Funnel:** Smart Funnel

## Additional Features

BrewWISE

## Electrical & Capacity

Volts*	Amps	Watts	Cord Attached	Plug Type	8oz cups/hr 236ml cups/hr	Input H <sub>2</sub> O Temp.	Phase	# Wires plus Ground	Hertz
120	14	1700	-	-	78	60°F (15.5°C)	1	2	60
120/208	14	2900	-	N/A	136	60°F (15.5°C)	-	-	-
120/240	17	4050	-	N/A	181	60°F (15.5°C)	-	-	-

\*When a BUNN is machine rated 120/208-240V, 120/208V or 120/240V, the higher voltage is the supply voltage needed to power the machine. The 120V is there to supply power to some components rated 120V in the machine, but it is not the supply voltage and would not power the machine if the machine is marked with the before mentioned ratings.

## Plumbing Requirements

PSI	kPa	Fitting Supplied	Water Flow Required (GPM)
20-90	138-621	3/8" Male Flare Fitting	-

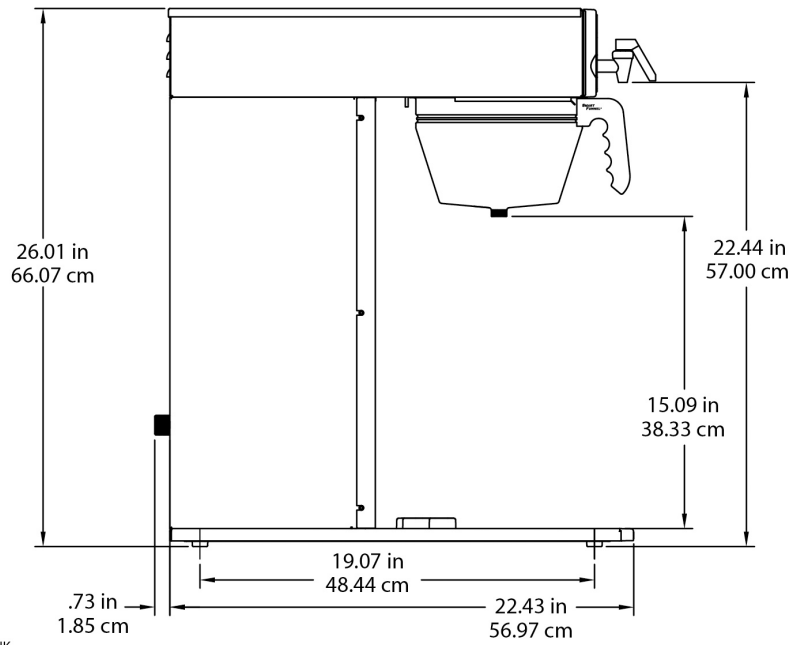
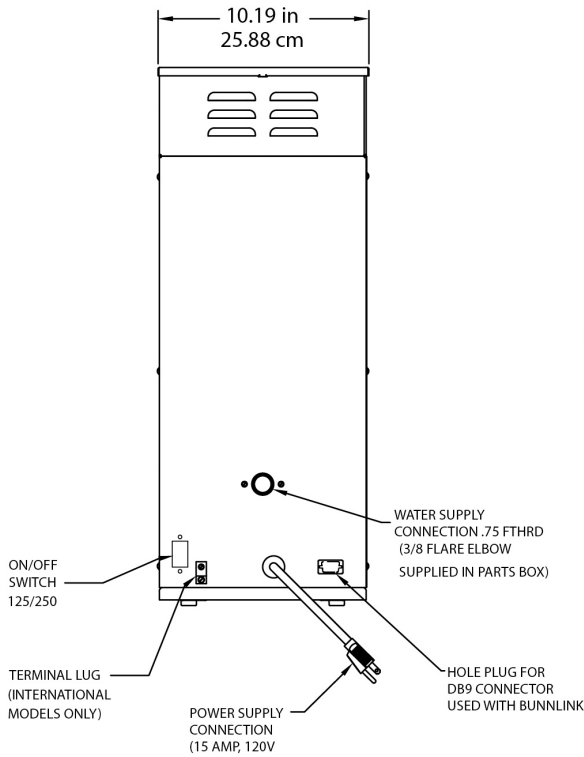
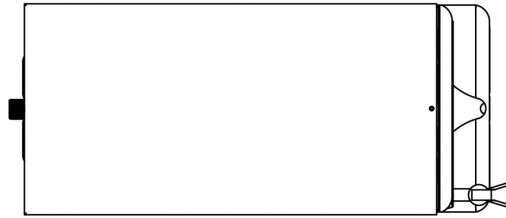
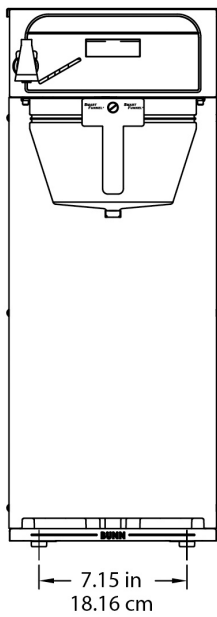
## CAD Drawings

2D	Revit	KLC
●		



BUNN® reserves the right to change specifications and product design without notice. Such revisions do not entitle the buyer to corresponding changes, improvements, additions or replacements for previously purchased equipment. For most current specifications and other info visit [bunn.com](http://bunn.com).

Last Updated:  
11/02/2020



	Unit			Shipping				
	Height	Width	Depth	Height	Width	Depth	Weight	Volume
English	26.2 in.	10.1 in.	24.4 in.	34.9 in.	13.3 in.	27.4 in.	46.936 lbs	7.321 ft <sup>3</sup>
Metric	66.5 cm	25.7 cm	62.0 cm	88.6 cm	33.7 cm	69.5 cm	21.290 kgs	0.207 m <sup>3</sup>



BUNN® reserves the right to change specifications and product design without notice. Such revisions do not entitle the buyer to corresponding changes, improvements, additions or replacements for previously purchased equipment. For most current specifications and other info visit [bunn.com](http://bunn.com).

Last Updated:  
11/02/2020

Related Products & Accessories: ICB-DV SST(36600.0000)



FILTERS, GOURMET 500  
500/1 50/CL

Product #: 20138.1000



STAND ASSY, TF  
SERVER

Product #: 39795.0003



BUNN® reserves the right to change specifications and product design without notice. Such revisions do not entitle the buyer to corresponding changes, improvements, additions or replacements for previously purchased equipment. For most current specifications and other info visit [bunn.com](http://bunn.com).

Last Updated:  
11/02/2020

# Serving & Holding Options: ICB-DV SST(36600.0000)



AIRPOT, 2.5L GL PB  
SINGLE PK

Product #:13041.0001



AIRPOT, 2.5L GL PB 6/  
CASE

Product #:13041.0101



AIRPOT, 2.5L SST LA  
SINGLE PK

Product #:32125.0000



AIRPOT, 2.5L SST LA 6/  
CASE

Product #:32125.0100



AIRPOT, 3.0L SST LA  
SINGLE PK

Product #:32130.0000



AIRPOT, 3.0L SST LA 6/  
CASE

Product #:32130.0100



AIRPOT, 3.8L SST LA  
SINGLE PK

Product #:36725.0000



AIRPOT, 3.8L SST LA 6/  
CASE

Product #:36725.0100



STAND ASSY, TF  
SERVER

Product #:39795.0003



TF SERVER, DSG2 1G  
SST NOBASE

Product #:42700.0050



TF SERVER, DSG2 1G  
BLK NOBASE

Product #:42700.0051



TF SERVER, DSG2 1G  
SST CD NOBAS

Product #:42700.0052



TF SERVER, DSG2 1.5G  
SST NOBAS

Product #:42750.0050



TF SERVER, DSG2 1.5G  
SST CD NOBAS

Product #:42750.0052



TF SERVER, 1G/3.8L  
MECH NOBASE

Product #:44000.0050



TF SERVER, 1G/3.8L  
MECH BLK NOBASE

Product #:44000.0051



TF SERVER, 1.5G/5.7L  
MECH NOBASE

Product #:44050.0050



TF SERVER, 1.5G/5.7L  
MECH BLK NOBASE

Product #:44050.0051



BUNN® reserves the right to change specifications and product design without notice. Such revisions do not entitle the buyer to corresponding changes, improvements, additions or replacements for previously purchased equipment. For most current specifications and other info visit [bunn.com](http://bunn.com).

Last Updated:  
11/02/2020