

Virtu

Spare Parts Manual

Coffee Machine

Virtu 70 and 90 series

9CECK with CoEx Brewer



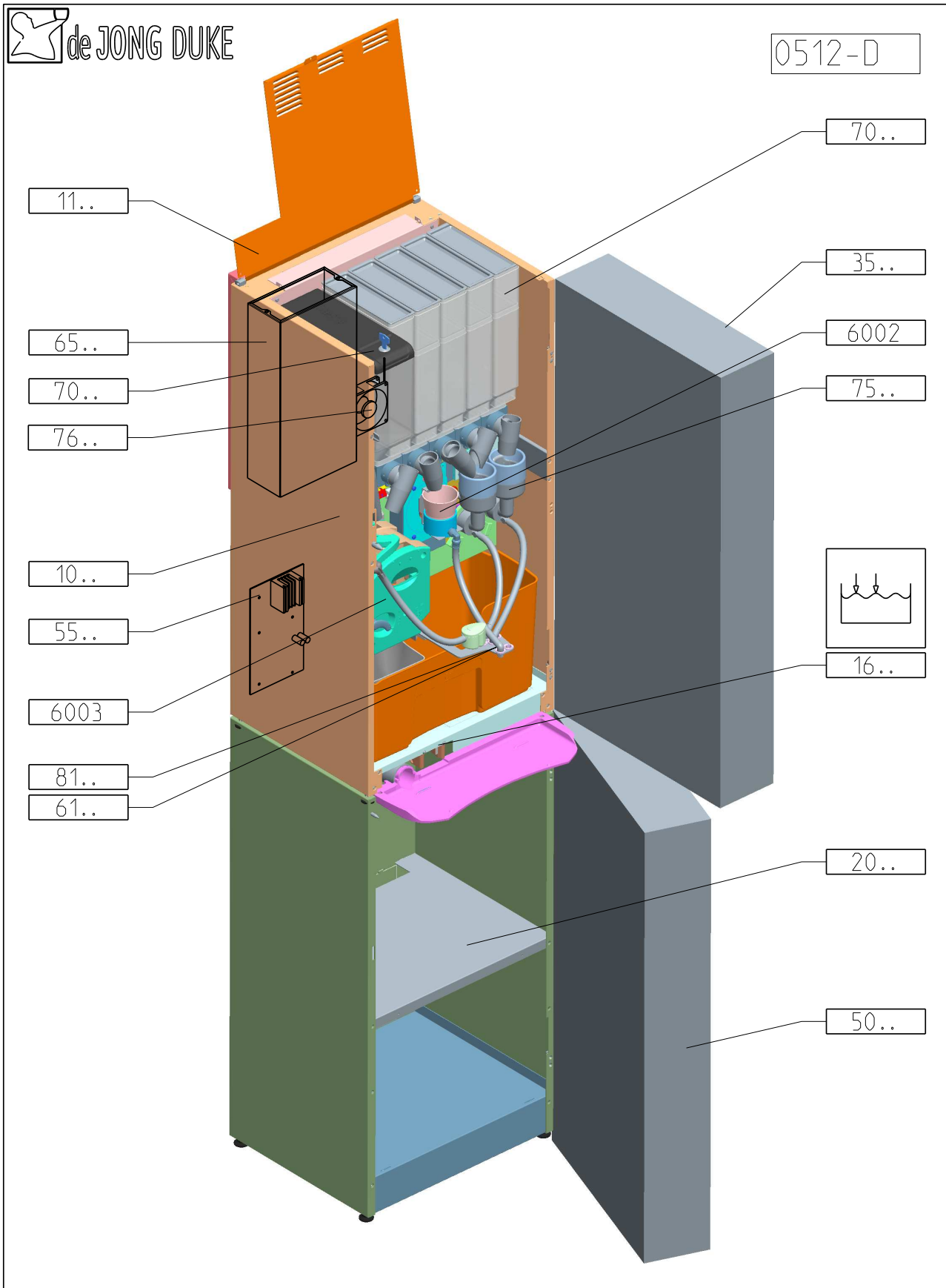
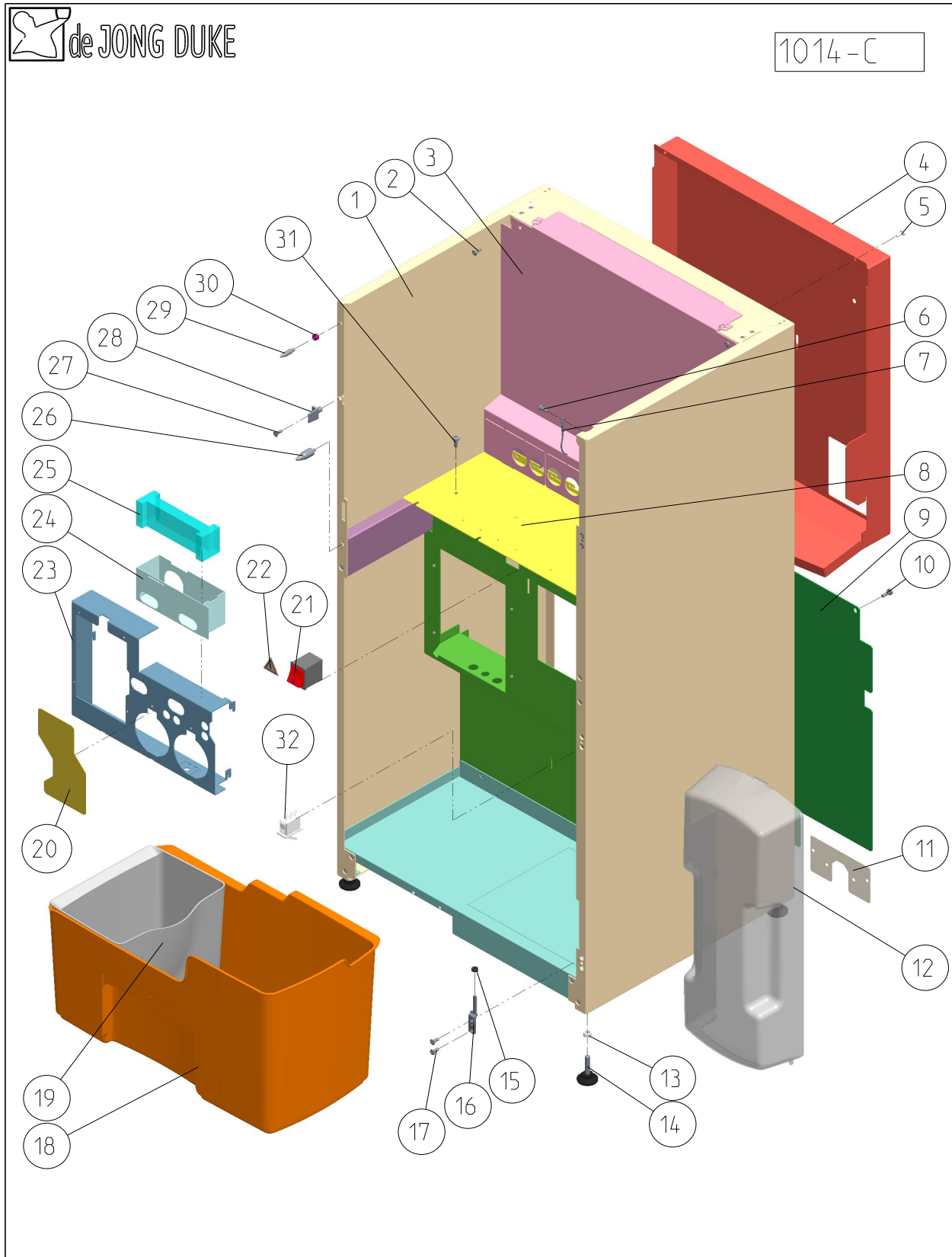


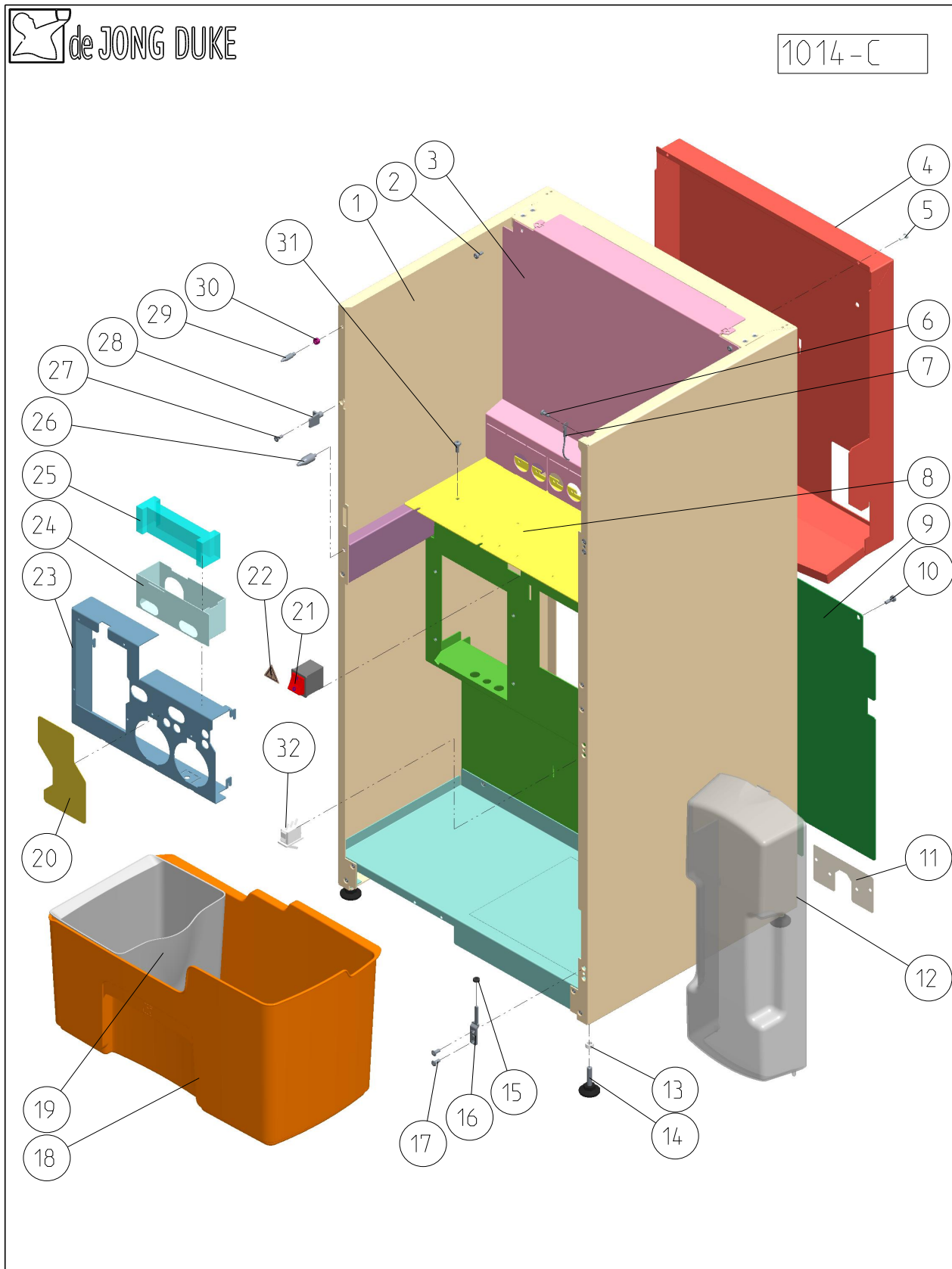


Table of Contents

0512 Overview 9CEC - Virtu 70-90	2
1014 Cabinet 9CEC.....	4
1603 Drip tray Sensor.....	8
2001 Base Cabinet Medium.....	10
3518 Door Virtu Medium.....	12
4012 Display Virtu	16
4304 Cup Stand	20
4509 Coin Acceptor in Door	22
4512 Change Giver in Door.....	26
4515 Payment Unit	28
5007 Base Cabinet Door Medium	32
5507 MoVeC ICEQ IOB and PSU.....	34
5514 MoVeC ICEQ Controller Board.....	36
5515 MoVeC ICEQ2 Controller Board	38
6002 Tea Brewer	42
6003 CoEx Brewer Overview	46
60031 CoEx Brewer Motor Assembly	48
60032 CoEx Brewer Assembly	50
6106 CoEx Brewer Outlet	54
6502 Open Boiler Overview.....	58
65021 Open Boiler Lid.....	60
65022 Open Boiler.....	64
6503 Pressure Boiler 9CEC.....	66
6503 Pressure Boiler PPSU 9CEC	70
6602 Valves Metal 9CEC	74
6605 Valves PPSU 9CEC	76
7010 Canister Complete 9CEC.....	78
70101 Canister Body.....	86
70102 Canister Wheel and Spring	88
70103 Canister Base.....	90
7015 Bean Canister	92
7102 S-Grinder T0-T1	94
7103 D-Grinder Assembly.....	98
7104 D-Grinder	100
7503 Mixer System.....	102
7602 Fan.....	104
8001 Cup Mechanism	106
8102 Outlet Mechanism.....	110
9000 Recommended Tools	112
Disclaimer	116



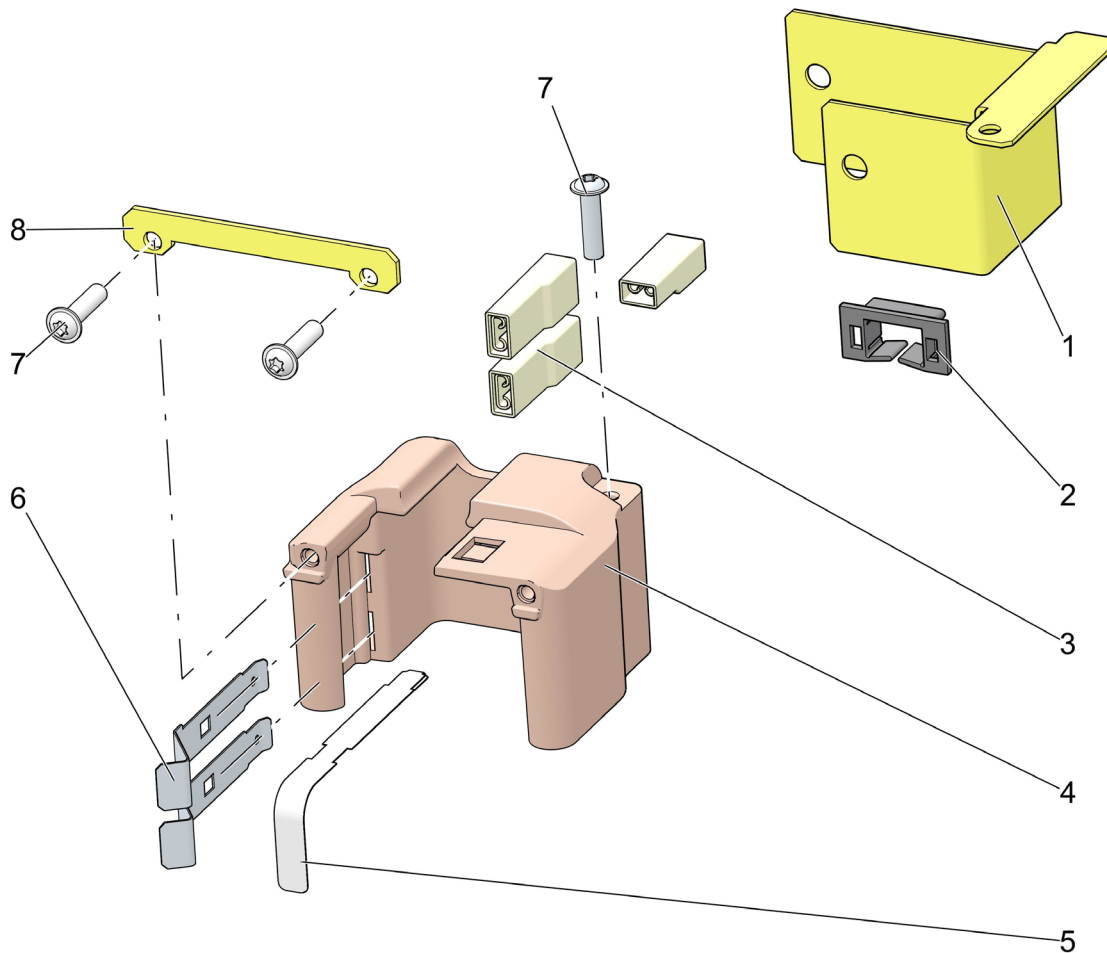
<i>Drawing</i>	<i>Pos</i>	<i>S</i>	<i>Part Nr</i>	<i>Qty</i>	<i>Spare Part Description</i>
1014-C			6HKA066-RAL9005		Cabinet complete type 9CEC <i>with items: 1, 3, 4, 8, 9, 11</i>
1014-C	01		6HKA062-RAL9005		Cabinet type 9CEC
1014-C	02		4BBK032		Bolt
1014-C	03		5MBH395-RAL9005		Canister back plate
1014-C	04		5MVL188-KTL		Upper frame for boiler 9CEC
1014-C	05		4BSC022		Cutting screw 3,5x9,5
1014-C	06		4BSC022		Cutting screw 3,5x9,5
1014-C	07		KA338		Ground wire (litz)
1014-C	08		5MBH233-RAL9005		Canister plate
1014-C	09		5MBH394		Back plate
1014-C	10		4BBK032		Bolt
1014-C	11		5MVL082		Fixing plate inlet valve
1014-C	12		5KAE002		Cover IOB & power supply
1014-C	13		4KAB008		Spacer 6.2x10x5
1014-C	14		KA23		Machine feet
1014-C	15		5KAB002		Spacer
1014-C	16		5MHS015		Hinge
1014-C	17		4BBK011		Bolt M4x10
1014-C	18	SW	5KAF119		Waste bucket CEC
1014-C	18	SW	5KAF093		Waste Guide (option) <i>Replacement procedure:</i> Remove: -5KAF119 Waste bucket - 5KAF118 Drip tray under CoEx brewer (pos 19) - 6CSS055 Drip tray sensor short (drawing 60031) Install: - 6CSS047 - drip tray sensor 11cm long - 5KAF090 - Drip tray under CoEx brewer - 5KAF093 - Waste guide
1014-C	19	SW	5KAF118		Drip tray under CoEx brewer
1014-C	20		5KFR041		Plate screens blender breach
1014-C	21	SW	4ESK020		Tumbler switch red
1014-C	22		5TAB020		Sticker electrical/safety
1014-C	23		5MMX031-KTL		Housing 3 mixers
1014-C	23		5MMX032-KTL		Housing 2 mixers/tea brewer



Drawing	Pos	S	Part Nr	Qty	Spare Part Description
1014-C	24		5MAF072-KTL	1	Suction filter drawer (L~200mm) <i>for 1 to 3 mixers</i>
1014-C	24		5MAF074	1	Suction filter drawer lid (L~200mm) <i>for 1 to 3 mixers</i>
1014-C	24		5MAF073-KTL	1	Suction filter drawer (L~100mm) <i>for 1 to 2 mixers / tea brewer</i>
1014-C	24		5MAF075	1	Suction filter drawer lid (L~100mm) <i>for 1 to 2 mixers / tea brewer</i>
1014-C	25		5KAF058		Suction filter for 3 mixers
1014-C	25		5KAF096		Suction filter for 2 mixers/tea brewer
1014-C	26		5MDF032		Door pin
1014-C	27		4BSC052		Screw 3,5x10 Tx15
1014-C	28	SW	5KDS039		Retched Door Switch ICEQ
1014-C	29		5MDF011		Door pin
1014-C	30		4BMZ011		Nut Lock M4
1014-C	31		4BBK032		Bolt
1014-C	32		4ESK041	1	Waste bucket detector switch
			6CKB484		Wire harness 9CEC 24v Movec 2000
			6CKB483		Wire harness 9CEC 230V AC
			6CKB471		Wire harness 9CEC 24v Movec ICEq
HISTORY					
1014-C	18		5KAF087		Waste bucket <i>Replaced by 5KAF119</i>
1014-C	19		5KAF090		Drip tray under CoEx brewer <i>Replaced by 5KAF118</i>
			6CKB305		Wire harness 9CEC 24v Movec 2000 <i>Replaced by 6CKB484</i>
			6CKB306		Wire harness 9CEC 230V AC <i>Replaced by 6CKB483</i>

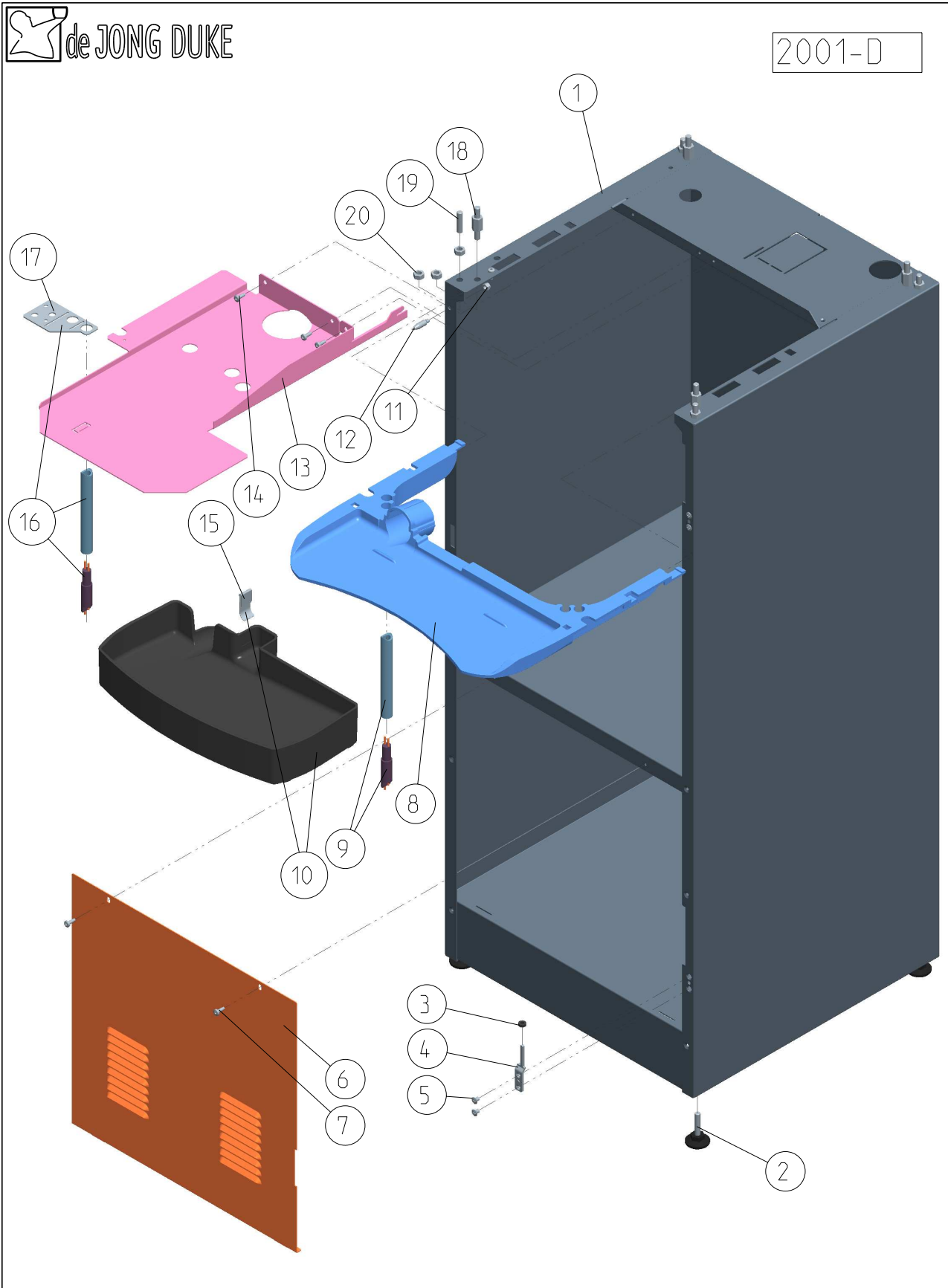
- Part numbers marked with "SE" are Service parts Engineer stock
- Part numbers marked with "SW" are Service parts Warehouse stock
- Part numbers marked with "n/a" are Not Available as spare part
- De Jong Duke recommends to have service parts directly available on local or car stock.

1603-C



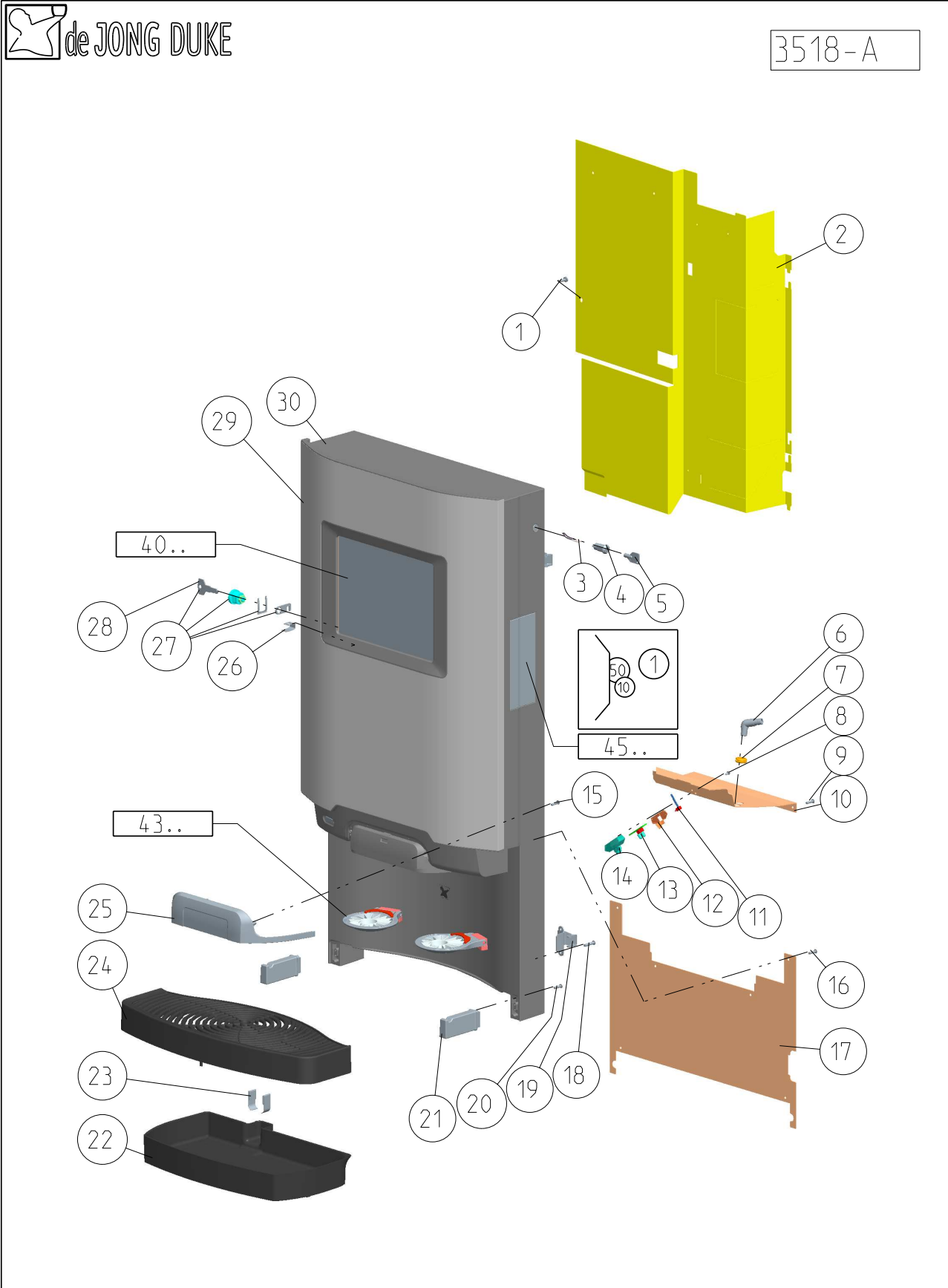
<i>Drawing</i>	<i>Pos</i>	<i>S</i>	<i>Part Nr</i>	<i>Qty</i>	<i>Spare Part Description</i>
					SETS
1603-C		SW	6CSS060		Drip tray connector assembly <i>with items 3, 4, 5, 6</i>
1603-C		SW	6CSS067		Drip tray connector assembly Nio <i>with items 1, 2, 3, 4, 5, 6, 7, 8</i>
					PARTS
1603-C	01		5MAF101- RAL9005	1	Back bracket - powder coated <i>(Nio only)</i>
1603-C	02		4KBM053	1	Cable saddle edge mount <i>(Nio only)</i>
1603-C	03		6CKB456	1	Cable
1603-C	04		5KAF135	1	Sensor housing <i>NOTE: only use in combination with 5MVR046</i>
1603-C	05		5MVR046	1	Connector clip <i>NOTE: only use in combination with 5KAF135</i>
1603-C	06		5MVR030	2	Side spring connector
1603-C	07		4BSC036	2	Screw torx 3.5x13.5
1603-C	08		5MVL214	1	Front bracket <i>(Nio only)</i>
					HISTORY
1603-B		SW	6CSS042		Drip tray connector assembly <i>Replaced by 6CSS060 from S/N 2017.11.xxxx.001</i>
1603-B	01		5MAF101	1	Back bracket - untreated <i>Replaced by 5MAF101-RAL9005 from S/N 2020.04.6766.001</i>
1603-B	04		5KAF114	1	Sensor housing <i>Replaced by 5KAF135 from S/N 2017.11.xxxx.001</i>
1603-B	05		5MVR033	1	Connector clip <i>Replaced by 5MVR046 from S/N 2017.11.xxxx.001</i>

- Part numbers marked with "SE" are Service parts Engineer stock
- Part numbers marked with "SW" are Service parts Warehouse stock
- Part numbers marked with "n/a" are Not Available as spare part
- De Jong Duke recommends to have service parts available on local stock or car stock.

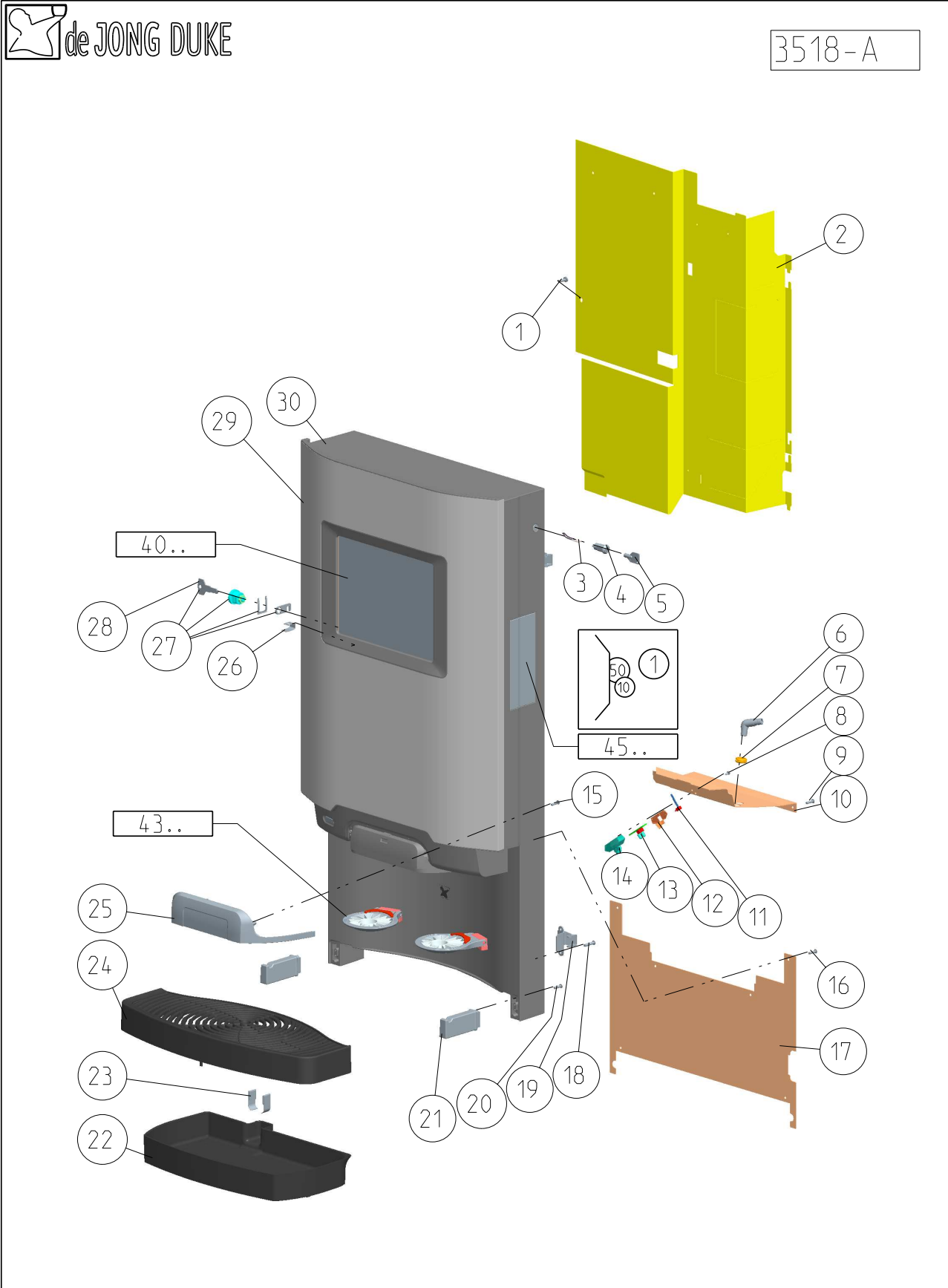


Drawing	Pos	S	Part Nr	Qty	Spare Part Description
2001-D	01		6HKA015-RAL9011		Base cabinet medium <i>for all medium models and Nio</i>
2001-D	02		KA23		Feet
2001-D	03		4KAB002		Distance holder 4.2x8x3
2001-D	04		5MHS015		Hinge
2001-D	05		4BBK011		Bolt M4x10
2001-D	06		5MPL151-KTL		Cover cooling unit in base-cabinet medium
2001-D	07		4BSC022		Cutting screw 3.5x9.5
2001-D	08		5KAF109		Drip tray Base plate medium <i>for Virtu (Varea/V'eco), Zia, Lua</i>
2001-D	09		6CSS043		Drip tray/waste bucket sensor with connector
2001-D	10		9AOV012		Drip tray drain set for base cabinet medium <i>for Virtu (Varea/V'eco), Zia, Lua</i>
2001-D	10		5KAF108		Drip tray Waste Guide medium <i>for Virtu (Varea/V'eco), Zia, Lua</i>
2001-D	11		4BMZ011		Nut Lock M4
2001-D	12		5MDF011		Door pin
2001-D	13		5MAF036	1	Base plate drip tray <i>for SiroTouch</i>
2001-D	14		4BSC022	3	Cutting screw 3.5x9.5
2001-D	15		5MVR031		Spring clip drip tray
2001-D	16		6CSS020		Water Sensor (Cpl. for Base cabinet) <i>for SiroTouch</i>
2001-D	17		5MPL088		Holder for sensor <i>for SiroTouch</i>
2001-D	18		5BBZ008	4	Distance holder <i>for 9FEC, 9INA, 9IEA, 9FND (S/N < 2011.12.xxxx.xxx)</i>
2001-D	19		4BBY022	4	Distance holder screw M6x25
2001-D	20		4BMZ007	8	Nut M6

- Part numbers marked with "SE" are Service parts Engineer stock
- Part numbers marked with "SW" are Service parts Warehouse stock
- Part numbers marked with "n/a" are Not Available as spare part
- De Jong Duke recommends have service parts available on local stock or car stock.



Drawing	Pos	S	Part Nr	Qty	Spare Part Description
40..					Refer to drawing 4012 Display Virtu
43..					Refer to drawing 4305 CupStand Small
45..					Refer to drawings 45.. Payment systems
3518-A		SE	6CSS041	1	Cup sensor complete <i>with items 8, 12, 13, 14</i>
3518-A		SW	6AOV031	1	Drip tray complete with spring clips
3518-A	01		4BBK032	1	Bolt M4x12
3518-A	02		5MDR413-KTL	1	Plate internal
3518-A	03	SW	6CKB432	1	Wire harness
3518-A	04		4ESK004	1	Key switch (Jug) incl. key
3518-A	05	SW	4MHS009	1	Key 826 (SLS-4ESK004)
3518-A	06	SE	5KVL022	2	Outlet knee (107 grd d=10)
3518-A	07		4RDT009	3	Outlet tube 10x8x18
3518-A	08		4BSC042	4	Screw 2.2x6.5
3518-A	09		4BSC036	2	Screw torx 3,5x13,5
3518-A	10		5MDR414-RAL9005	1	Dispense plate central for cup mechanism
3518-A	10		5MDR415-RAL9005	1	Dispense plate decentralised
3518-A	11	SW	6CKB432	1	Wire harness
3518-A	12		5KBK032	1	Lid cup sensor
3518-A	13	SW	5EPR133	1	Cup sensor Movec ICEQ
3518-A	14		5KBK031	1	Cup sensor holder
3518-A	15		4BSC036	2	Screw torx 3,5x13,5
3518-A	16		4BSC036	6	Screw torx 3,5x13,5
3518-A	17		5MDR416-RAL9005	1	Door Plate
3518-A	18		4BSC036	4	Screw torx 3,5x13,5
3518-A	19		5MHS012	2	Door hinge
3518-A	20		4BSC036	2	Screw torx 3,5x13,5
3518-A	21		5KAF104	2	Drip tray guide
3518-A	22		5KAF102	1	Drip tray
3518-A	23		5MVR031	2	Drip tray spring clip
3518-A	24	SW	5KAF103	1	Drip tray grid
3518-A	25		5KDR039-RAL9006	1	Dispense front (white aluminium finish)
3518-A	25		5KDR039-MAT	1	Dispense front (matte finish)

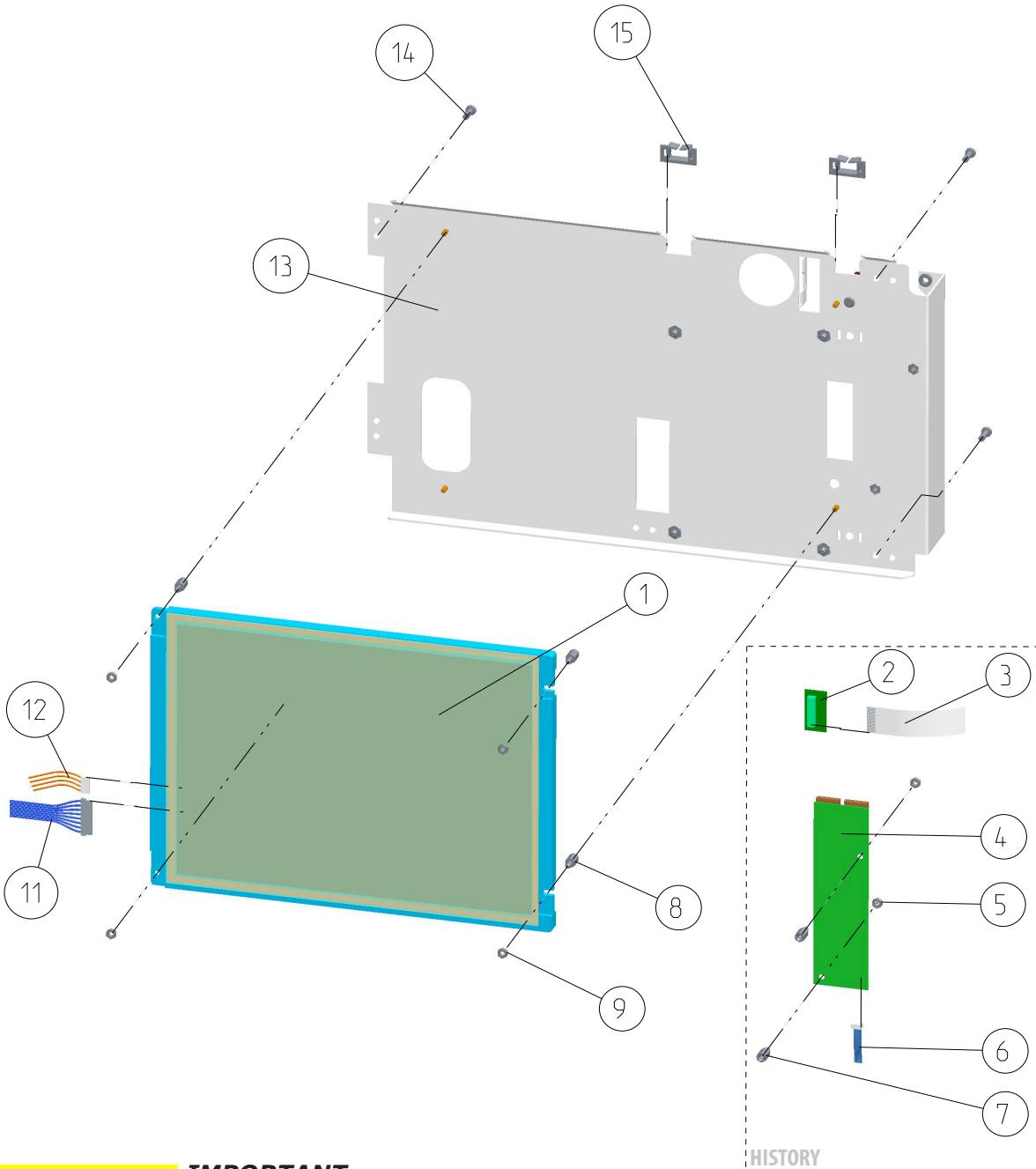


Drawing	Pos	S	Part Nr	Qty	Spare Part Description
3518-A	26		5MHS040	1	Plate doorpin
3518-A	27	SW	9HDR078	1	Lock with clip (large hook)
3518-A	28	SE	4MHS042		Key for door lock 9HDR078
3518-A	29		9HDR062	1	Front plate vivinox incl. sticking
3518-A	29		5MDR412	1	Front plate vivinox with change giver
3518-A	30		5KDR037-11194	1	Door Virtu Medium
3518-A	30		5KDR042	1	Cover plate coin acceptor Virtu T1
HISTORY					
3518-A	25		5KDR039-GLANS	1	Dispense front (glossy finish) <i>Replaced by 5KDR039-RAL9006 from s/n 2021.48.xxx.xxx, note: color is not identical</i>
3518-A	27	SW	4MHS026	1	Lock with clip (small hook) <i>Discontinued from S/N 2011.22.xxxxx.xxx</i>
3518-A	27	SW	4MHS026	1	Lock with clip (large hook) <i>Replaced by 9HDR078 from S/N 2016.05.xxxx.xxx</i>
3518-A	28	SE	4MHS027		Key for door lock 4MHS026 <i>Replaced by 4MHS042 from S/N 2016.05.xxxx.xxx</i>

- Part numbers marked with "SE" are Service parts Engineer stock
- Part numbers marked with "SW" are Service parts Warehouse stock
- Part numbers marked with "n/a" are Not Available as spare part
- De Jong Duke recommends to have service parts available on local (SW) or car stock (SE).



4012-B



HISTORY



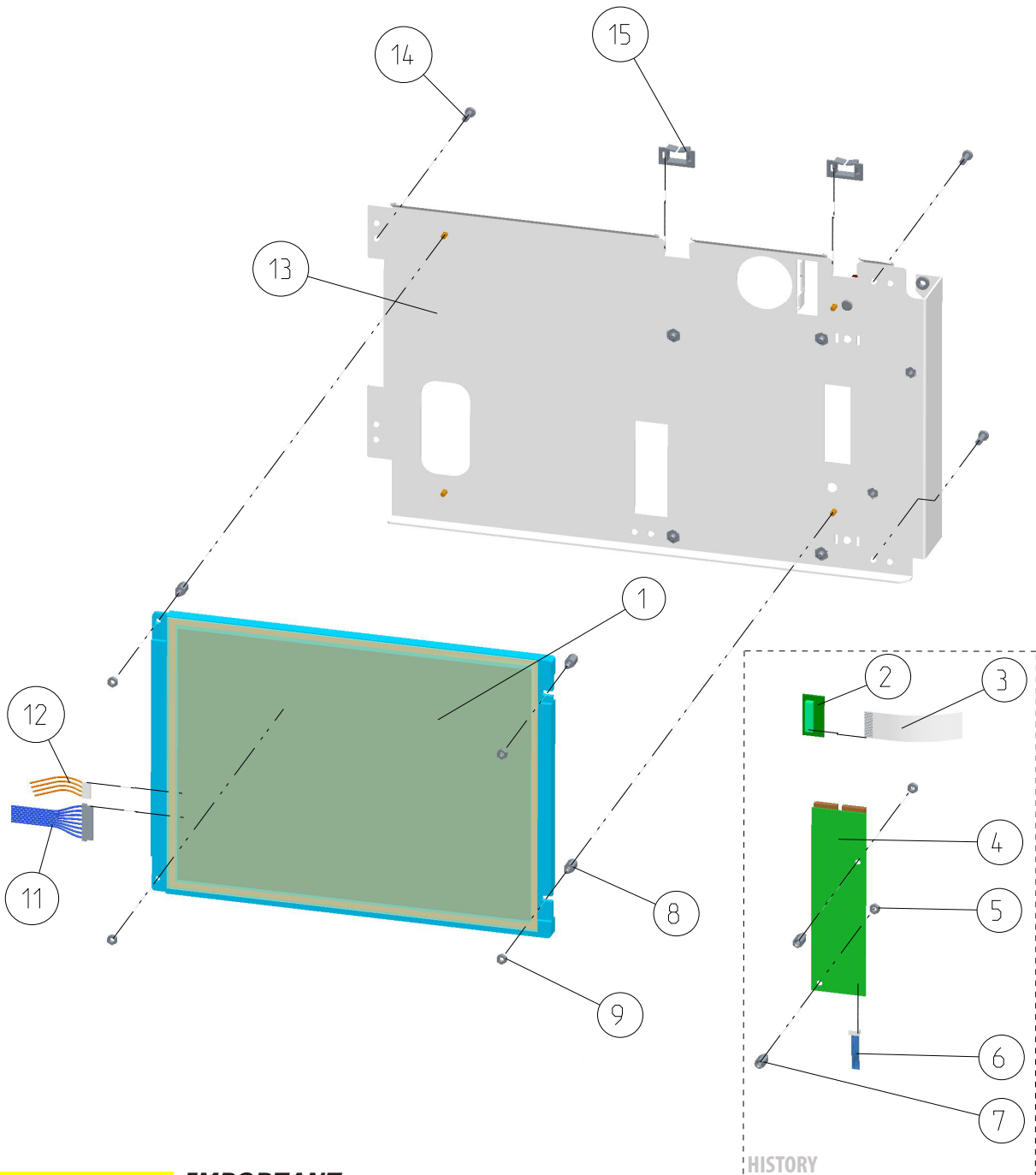
IMPORTANT

To prevent Electrostatic discharge (ESD), always use an ESD wrist strap. Make sure to connect it to the door ground cable of the coffee machine before handling the boards.

Drawing	Pos	S	Part Nr	Qty	Spare Part Description
4012-B	01	SW	6CDP013	1	800x600 LVDS Touch Display 10,4" (Neg. Backlight) <i>NOTE: MoVeC ICEQ2 required (see drawing 5515)</i>
4012-B	08		4BAF028	4	Distance holder M3, 8mm
4012-B	09		4BMZ002	4	Nut M3
4012-B	11		6CKB485	1	Cable for controller board-display LVDS
4012-B	12		6CKB488	1	Cable for backlight LVDS ICEQ2
4012-B	13		5MDR484	1	Display mounting bracket for Virtu Small
4012-B	13		5MDR485	1	Display mounting bracket for Virtu Medium
4012-B	14		4BSC047	3	Screw EJOT PT KB 3.5x10
4012-B	15		4BKM053	2	Cable saddle edge mount
					Used display / cable combinations: A, B or C Update A to B is possible Update A to C is <u>not</u> possible Update B to C is not possible
				A	<u>A - 6CDP009 display 640x480</u>
4012-B	13		5MDR428	1	Display mounting bracket <i>Discontinued from S/N 2015.37.xxx.001</i>
4012-B	0=7		n/a		Parts not available <i>Order Replacement set 9HDR080 to update to combination B.</i>
4012-B			9HDR080	1	Replacement set (in fact update A --> B) <i>Contains the following components:</i> 6CDP011 640x480 LVDS Touch Display 10,4" 6CKB485 Cable for controller board-display LVDS 6CKB486 Cable for backlight converter LVDS ICEQ1 9EPR011 MoVeC ICEQ2 controller board (see drawing 5515)
				B	<u>B - 6CDP011 display 640x480</u>
4012-B	13		5MDR428	1	Display mounting bracket <i>Discontinued from S/N 2015.37.xxx.001</i>
4012-B	01	SW	6CDP011	1	640x480 LVDS Touch Display 10,4" (Neg. Backlight) <i>Discontinued in production from S/N 2015.37.xxxx.001</i>
4012-B	03	SW	6CKB485	1	Cable for controller board-display LVDS
4012-B	06	SW	6CKB486	1	Cable for backlight converter LVDS ICEQ1 <i>Discontinued in production from S/N 2015.37.xxxx.001</i>
				C	<u>C - 6CDP013 display 800x600</u>
4012-B	13		5MDR484	1	Display mounting bracket for Virtu Small
4012-B	13		5MDR485	1	Display mounting bracket for Virtu Medium
4012-B	01	SW	6CDP013	1	800x600 LVDS Touch Display 10,4" (Neg. Backlight) <i>NOTE: MoVeC ICEQ2 required (see drawing 5515)</i>
4012-B	03	SW	6CKB485	1	Cable for controller board-display LVDS



4012-B



IMPORTANT

To prevent Electrostatic discharge (ESD), always use an ESD wrist strap. Make sure to connect it to the door ground cable of the coffee machine before handling the boards.

<i>Drawing</i>	<i>Pos</i>	<i>S</i>	<i>Part Nr</i>	<i>Qty</i>	<i>Spare Part Description</i>
4012-B	06	SW	6CKB488	1	Cable for backlight converter LVDS ICEQ2
HISTORY					
4012-B	01	SW	6CDP009	1	Touch display 10,4" (Pos. Backlight / TTL) <i>Discontinued in production *</i>
4012-B	01	SW	6CDP011	1	640x480 LVDS Touch Display 10,4" (Neg. Backlight) <i>Discontinued in production from S/N 2015.37.xxxx.001</i>
4012-B	02	SW	5EPR121	1	Touch display 10,4" converter <i>Discontinued from *</i>
4012-B	03	SW	6CKB422	1	Cable for controller board-display converter <i>Discontinued in production from *</i>
4012-B	04	SW	4EPR016	1	Backlight converter 10,4 inch <i>Discontinued in production from *</i>
4012-B	05		4BMZ002	2	Nut M3
4012-B	06	SW	6CKB424	1	Cable for backlight converter <i>Discontinued in production from *</i>
4012-B	06	SW	6CKB486	1	Cable for backlight converter LVDS ICEQ1 <i>Discontinued in production from S/N 2015.37.xxxx.001</i>
4012-B	07		4BAF028	2	Distance holder M3, 8mm
4012-B	10		n/a	1	<i>Not used / not drawn</i>
4012-B	13		5MDR428	1	Display mounting bracket <i>replaced by 5MDR484 from S/N 2015.37.xxx.001</i>

**) Discontinued in production from
S/N 2014.02.xxxx.xxx for Virtu Small
S/N 2013.51.xxxx.xxx for Virtu Medium*



6CDP009 (A)



6CDP011 (B)



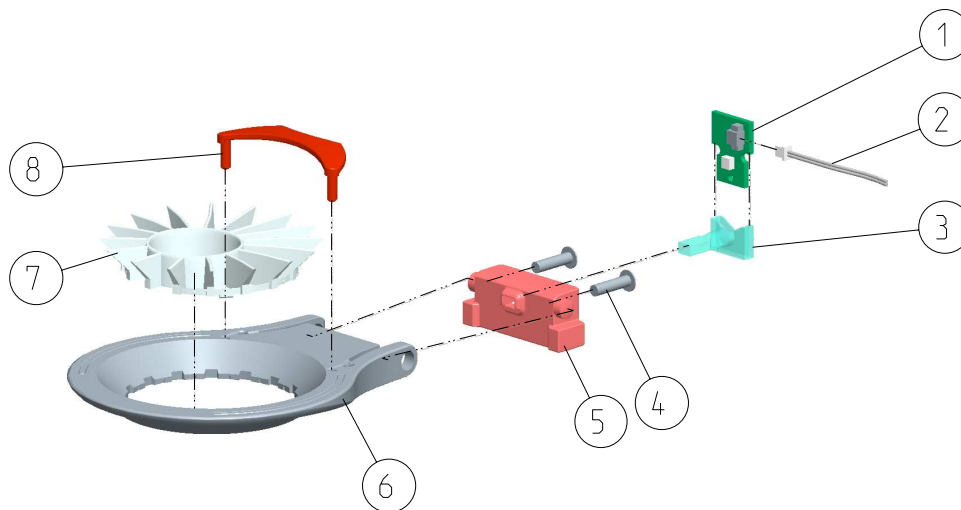
6CDP013 (C)

Recognizing the display mounted on the back of the metal bracket:

6CDP009 (left) is connected to the ICEQ board with a **flat cable**

6CDP011 (middle) is **white** on the back

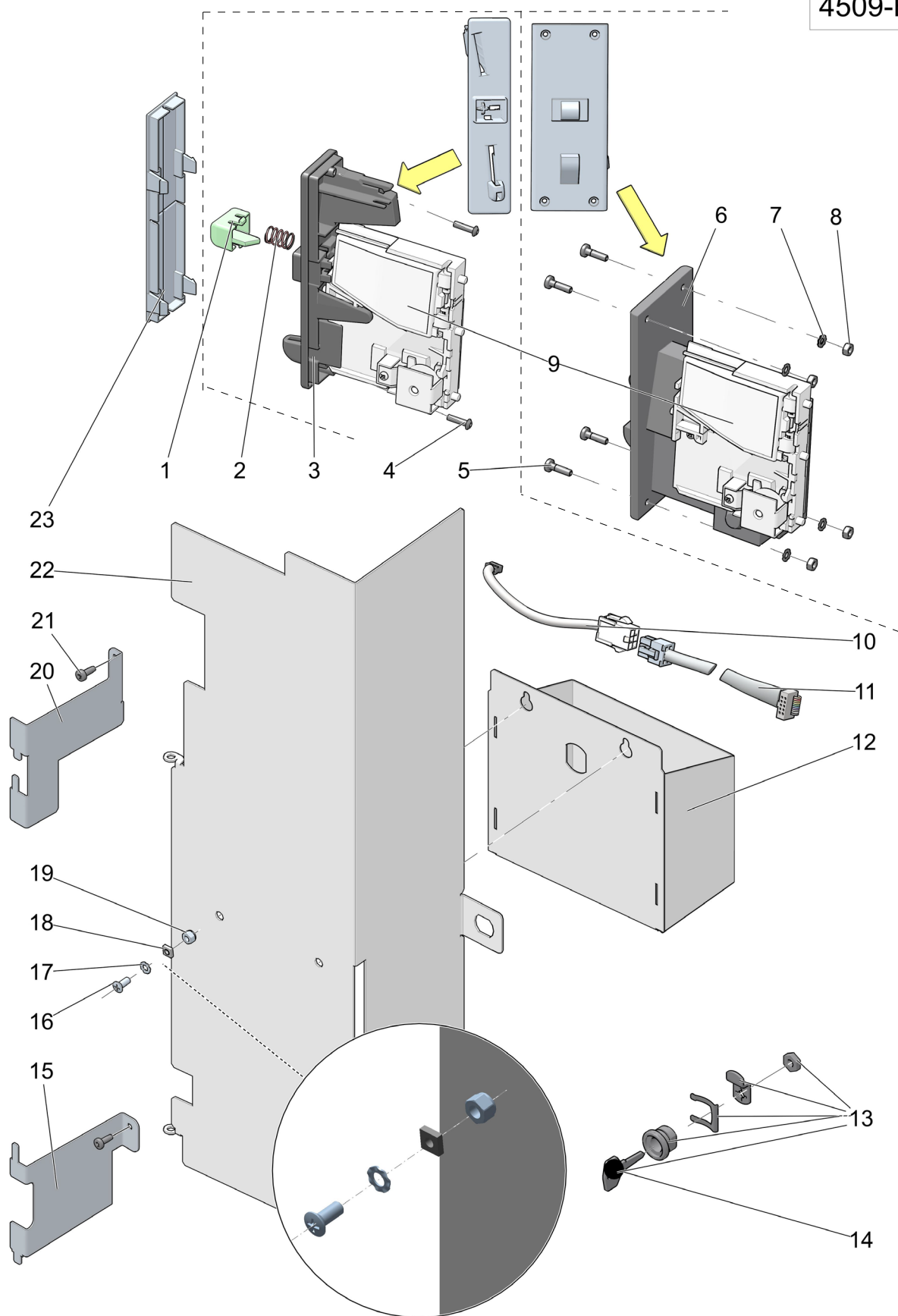
6CDP013 (right) is **white and dark** on the back



Drawing	Pos	S	Part Nr	Qty	Spare Part Description
4304-A		SW	6BMB029	2	Lighted cup tray assembly with items 1, 3, 5, 6, 7, 8 (black)
4304-A	01	SW	5EPR124	1	Led board cup stand
4304-A	02	SW	6CKB432	1	Wire harness door T1 (medium model)
4304-A	03		5KBK054	1	Light guide cup stand
4304-A	04	SE	4BSC036	2	Screw torx 3,5x13,5
4304-A	05		5KBK052	1	Hinge cup stand
4304-A	06		5KBK053	1	Cup stand base part
4304-A	07		5KBK027	1	Grid cup stand
4304-A	08		5KBK028	1	Cup-positioner cup stand (black)
4304-A	08		5KBK028-ROOD	1	Cup-positioner cup stand (Red)

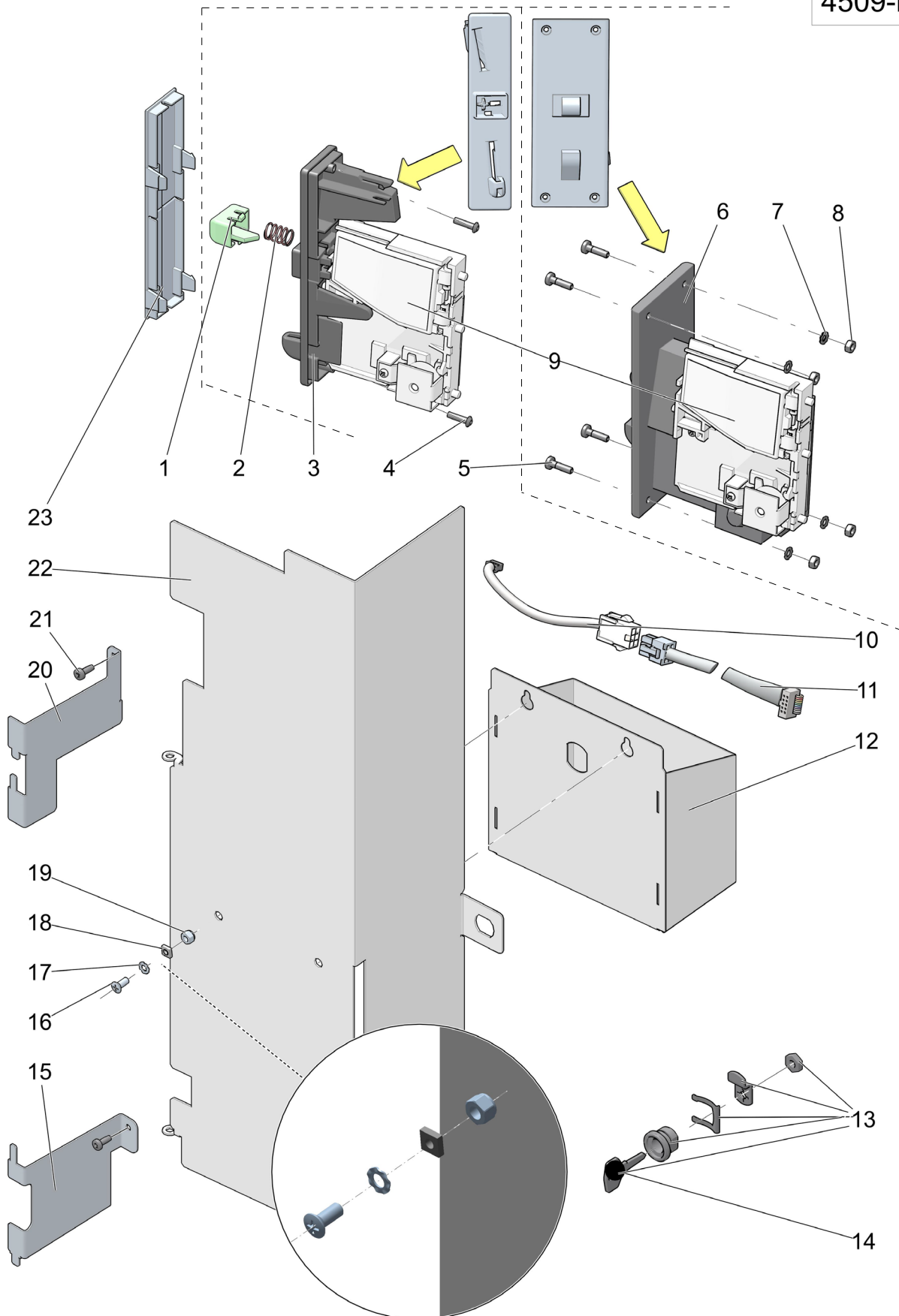
- Part numbers marked with "SE" are Service parts Engineer stock
- Part numbers marked with "SW" are Service parts Warehouse stock
- Part numbers marked with "n/a" are Not Available as spare part
- De Jong Duke recommends to have service parts available on local (SW) or car (SE) stock.

4509-B2



Drawing	Pos	S	Part Nr	Qty	Spare Part Description
					Virtu* Medium
4509-B2			9MDG013	1	Coin acceptor G13 with front plate wide <i>with items 6 and 9</i>
4509-B2		SW	9MDG040	1	Coin acceptor Set for Virtu* Medium without ac- ceptor and front plate <i>with items 5, 7, 8, 10, 12, 13, 16-19 and 22</i>
					Siro Touch Small & Medium
4509-B2			9MDG013	1	Coin acceptor G13 with front plate wide <i>with items 6 and 9</i>
4509-B2			9MDG032	1	Coin acceptor Set for Siro (Touch) Small without acceptor and front plate <i>with items 5, 7, 8, 10, 12 and 13</i>
4509-B2			9MDG033	1	Coin acceptor Set for Siro (Touch) Medium with- out acceptor and front plate <i>with items 5-8, 10, 12, 13, 16-19 and 22</i>
					Zia Medium
4509-B2			4EMU020	1	Coin acceptor G13 (MDB, euro) without front plate small
4509-B2		SW	9MDG048	1	Coin acceptor Set for Zia Medium without accep- tor with front plate small <i>with items 1-5, 7, 8, 10-13 and 15-22</i>
4509-B2	01		5KMS016	1	Return button NRI small
4509-B2	02		5MVR024	1	Return button spring NRI small
4509-B2	03		5KMS015	1	Front of acceptor NRI small (Zia Medium)
4509-B2	04		4BSC036	2	Torx screw 3.5x13.5
4509-B2	05		4BBV048	4	Bolt M4 x 20
4509-B2	06		4KMS001	1	Coin-insert front G13 wide (Virtu*/Siro T Medi- um)
4509-B2	07		4BVR002	4	Star Washer M4
4509-B2	08		4BMZ003	4	Nut M4
4509-B2	09		4EMU020	1	Coin acceptor G13 (MDB, euro) without front plate
4509-B2	10		6CKB508	1	MDB Adapter cable 0.1 m (ICEQ2 only)
4509-B2	10		6CKB509	1	MDB Adapter cable 1.6 m (ICEQ2 only)
4509-B2	11		6CKB513	1	MDB cable 0.5m
4509-B2	12		6MOV035- RAL9005	1	Coin box acceptor Siro/Virtu*/Zia Medium
4509-B2	12		6MOV031- RAL9005	1	Coin box acceptor Siro Touch Medium

4509-B2

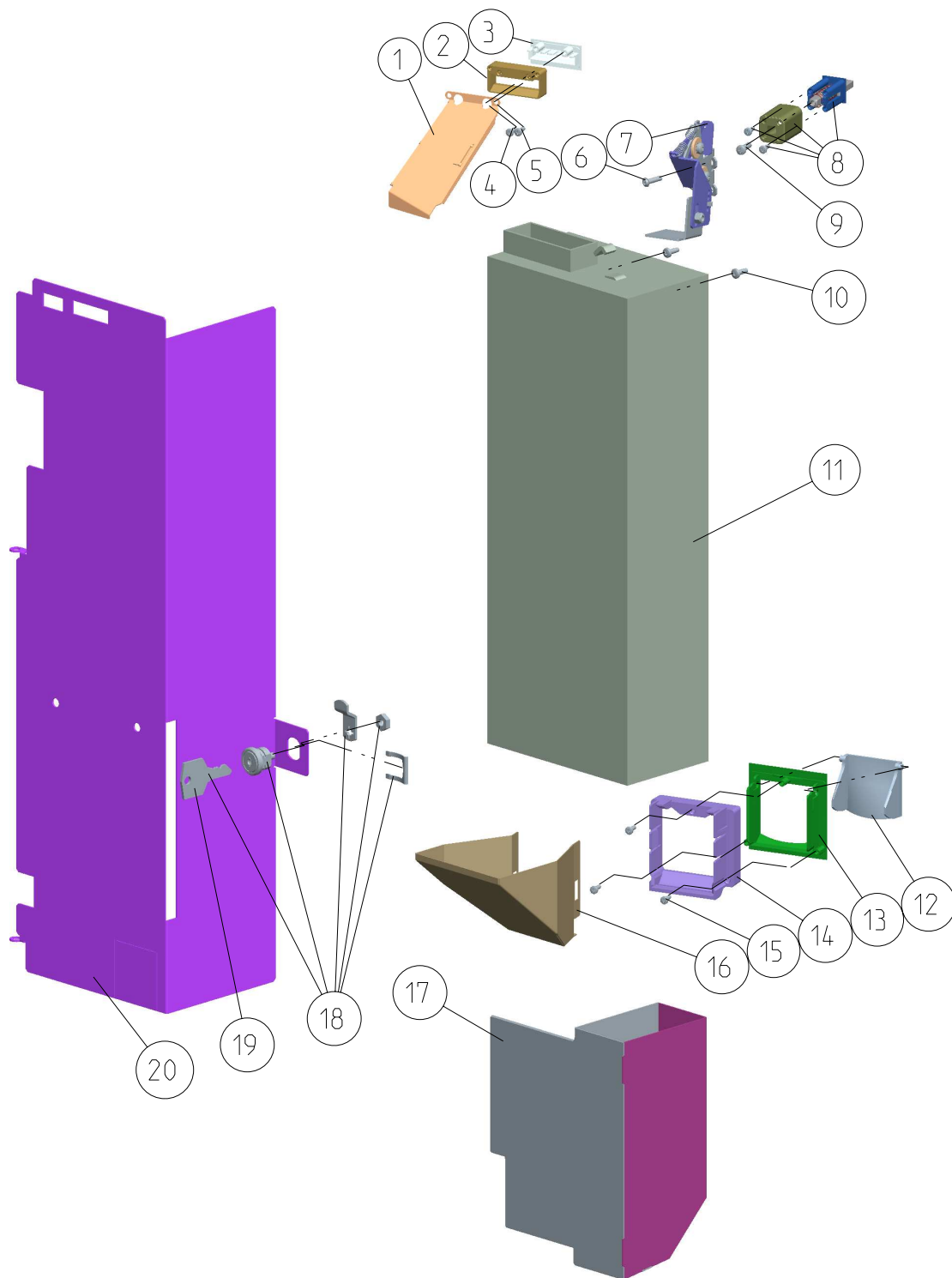


Drawing	Pos	S	Part Nr	Qty	Spare Part Description
4509-B2	13		4MHS032	1	Lock for coin box Siro Touch
4509-B2	13		4MHS028	1	Lock for coin box Virtu*
4509-B2	13		4MHS035	1	Lock for coin box Zia Medium
4509-B2	14		4MHS025	1	Key for 4MHS032 coin box Siro Touch
4509-B2	14		4MHS029	1	Key for 4MHS028 coin box Virtu*
4509-B2	14		4MHS045	1	Key for 4MHS035 coin box Zia Medium
4509-B2	15		5MDR550	1	Cover hinge bottom <i>Only needed for Zia Medium machines with S/N > 2022.10. xxxx.xxx</i>
4509-B2	16		4BBK011	2	Bolt M4x10
4509-B2	17		4BVR002	2	Star washer M4
4509-B2	18		4BMV005	2	Square nut M4
4509-B2	19		4BMZ011	2	Nut Lock M4
4509-B2	20		5MDR551	1	Cover hinge top <i>Only needed for Zia Medium machines with S/N > 2022.10. xxxx.xxx</i>
4509-B2	21		4BSC022	2	Cutting screw 3.5x9.5
4509-B2	22		5MDR365-KTL	1	Cover payment system Siro Touch
4509-B2	22		5MDR418-KTL	1	Cover payment system Virtu* Medium
4509-B2	22		5MDR494-RAL9005	1	Cover payment system Zia Medium
4509-B2	23		5KDR041	1	Cover plate <i>If no coin acceptor installed</i>

* Virtu mentioned but also valid for Varea & V'eco models

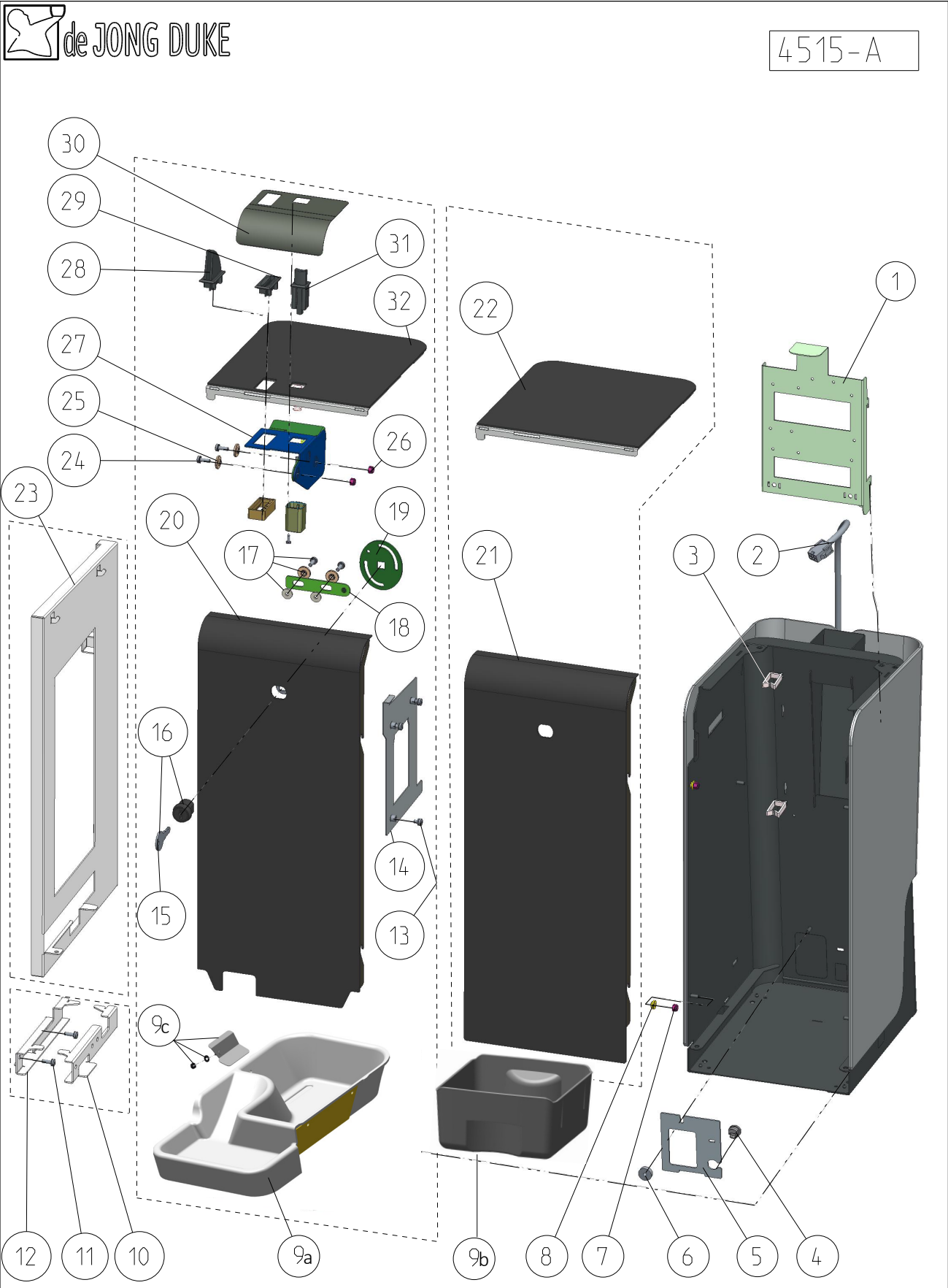


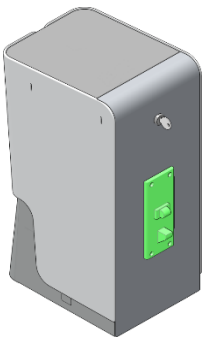
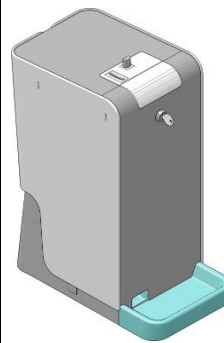
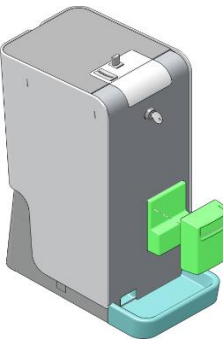
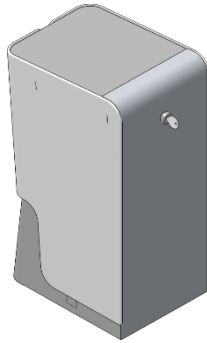
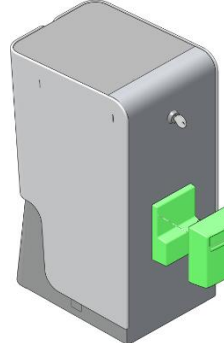
4512-A



Drawing	Pos	S	Part Nr	Qty	Spare Part Description
4512-A			9MDG044		Change giver kit for Virtu medium with front
4512-A			9MDG045		Change giver kit for Siro medium with front
4512-A	01		5MMS176		Coin chute
4512-A	02		5KMS008		Coin insert
4512-A	03		5KMS007		Coin insert
4512-A	04		4BSC020		Screw 2,9x9,5
4512-A	05		4BSC020		Screw 2,9x9,5
4512-A	06		4BBK032		Bolt M4x12
4512-A	07		6MDG037		Return mechanism
4512-A	08		6MDG038		Return button
4512-A	09		4BSC022		Cutting screw 3.5x9.5
4512-A	10		4BSC022		Cutting screw 3.5x9.5
4512-A	11		4EMU009		Change giver (EURO)
4512-A	11		4EMU026		Change giver (SEK - new coin)
4512-A	11		4EMU027		Change giver (GBP - new coin)
4512-A	12		5KMS012		Coin return payment unit
4512-A	13		5KMS013		Coin return holder
4512-A	14		5KMS014		Clamp payment unit
4512-A	15		4BSC020		Screw 2,9x9,5
4512-A	16		5MMS179-KTL		Coin return box
4512-A	17		6MOV044-RAL9005		Coin box virtu
4512-A	18		4MHS028		Lock
4512-A	19		4MHS029		Key 4MHS028
4512-A	20		5MDR418-KTL		Cover change giver unit (Virtu)
4512-A	20		5MDR365-KTL		Cover change giver unit (Siro / SiroTouch / Sura-no)
			6CKB508		MDB Adapter cable 0.1 m (ICEQ2 only)
			6CKB509		MDB Adapter cable 1.6 m (ICEQ2 only)

- Part numbers marked with "SE" are Service parts Engineer stock
- Part numbers marked with "SW" are Service parts Warehouse stock
- Part numbers marked with "n/a" are Not Available as spare part
- De Jong Duke recommends to have service parts directly available on local or car stock.



				
Prepared for Coin Acceptor (9MDG013)	Prepared for Change giver (4EMU009)	Prepared for Change giver + Card reader / Bill acceptor	Blank	Prepared for Card reader / Bill acceptor

Part number for complete housing for Small(T0) and Medium(T1) models:
with connection bracket item 23 but without the payment option itself (highlighted in green)

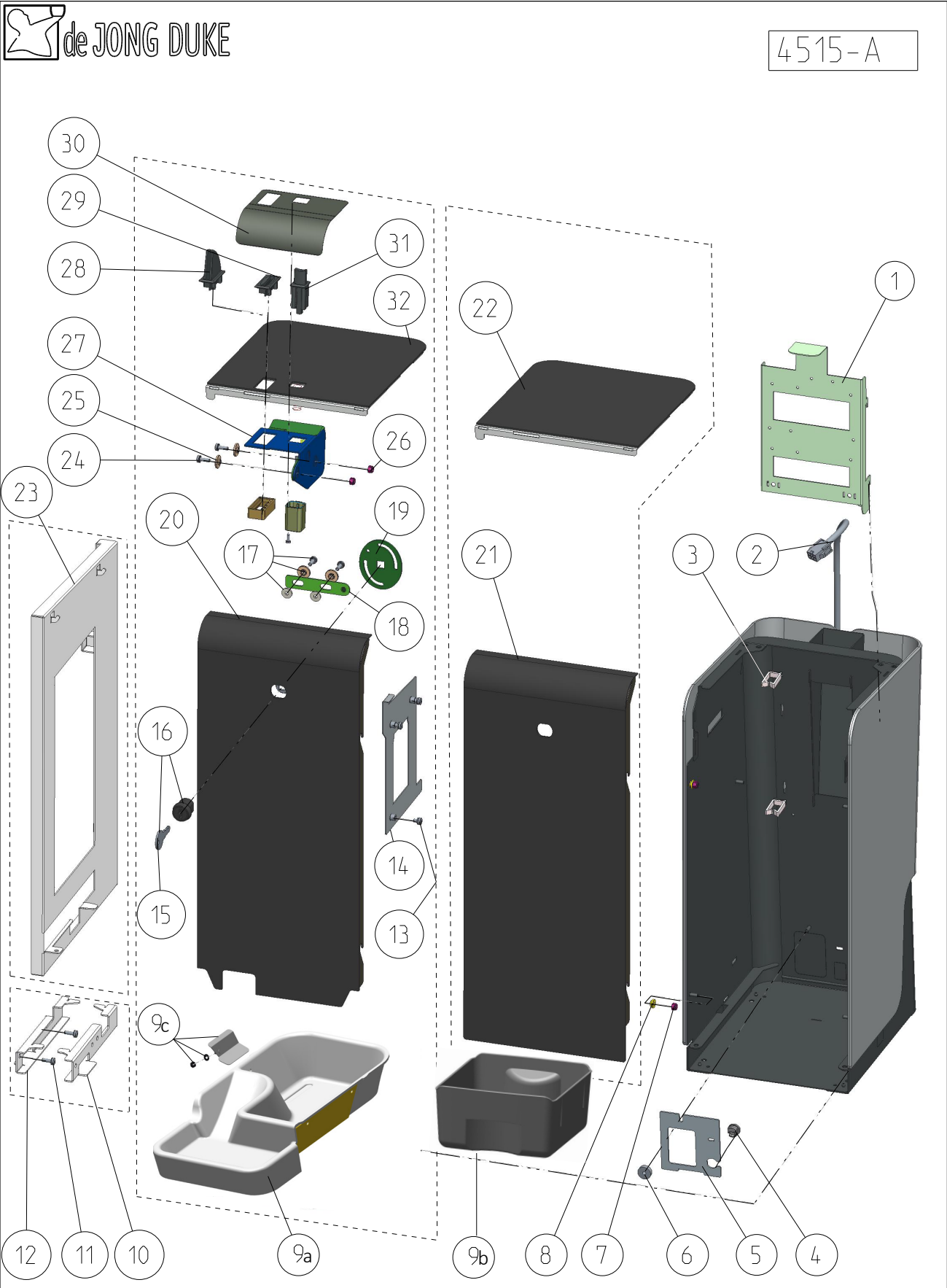
9MKA014
9MKA008
9MKA010
9MKA012
9MKA016

Part number for replacement Front panel pre-assembled:

complete with items 16, 17, 18, 19 and 20 or 21 but without the payment option itself (highlighted in green)

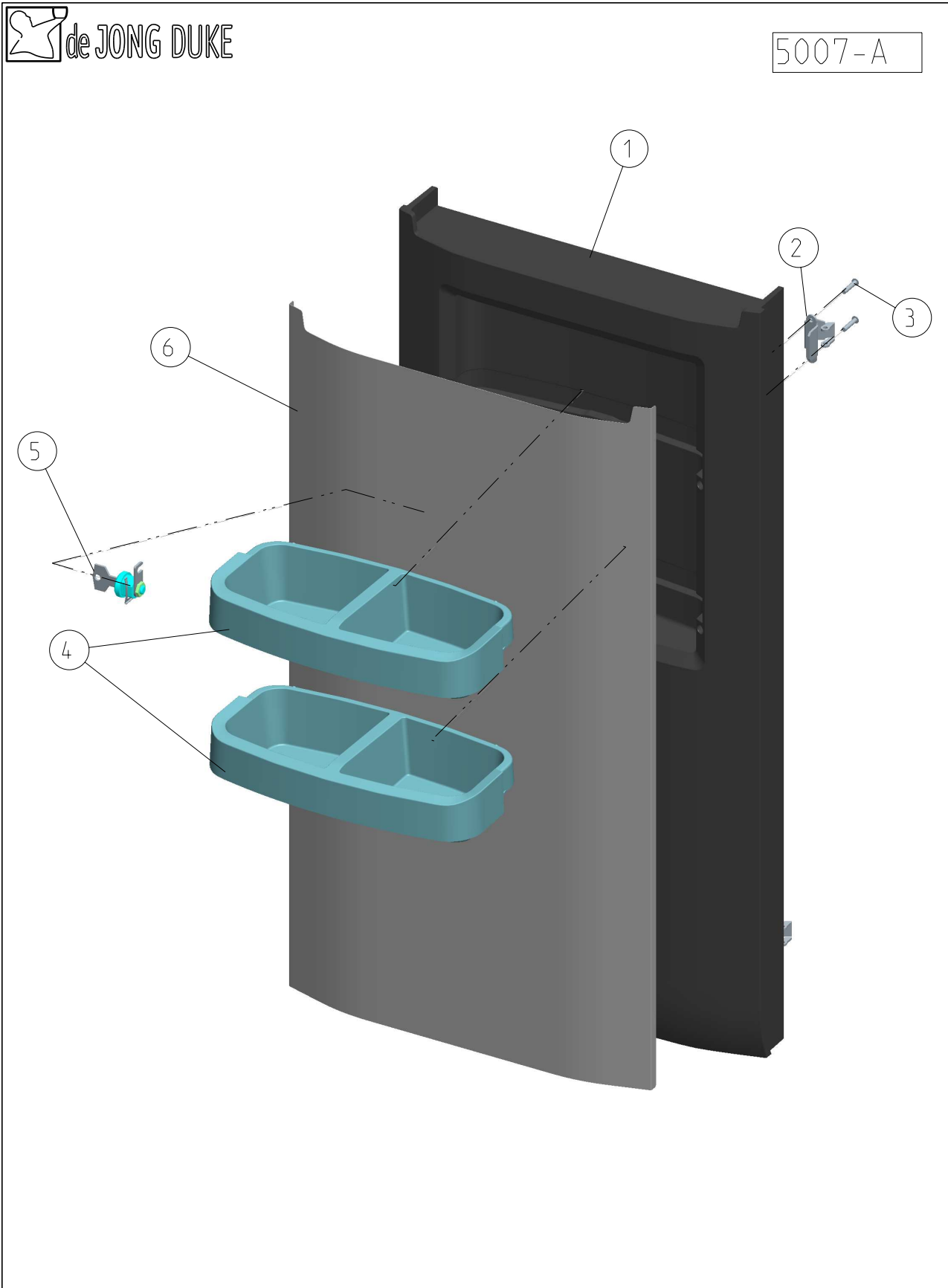
9MDG049
9MDG050
9MDG051
9MDG052
9MDG053

<i>Drawing</i>	<i>Pos</i>	<i>S</i>	<i>Part Nr</i>	<i>Qty</i>	<i>Spare Part Description</i>
			9MDG013		Coin acceptor EURO G13 including front plate wide (See drawing 4509 for more details)
			4EMU009		Change giver G46 EURO
4515-A	01		5MMS203	1	Mounting bracket
4515-A	02		6CKB509	1	MDB Adapter cable 1.6 m (ICEQ2 only)
4515-A	03		4BKM031	2	Cable clamp with plug
4515-A	04		4KDT009	1	Cable relief
4515-A	05		5MMS214	1	Back plate connections
4515-A	06		4BMV007	1	Thumb nut M4
4515-A	07		4BMZ011	4	Locking nut M4
4515-A	08		5MLG001	4	Bearing Ø6,9 x Ø10 x 2
4515-A	9a		6MOV048	1	Money tray for change giver (G46) <i>contains money tray (5KMS017) tray support (5MMS200) and item 9C</i>
4515-A	9b	SW	5KAF090	1	Money tray for coin acceptor (G13)
4515-A	9c		9MDG058	1	Money tray (Change giver) upgrade kit <i>with coin deflection lip (5TMP099), washer M4 (4BPR003) and nut (4BMZ003)</i>



Drawing	Pos	S	Part Nr	Qty	Spare Part Description
4515-A	10		5MMS197-RAL9005	1	Connection piece Nio (Left)
4515-A	11	SE	4BBK032	4	Bolt M4x12 with ring
4515-A	12		5MMS196-RAL9005	1	Connection piece Nio (Right)
4515-A	13		4BBK039	3	Bolt M4x6 with lock washer (Torx)
4515-A	14		5MMS204	1	Bracket for change giver
4515-A	15		4MHS047	1	Key for lock 4MHS044
4515-A	16		4MHS044	1	Lock with keys
4515-A	17		9HDR090	4	Sliding lock fasteners set
4515-A	18		5MHS057	2	Sliding lock plate
4515-A	19		5MHS056	1	Lock cam
4515-A	20		9MDG050	1	Front cover prepared for Change giver <i>with items 16, 17, 18, 19</i>
4515-A	20		9MDG051	1	Front cover prepared for Change giver and bill acceptor <i>with items 16, 17, 18, 19</i>
4515-A	21		9MDG049	1	Front cover prepared for Coin acceptor <i>with items 16, 17, 18, 19</i>
4515-A	21		9MDG052	1	Front cover - Blank / not prepared <i>with items 16, 17, 18, 19</i>
4515-A	21		9MDG053	1	Front cover prepared for Card reader / Bill acceptor <i>with items 16, 17, 18, 19</i>
4515-A	22		6MKA010	1	Lid
4515-A	23		5MMS205-RAL9005	1	Connection bracket
4515-A	24	SE	4BBK032	2	Bolt M4x12 with ring
4515-A	25		5MLG002	2	Bearing Ø6,9 x Ø15 x 1,7
4515-A	26		4BMZ011	2	Locking nut M4
4515-A	27		n/a	1	Return mechanism assembly
4515-A	28		5KMS018	1	Alternative upright coin slot
4515-A	29		n/a	1	Coin slot
4515-A	30		5TAB101	1	Sticker for unit with change giver
4515-A	31		6MDG038	1	Return button assembly
4515-A	32		n/a	1	Lid for unit with change giver

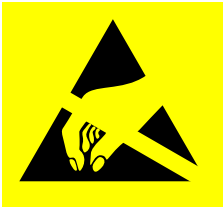
- Part numbers marked with "SE" are Service parts Engineer stock
- Part numbers marked with "SW" are Service parts Warehouse stock
- Part numbers marked with "n/a" are Not Available as spare part
- De Jong Duke recommends to have service parts directly available on local or car stock.



Drawing	Pos	S	Part Nr	Qty	Spare Part Description
5007-A	01		5KDR051 -11194		Door for Base Cabinet Medium (Virtu)
5007-A	01		5KDR051 -S139		Door for Base Cabinet Medium (Zia)
5007-A	02		5MHS012		Door hinge
5007-A	03		4BSC037		Screw 4x12
5007-A	04		5KDR052		Condimental tray base cabinet
5007-A	05		9HDR078		Lock with clip and key <i>note: key NOT identical to 4MHS026 key</i>
5007-A	05		4MHS042		Key for door lock 9HDR078 <i>key# 25401</i>
5007-A	06		9HDR060		Cover plate base medium (Virtu) + adhesive strip
5007-A	06		9HDR088		Cover plate base medium (Zia) + adhesive strip
HISTORY					
5007-A	05		4MHS026		Lock with clip <i>Replaced by 9HDR078 from S/N 2016.06.xxxx.001</i>

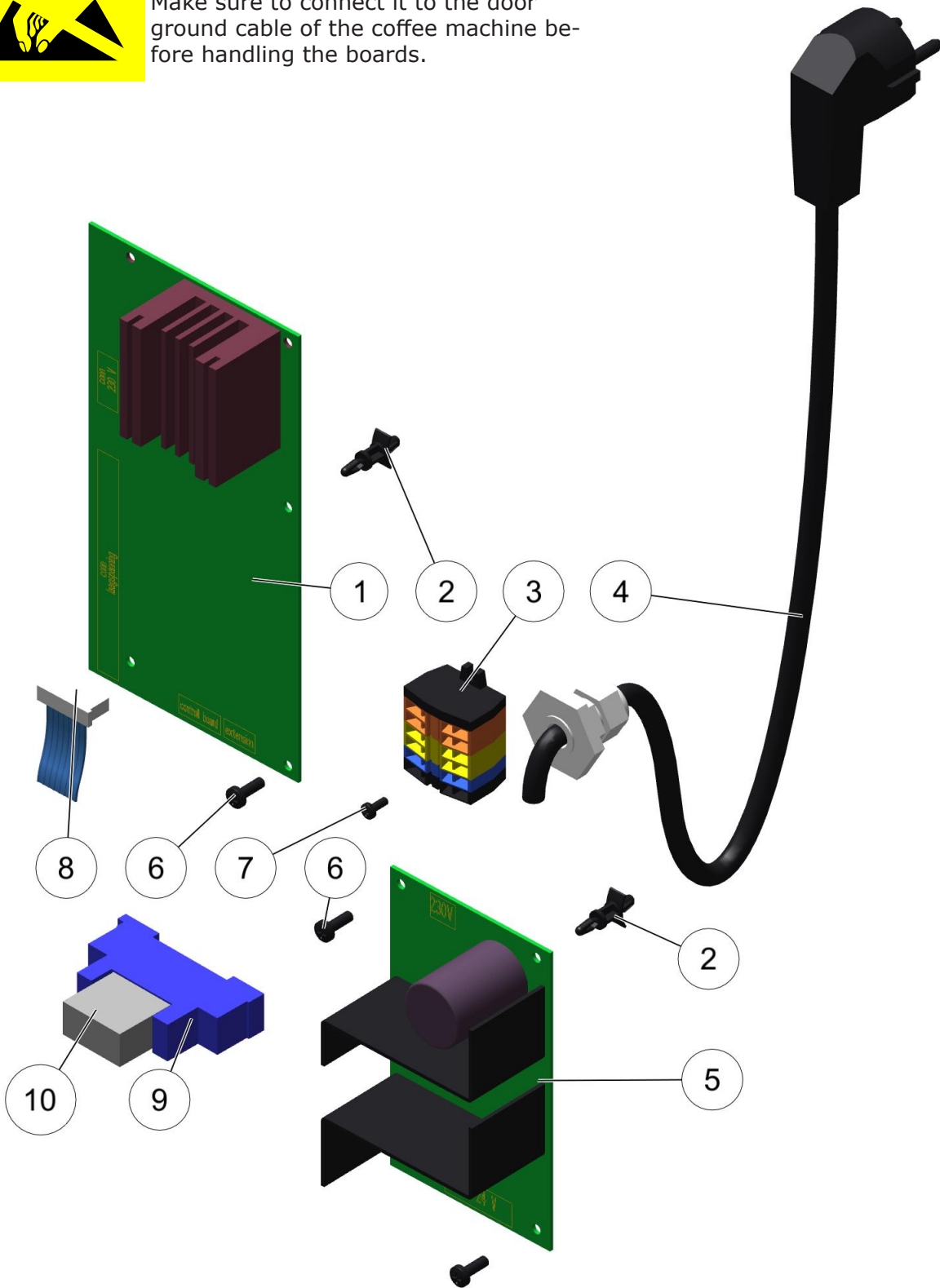
- Part numbers marked with "SE" are Service parts Engineer stock
- Part numbers marked with "SW" are Service parts Warehouse stock
- Part numbers marked with "n/a" are Not Available as spare part
- De Jong Duke recommends to have service parts available on local stock or car stock.

5507-E1



IMPORTANT

To prevent Electrostatic discharge (ESD), always use an ESD wrist strap. Make sure to connect it to the door ground cable of the coffee machine before handling the boards.



Drawing	Pos	S	Part Nr	Qty	Spare Part Description
5507-E	01	SW	5EPR130	1	IOB MoVeC ICEQ with 16 outputs (For 1 heating element) <i>Machine type: 9INB / 9FND / 9FEC</i>
5507-E	01	SW	5EPR132	1	IOB MoVeC ICEQ with 27 outputs (For 2 heating elements) <i>Machine type: 9CND / 9CEC / 9FEC / 9IEA</i>
5507-E	02		4BAF015	5	PCB supports
5507-E	03		6CCT002	1	Connection block
5507-E	04		6CKB130	1	Power cord EU
5507-E	04		6CKB136	1	Power cord UK
5507-E	04		6CKB137	1	Power cord USA 110VAC UL
5507-E	05	SW	5EPR148	1	Power supply for machine without grinder 100-230VAC / 24VDC / 65W <i>Machine type: 9INB / 9IEA / 9FND / 9FEC</i>
5507-E	05	SW	5EPR076	1	Power supply for machine with grinder 100-230VAC / 24VDC / 120W <i>Machine type: 9CND / 9CEC / 9FND / 9FEC</i>
5507-E	05	SW	5EPR077	1	Power supply for machine with grinder 120VAC / 24VDC / 120W - US only <i>Machine type: 9CND / 9CEC / 9FND / 9FEC</i>
5507-E	06	SE	4BBK032	3	Bolt M4x12 Torx
5507-E	07		4BBK028	2	Bolt M3x8
5507-E	08	SE	6CKB426	1	Movec ICEq - Cable IOB to Controller board
5507-E	09		4ERL007	1	Relay socket (only for 9CND with FM)
5507-E	10		4ERL006	1	Relay 24VDC 2-pole (only for 9CND with FM)
HISTORY					
5507-E	01		5EPR131	1	IOB MoVeC ICEQ with 15 outputs (For 2 heating elements) <i>Machine type: 9CND / Virtu 6023a</i> <i>Replaced by 5EPR132 + config file update from S/N 2013.18.xxxxx.xxx</i>
5507-E	05	SW	5EPR078	1	Power supply for machine with grinder 100-230VAC / 24VDC / 120W <i>Machine type: 9CND / 9CEC / 9FND / 9FEC</i> <i>Replaced by 5EPR076 from S/N 2014.48.xxxx.001</i>

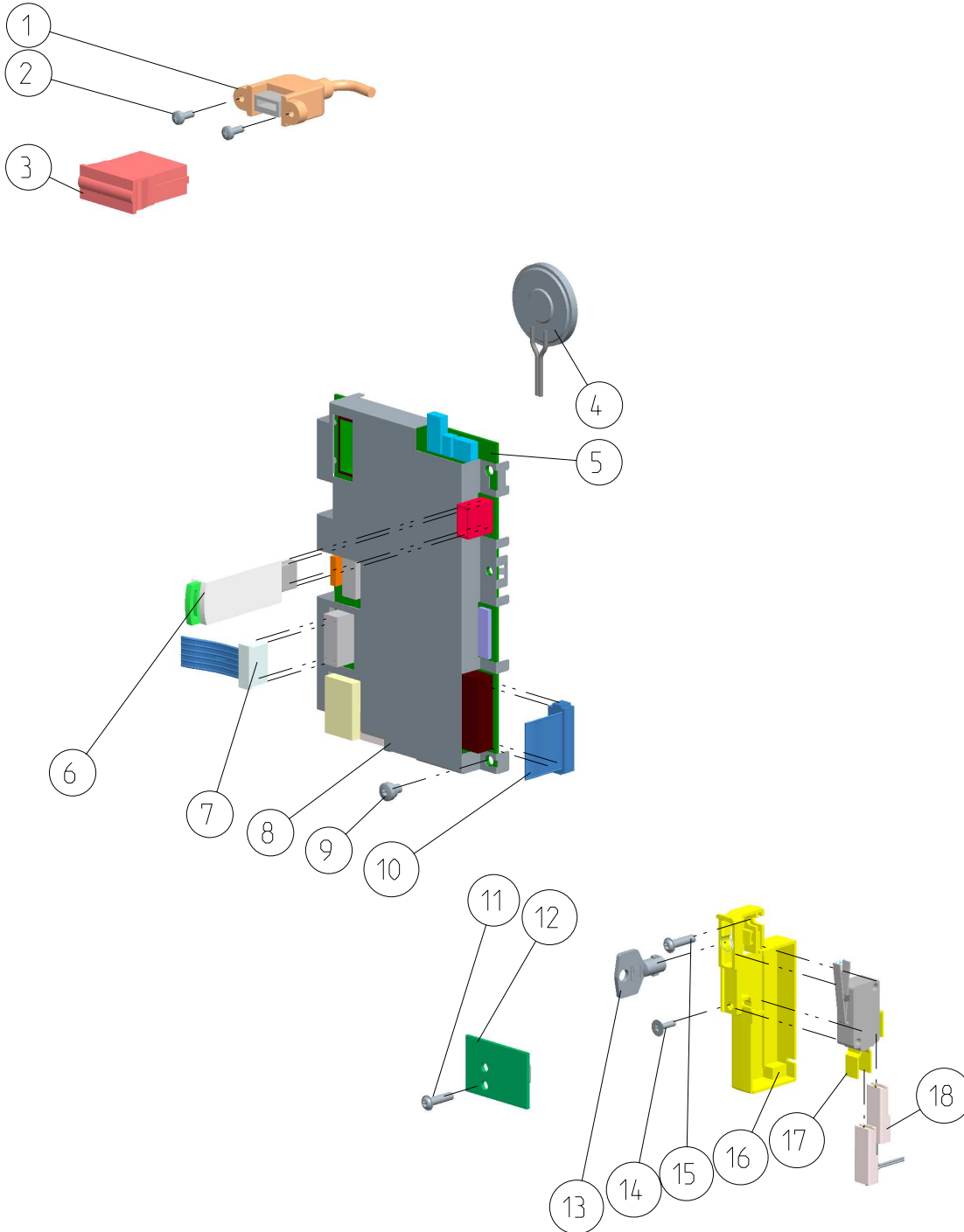
- Part numbers marked with "SE" are Service parts Engineer stock
- Part numbers marked with "SW" are Service parts Warehouse stock
- Part numbers marked with "n/a" are Not Available as spare part
- De Jong Duke recommends to have service parts available on local (SW) or car stock (SE).



IMPORTANT

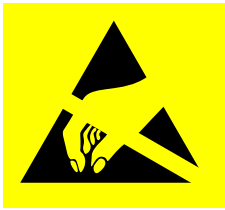
To prevent Electrostatic discharge (ESD), always use an ESD wrist strap. Make sure to connect it to the door ground cable of the coffee machine before handling the boards.

5514-A



Drawing	Pos	S	Part Nr	Qty	Spare Part Description
5514-A	01		6CKB429	1	USB extension cable Virtu/Zia
5514-A	02		n/a		
5514-A	03		5ETL001	1	Counter Mechanical 12V
5514-A	04	SW	4ELP001	1	Speaker
5514-A	05		9EPR018		MoVeC ICEQ2 controller with Virtu Image (640x480)
5514-A	05		9EPR011		MoVeC ICEQ2 controller with customer specific image (640x480)
5514-A	05	SE	9EPR013	1	MoVeC ICEQ2 controller with SiroTouch image
5514-A	05		9EPR014		MoVeC ICEQ2 controller with Zia image (640x480)
5514-A	05		2ALG150	1	Permission key (optional)
5514-A	06		5EEP004		USB stick
5514-A	07	SE	6CKB426	1	Flatcable IOB - MoVeC ICEQ
5514-A	08		5MCB038	1	EMC cover for ICEQ1 control board only
5514-A	09		4BBK039	4	M4x6 bolt BCK Tx
5514-A	10	SW	6CKB444	1	Wire harness for SiroTouch Small door
5514-A	10	SW	6CKB445	1	Wire harness for SiroTouch Medium door
5514-A	10	SW	6CKB423	1	Wire harness for Virtu Small door
5514-A	10	SW	6CKB432	1	Wire harness for Virtu Medium door
5514-A	10	SW	6CKB481	1	Wire harness for Zia Small door
5514-A	11		4BSC036	1	Screw torx 3,5x13,5
5514-A	12	SW	5EPR125	1	IRDA board (Virtu only)
5514-A	13	SE	5KDS036	1	Service key
5514-A	14		4BSC052	1	Screw 3,5x10 Tx15
5514-A	15		4BSC036	1	Screw torx 3,5x13,5
5514-A	16		5KDS038	1	Housing doorswitch
5514-A	17	SE	4ESK048	1	Micro switch door
5514-A	18	SW		1	<i>identical to item 10</i>
HISTORY					
5514-A	05	SE	9EPR003	1	MoVeC ICEQ controller with Virtu Image (640x480) <i>Replaced by 9EPR018 from S/N 2015.37.xxxx.001</i>
5514-A	05	SE	9EPR004	1	MoVeC ICEQ controller with SiroTouch image <i>Replaced by 9EPR013 from S/N 2015.29.xxxx.001</i>
5514-A	05	SE	9EPR005	1	MoVeC ICEQ controller with Zia image (640x480) <i>Replaced by 9EPR014 from S/N 2015.37.xxxx.001</i>

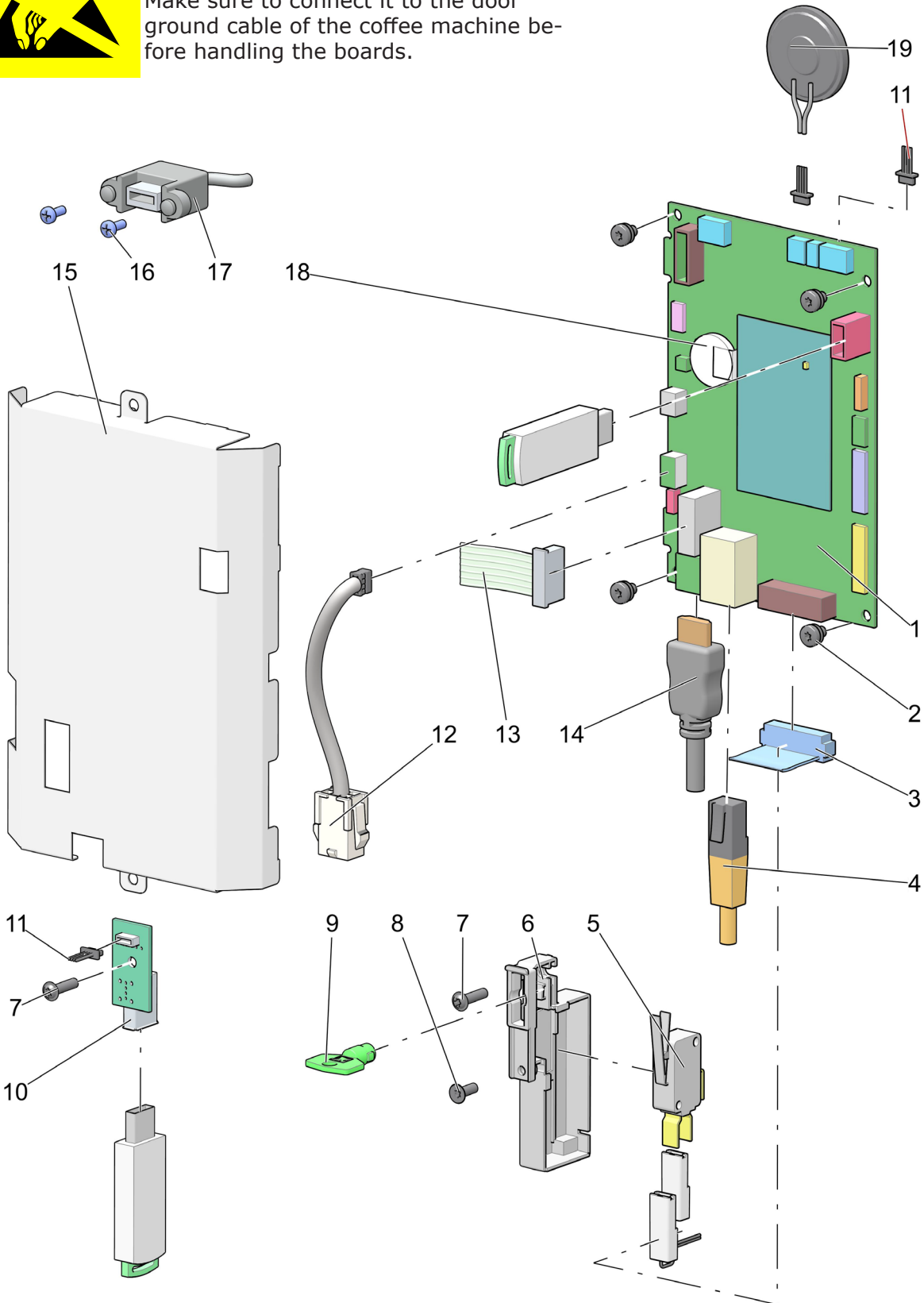
- Part numbers marked with "SE" are Service parts Engineer stock
- Part numbers marked with "SW" are Service parts Warehouse stock
- Part numbers marked with "n/a" are Not Available as spare part
- De Jong Duke recommends to have service parts available on local (SW) or car stock (SE).



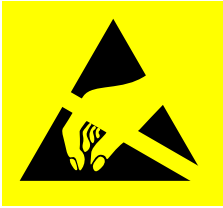
IMPORTANT

To prevent Electrostatic discharge (ESD), always use an ESD wrist strap. Make sure to connect it to the door ground cable of the coffee machine before handling the boards.

5515-B



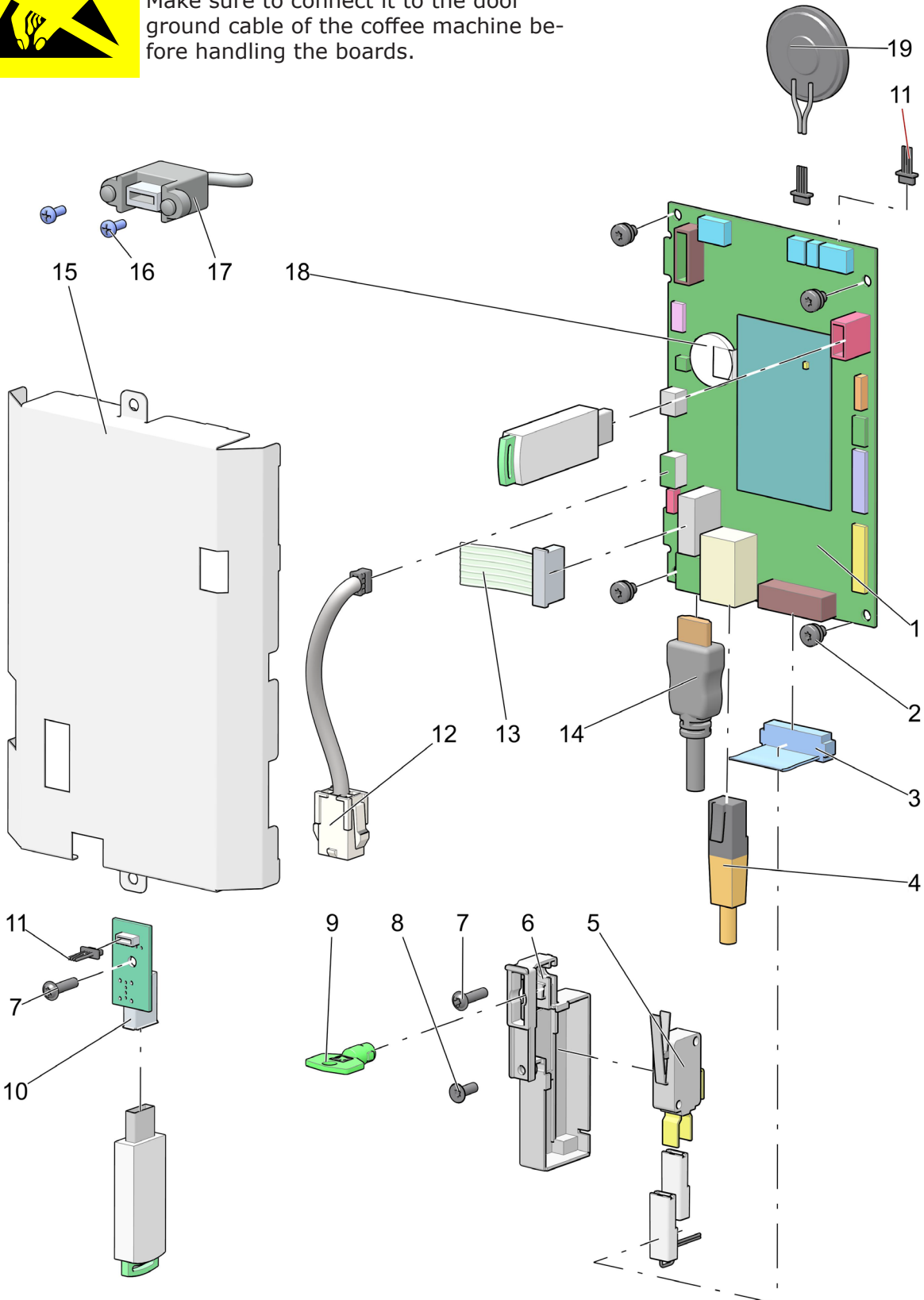
Drawing	Pos	S	Part Nr	Qty	Spare Part Description
5515-B	01	SW	9EPR016	1	MoVeC ICEQ2 controller board, Nio <i>Standard</i>
5515-B	01	SW	9EPR022	1	MoVeC ICEQ2 controller board, Nio <i>Customer specific</i>
5515-B	01	SW	9EPR012	1	MoVeC ICEQ2 controller board, V'eco <i>(800x600) Standard</i>
5515-B	01	SW	9EPR020	1	MoVeC ICEQ2 controller board, Varea <i>(800x600) Standard</i>
5515-B	01	SW	9EPR012	1	MoVeC ICEQ2 controller board, Virtu <i>(800x600) Standard</i>
5515-B	01		9EPR019	1	MoVeC ICEQ2 controller board, Virtu <i>(800x600) Customer specific</i>
5515-B	01		9EPR020	1	MoVeC ICEQ2 controller board, Virtu <i>(800x600) Customer specific</i>
5515-B	01	SW	9EPR010	1	MoVeC ICEQ2 controller board, Virtu <i>(640x480) Customer specific for 6CDP009 display</i>
5515-B	01	SW	9EPR011	1	MoVeC ICEQ2 controller board, Virtu <i>(640x480) Customer specific for 6CDP011 display</i>
5515-B	01	SW	9EPR018	1	MoVeC ICEQ2 controller board, Virtu <i>(640x480) Standard</i>
5515-B	01	SW	9EPR015	1	MoVeC ICEQ2 controller board Zia <i>(800x600) Standard</i>
5515-B	01	SW	9EPR017	1	MoVeC ICEQ2 controller board Zia <i>(800x600) Customer specific</i>
5515-B	01	SW	9EPR014	1	MoVeC ICEQ2 controller board, Zia <i>(640x480)</i>
5515-B	01	SW	9EPR013	1	MoVeC ICEQ2 controller board, Siro Touch
5515-B	01	SW	9EPR021	1	MoVeC ICEQ2 controller board, Edge
5515-B	01	SW	9EPR023	1	MoVeC ICEQ2 controller board, Blu
5515-B	02		4BBK039	4	Bolt with lock washer M4x6
5515-B	03	SW	6CKB490	1	Wire harness for sensors <i>Nio</i>
5515-B	03	SW	6CKB423	1	Wire harness for sensors <i>Virtu/V'eco/Varea Small</i>
5515-B	03	SW	6CKB432	1	Wire harness for sensors <i>Virtu/V'eco/Varea Medium</i>
5515-B	03		6CKB477	1	Wire harness for sensors <i>Siro Touch Small</i>
5515-B	03		6CKB478	1	Wire harness for sensors <i>Siro Touch Medium</i>
5515-B	03	SW	6CKB481	1	Wire harness for sensors <i>Zia Small</i>
5515-B	03	SW	6CKB517	1	Wire harness for sensors <i>Zia Medium</i>
5515-B	03	SW	6CKB524	1	Wire harness for sensors <i>Edge Small</i>
5515-B	03	SW	6CKB555	1	Wire harness for sensors <i>Blu Small</i>



IMPORTANT

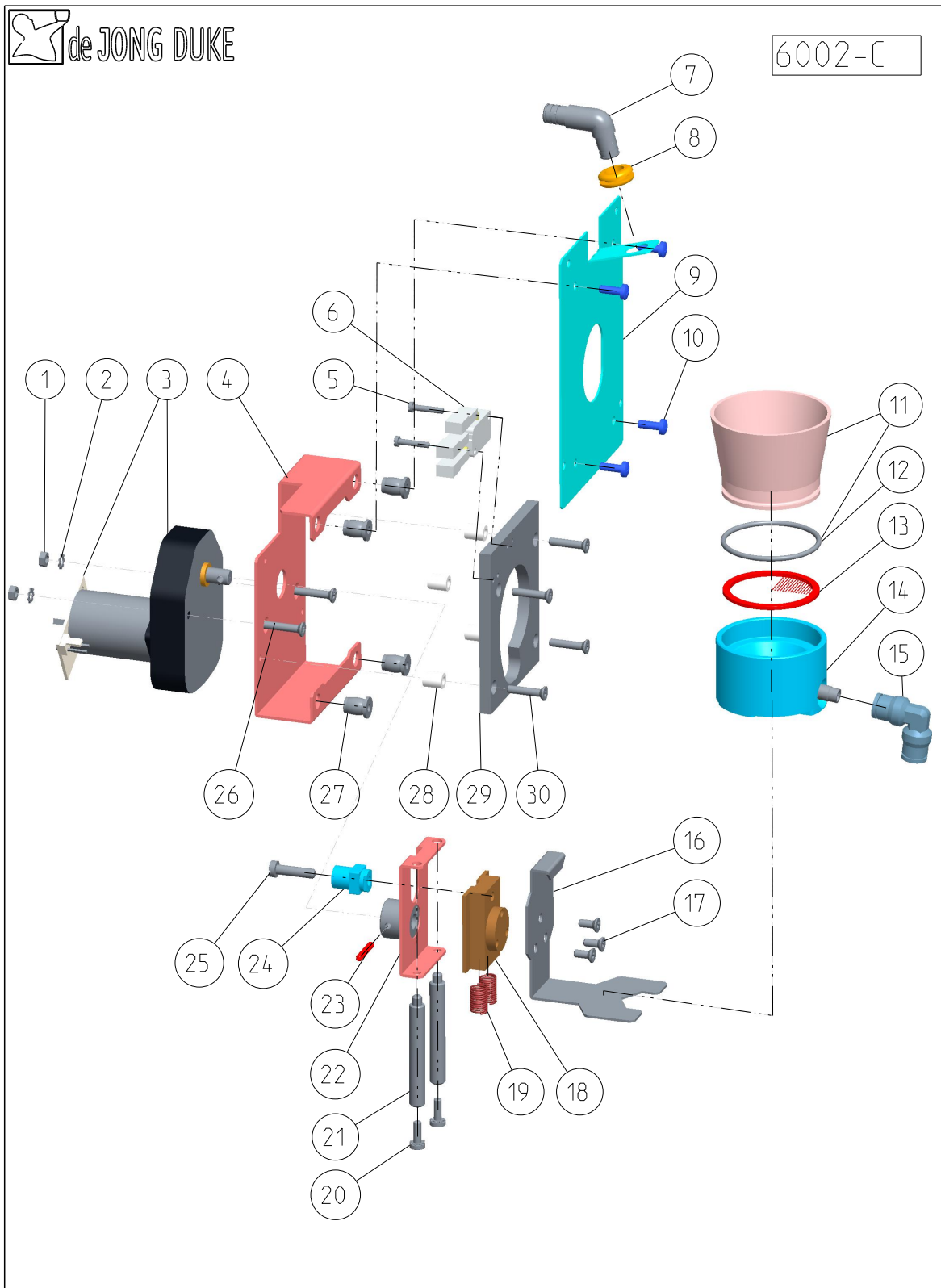
To prevent Electrostatic discharge (ESD), always use an ESD wrist strap. Make sure to connect it to the door ground cable of the coffee machine before handling the boards.

5515-B

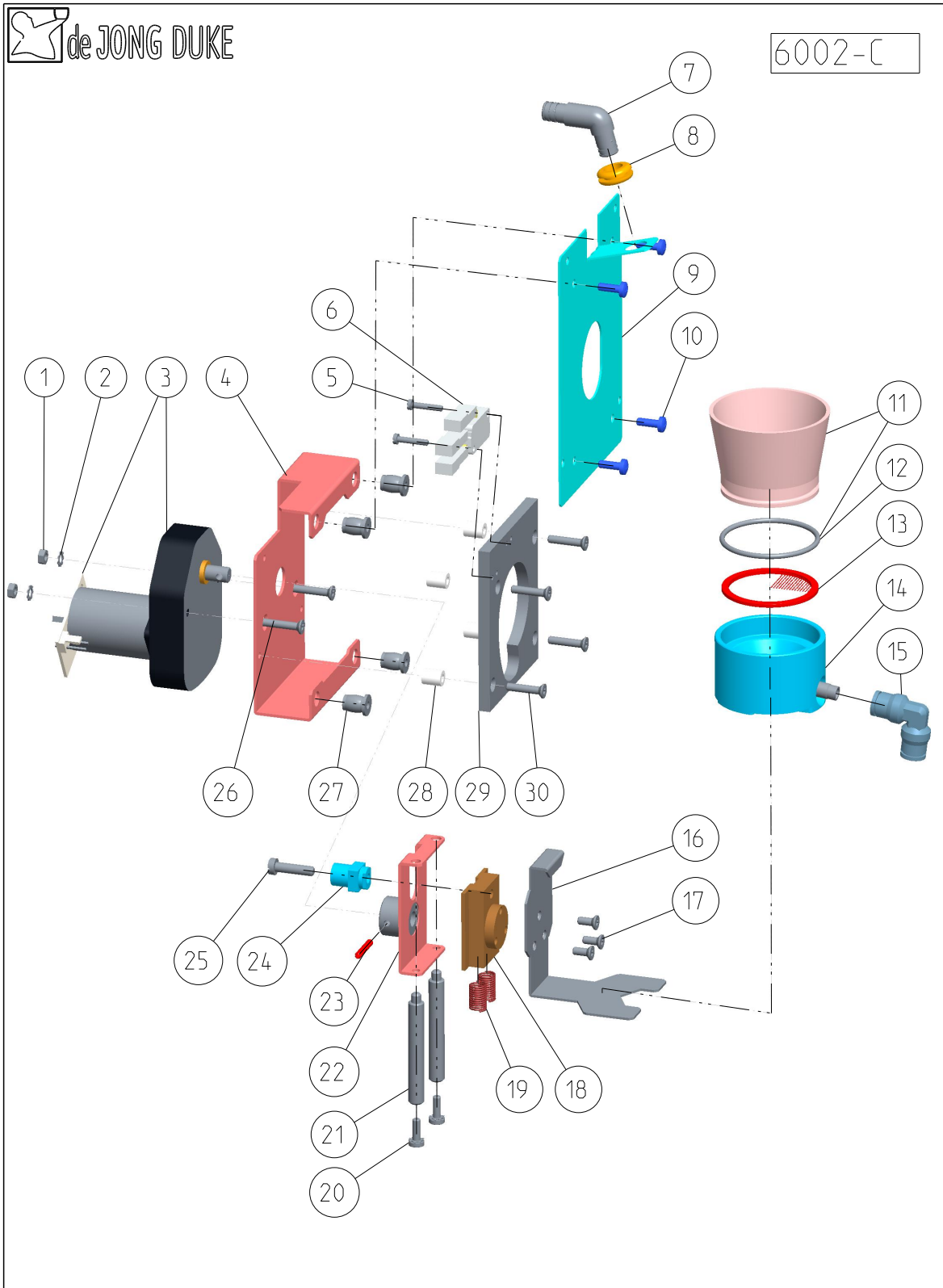


Drawing	Pos	S	Part Nr	Qty	Spare Part Description
5515-B	04	SW	6CKB543	1	Ethernet cable L=30cm
5515-B	04	SW	6CKB498	1	Ethernet cable L=50cm
5515-B	04	SW	6CKB516	1	Ethernet cable L=100cm
5515-B	04	SW	6CKB528	1	Ethernet cable L=150cm
5515-B	05	SW	4ESK048	1	Door micro switch ICEQ
5515-B	06		5KDS038	1	Door micro switch ICEQ mounting
5515-B	07		4BSC036	1	Screw torx 3.5x13.5
5515-B	08		4BSC052	1	Screw 3,5x10 Tx15
5515-B	09	SE	5KDS036	1	Service key
5515-B	10		5EPR143	1	USB print <i>Nio only</i>
5515-B	11		6CKB501	1	USB extension cable <i>Nio only</i>
5515-B	12		6CKB508	1	MDB adapter cable ICEQ2 0,1m
5515-B	12		6CKB509	1	MDB adapter cable ICEQ2 1,6m
5515-B	13	SW	6CKB426	1	Flat cable IOB-MoVeC ICEQ <i>for all models except Nio, XNA and XEA models</i>
5515-B	14	SW	6CKB497	1	HDMI cable IOB-MoVeC ICEQ <i>for Nio, XNA and XEA models</i>
5515-B	15		5MCB045	1	Controller Board cover <i>Zia medium and Nio only</i>
5515-B	16		4BBK028	2	Bolt M3x8
5515-B	17		6CKB429	1	USB extension cable <i>for Virtu/V'eco/Varea/Zia models</i>
5515-B	18		4ETR011		Battery for PCB assembly 3V
5515-B	19		4ELP001	1	Speaker other models
5515-B	19		4ELP002		Speaker Blu

- Part numbers marked with "SE" are Service parts Engineer stock
- Part numbers marked with "SW" are Service parts Warehouse stock
- Part numbers marked with "n/a" are Not Available as spare part
- De Jong Duke recommends to have service parts available locally (SW) or as car stock (SE).



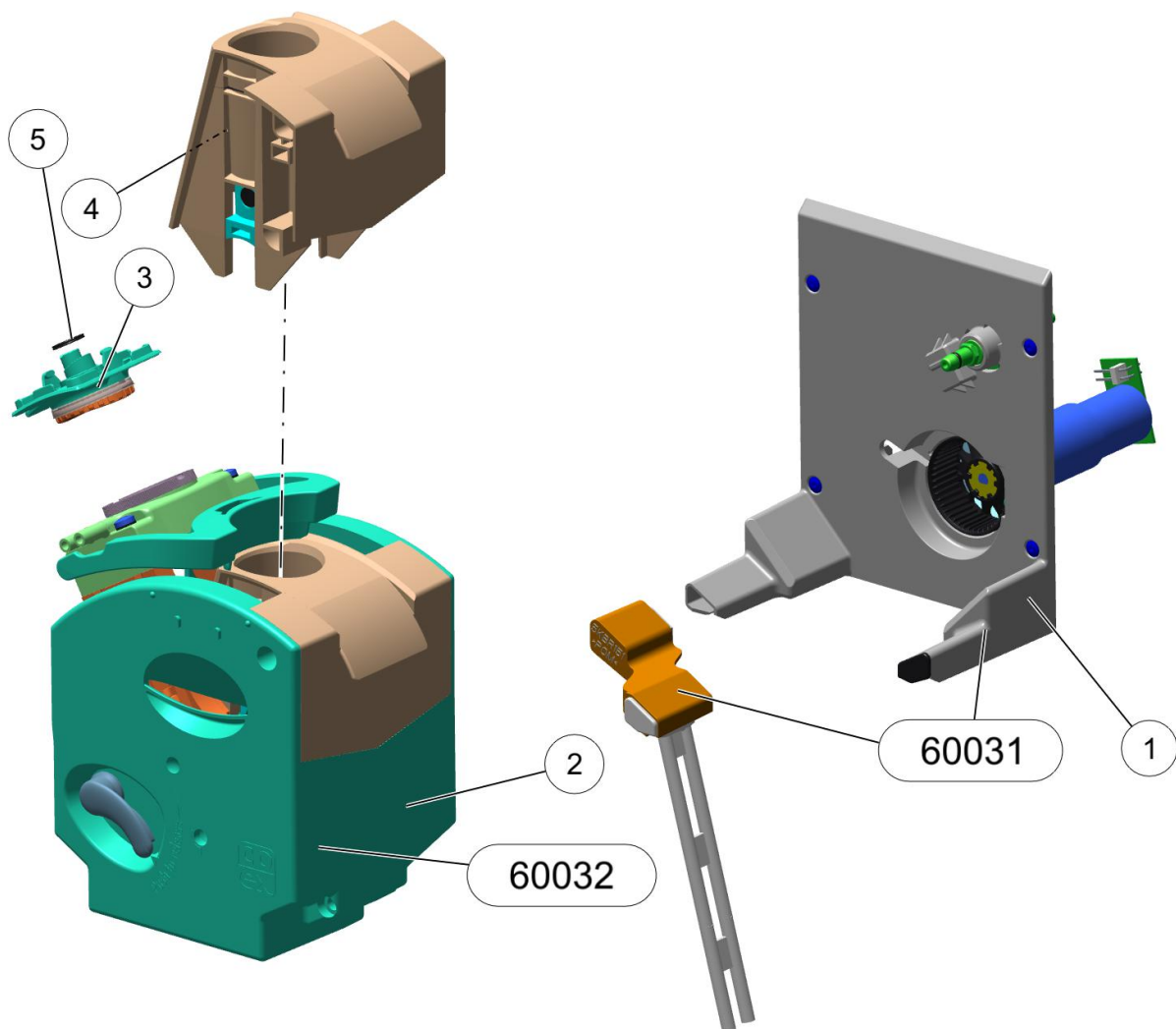
Drawing	Pos	S	Part Nr	Qty	Spare Part Description
6002-C		SE	6ZBR072		Tea brewer chamber assembly with 4.2 mm outlet <i>with items 11, 12, 13, 14, 15</i>
6002-C		SW	6ZBR066		Tea brewer assembly with 4.2 mm outlet <i>with items 1 ~ 30</i>
6002-C	01		4BMZ003	2	Nut M4
6002-C	02		4BVR002	2	Star washer M4
6002-C	03	SW	6ZBR093	1	Motor 24VDC 10RPM <i>Consists of 5EMT011 (motor) and 4EPR013 (PCB)</i>
6002-C	04		5MBR047	1	Frame tea brewer
6002-C	05		4BBC007	2	Bolt M3x16
6002-C	06	SW	BR8	1	Micro switch
6002-C	07	SE	5KVL022	1	Outlet knee 107 grd d=10 2x
6002-C	08		4RDT010	1	Cable grommet 10x12x18 for 2mm plate
6002-C	09		5MBR046- RAL9005	1	Cover tea brewer module
6002-C	10		4BBK012	4	Bolt M4x16
6002-C	11		6ZBR075	1	Tea brewer bowl, closed
6002-C	12	SE	4ROR008	1	O-Ring 45.69 x 2.62
6002-C	13	SE	5RVA010	1	Nylon strainer tea brewer
6002-C	14		6ZBR067	1	Tea brewer lower part with 4.2 mm outlet
6002-C	15		4MPF056	1	Insert socket 90 degrees 8-8
6002-C	16		5MBR048	1	Holder for tea brewer
6002-C	17		4BBK011	3	Bolt M4x10
6002-C	18		5KBR008	1	Tea brewer guide block
6002-C	19		BR118	1	Pressure spring
6002-C	20	SE	4BBK032	2	Bolt M4x12
6002-C	21		5MDF005	2	Guide shaft 8x60mm
6002-C	22		6ZBR016	1	motor plate tea brewer
6002-C	23		4BPN023	1	Spring pin
6002-C	24		5KBR022	1	Notch tea brewer
6002-C	25		4BBC030	1	Bolt M5x20
6002-C	26		4BBV017	2	Bolt M4x25
6002-C	27		4BMV006	4	Blind nut M4x8x11.4
6002-C	28		4KAB019	4	Distance holder
6002-C	29		5KBR007	1	Plate Tea brewer
6002-C	30		4BBV047	4	Bolt M4 x 18



<i>Drawing</i>	<i>Pos</i>	<i>S</i>	<i>Part Nr</i>	<i>Qty</i>	<i>Spare Part Description</i>
HISTORY					
6002-B		SW	6ZBR072		Tea brewer chamber assembly with 5.5mm outlet <i>discontinued from 2012.02.xxxxx.xxx</i>
6002-B		SW	6ZBR066		Tea brewer assembly with 5.5 mm outlet <i>discontinued from 2012.02.xxxxx.xxx</i>
6002-B	14		6ZBR067	1	Tea brewer lower part with 5.5 mm outlet <i>discontinued from S/N 2012.02.xxxxx.xxx</i>
6002-B	23		BR114	1	Spring pin <i>Replaced by 4BPR020</i>
6002-B	23		4BPN020	1	Spring pin <i>Replaced by 4BPR023 from S/N 201228.xxxxx.xxx</i>
6002-B	26		4BBK011	2	Bolt M4x10 <i>Replaced by 4BBV017 from S/N 201728.xxxxx.xxx</i>

- Part numbers marked with "SE" are Service parts Engineer stock
- Part numbers marked with "SW" are Service parts Warehouse stock
- Part numbers marked with "n/a" are Not Available as spare part
- De Jong Duke recommends to have service parts directly available on local or car stock.

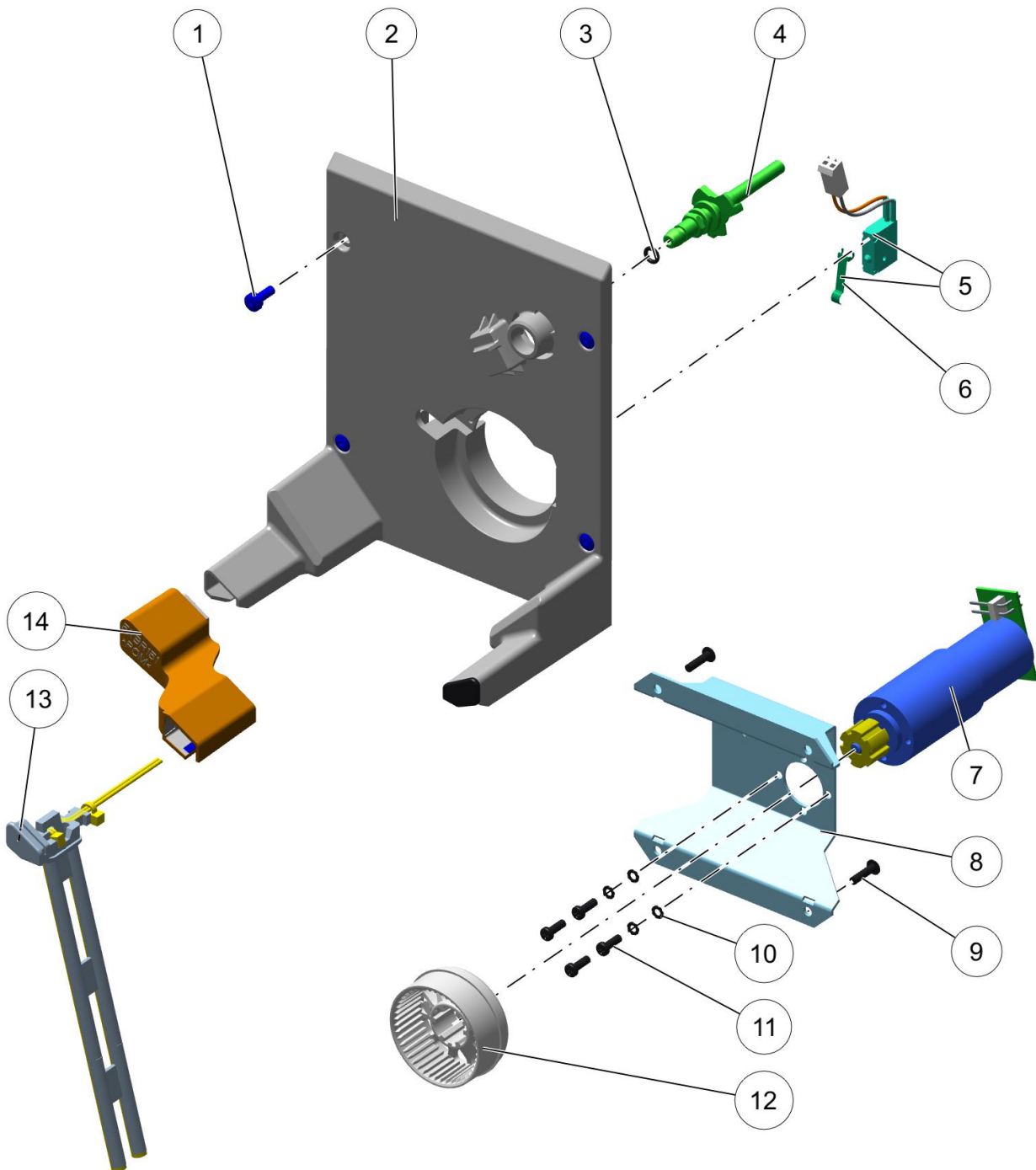
6003-D



<i>Drawing</i>	<i>Pos</i>	<i>S</i>	<i>Part Nr</i>	<i>Qty</i>	<i>Spare Part Description</i>
					REFERENCES
60031				1	Refer to drawing 60031: CoEx Brewer Motor Assembly
60032				1	Refer to drawing 60032: CoEx Brewer Assembly
					SETS
6003-D	01	SW	6ZBR054	1	Mountingframe CoEx Motor Assembly
6003-D	01	SW	9ZBR062	1	Mountingframe CoEx Brewer assembly (Nio only) <i>with assembly 6ZBR054 and interference filter</i>
6003-D	02	SW	9ZBR044	1	CoEx brewer assembly 9CND/9CEC- high pressure <i>With filter head (yellow dot: 1.5mm / 0.35mm)</i>
6003-D	02	SW	9ZBR061	1	CoEx brewer assembly - no pressure <i>With filter head (white dot: 1.5mm / 0,5mm)</i>
6003-D	02	SW	9ZBR052	1	CoEx brewer assembly 9CND/9CEC/Nio Without filter head
					PARTS
6003-D	03	SE	6ZBR057	1	CoEx brewer filterhead high pressure <i>(yellow dot: 1.5mm / 0.35mm)</i>
6003-D	03	SE	6ZBR091	1	CoEx brewer filterhead no pressure <i>(white dot: 1.5mm / 0,5mm)</i>
6003-D	04	SW	6ZBR051	1	Cilinder/piston assembly CoEx <i>see also drawing 60032</i>
6003-D	05	SE	4ROR014	1	Quadring for filterhead CoEx-brewer (RED)

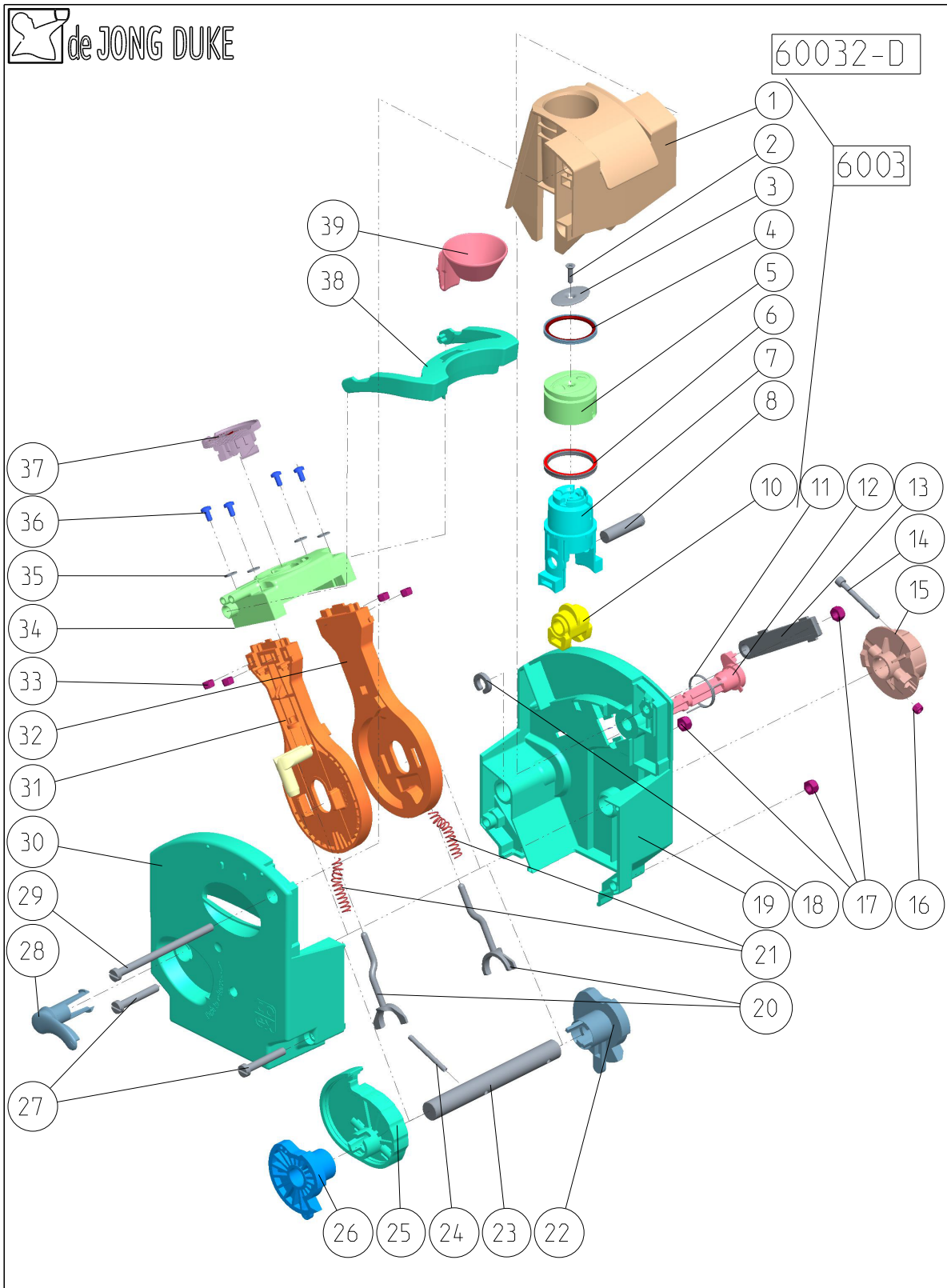
- Part numbers marked with "SE" are Service parts Engineer stock
- Part numbers marked with "SW" are Service parts Warehouse stock
- Part numbers marked with "n/a" are Not Available as spare part
- De Jong Duke recommends to have service parts available locally (SW) or as car stock (SE).

60031-F

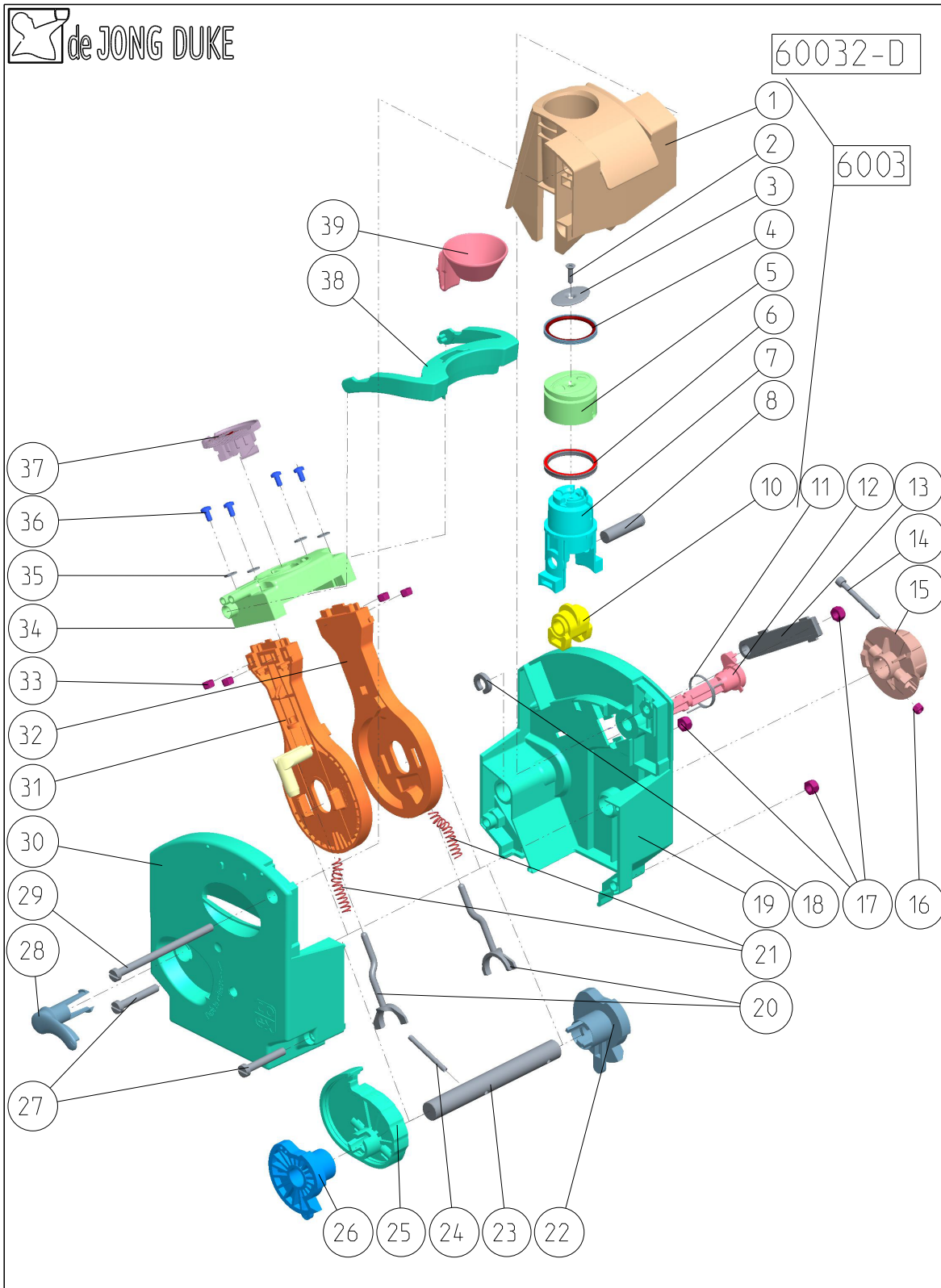


<i>Drawing</i>	<i>Pos</i>	<i>S</i>	<i>Part Nr</i>	<i>Qty</i>	<i>Spare Part Description</i>
					SETS
60031-F		SW	6ZBR054	1	Mountingframe CoEx Brewer motor <i>with items 2, 5, 6, 7, 8, 9, 10, 11, 12</i>
60031-F		SW	9ZBR062	1	Mountingframe CoEx Brewer motor (Nio only) <i>with Assembly 6ZBR054 and interference filter</i>
60031-F		SW	9ZBR060	1	CoEx Brewer motor with metal Bush Adaptor (bonded) and Plastic coupling (<i>item 7, 12</i>)
60031-F		SE	9VUL011	1	CoEx Water Inlet with O-ring <i>with items 3, 4</i>
					PARTS
60031-F	01		4BSC036	4	Bolt M4x12 (Essence)
60031-F	01		4BBK032	4	Bolt M4x12
60031-F	02		5KBR055	1	Bracket for CoEx
60031-F	03	SE	4ROR047	1	O-ring water inlet CoEx-brewer
60031-F	04		5KBR056	1	Water connection CoEx
60031-F	05		6CKB536	1	Cable CoEx-brewer motor with micro switch <i>Includes item 06</i>
60031-F	05		6CKB537	1	Cable CoEx-brewer motor with micro switch and polyfuse (Nio only) <i>Includes item 06</i>
60031-F	06	SE	4ESK029	1	Leveler micro switch
60031-F	07		6ZBR100	1	Brewer motor CoEx with Bush Adaptor <i>Not available separately (from S/N 2016.14.xxxx.001)</i>
60031-F	08		5MBR032	1	Motor mounting plate
60031-F	09		4BSC036	4	Screw torx 3,5x13,5
60031-F	10		4BVR006	4	Knurled ring M3
60031-F	11		4BSC047	4	Screw EJOT PT KB 3.5x10
60031-F	12		5KBR074	1	Plastic motor coupling CoEx
60031-F	13	SW	6CSS047	1	Drip tray sensor long 11cm <i>Use with Drip tray 5KAF090 if a waste guide is installed (see drawing 1011, 1014 and 1020)</i>
60031-F	13	SW	6CSS055	1	Drip tray sensor short 9cm <i>Used with Drip tray under CoEx-brewer - 5KAF118 (see draw- ing 1011, 1014 and 1020)</i>
60031-F	14		5KBR151	1	Drip tray sensor bracket <i>Included in production from S/N 2021.26.xxxx.001</i>
					HISTORY
60031-F	03	SE	4ROR015	1	O-ring water inlet CoEx-brewer

- Part numbers marked with "SE" are Service parts Engineer stock
- Part numbers marked with "SW" are Service parts Warehouse stock
- Part numbers marked with "n/a" are Not Available as spare part
- De Jong Duke recommends to have service parts available locally (SW) or as car stock (SE).

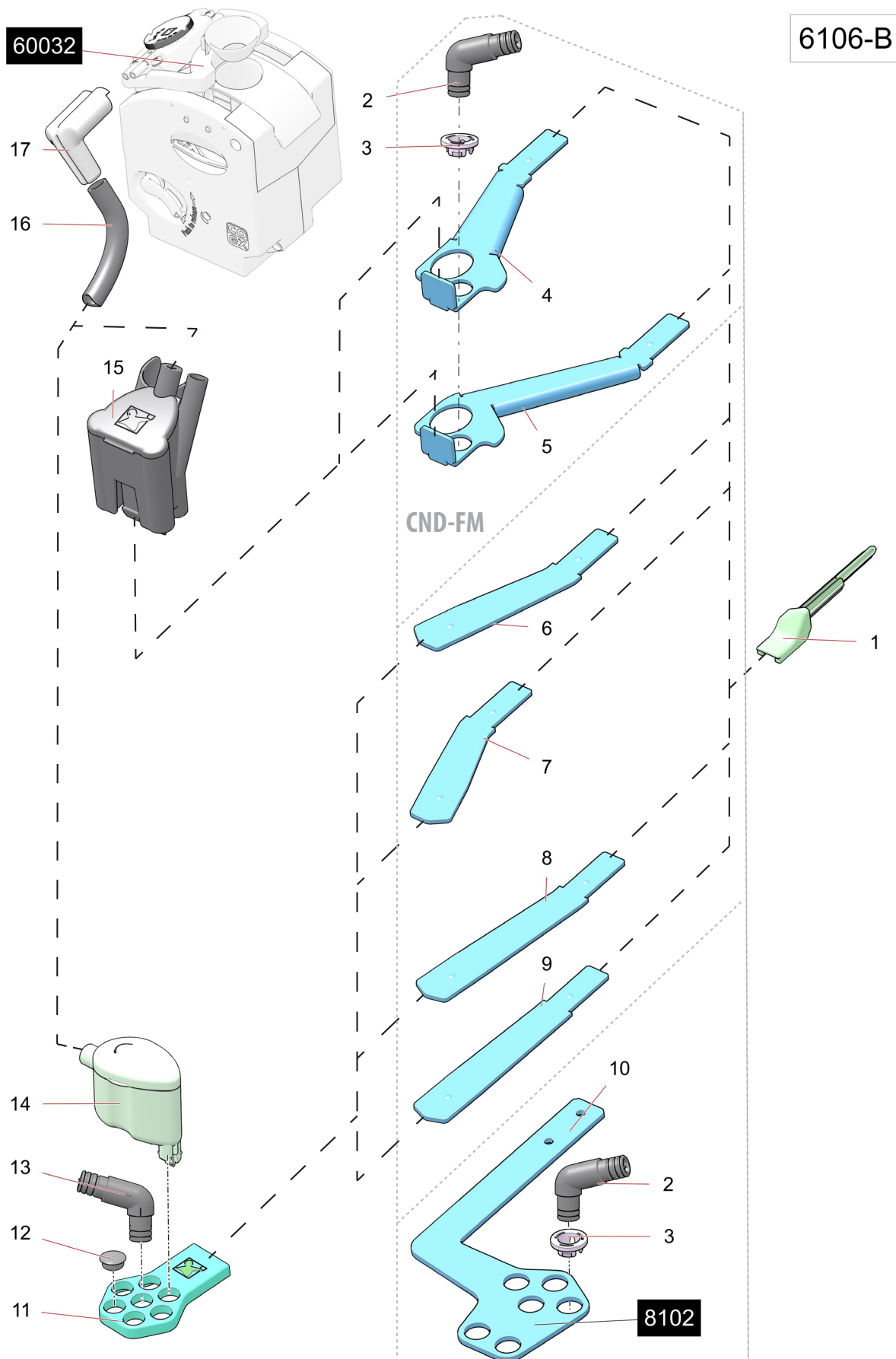


Drawing	Pos	S	Part Nr	Qty	Spare Part Description
					SETS
6003-C		SW	6ZBR051	1	Cylinder/piston assembly CoEx <i>with items 1 - 10</i>
60032-D		SW	9ZBR052	1	CoEx brewer assembly 9CND/9CEC <i>Without filter head</i>
					<i>See also drawing 6003 for more CoEx brewer assemblies with filter head</i>
					PARTS
60032-D	01		5KBR032	1	Cylinder
60032-D	02	SE	4BSC043	1	Screw 3.9x16
60032-D	03	SE	6ZBR152	1	Filter screen lower piston
60032-D	04		5KBR058	1	Scraping lower piston <i>Scraping ring outside + O-ring inside</i>
60032-D	05		5KBR067	1	Piston top
60032-D	06	SE	5KBR057	1	U-cup ring CoEx-piston (lower = coloured RED)
60032-D	07		5KBR066	1	Piston body
60032-D	08		5MBR034	1	Cam follower shaft
60032-D	09		n/a		<i>item not drawn</i>
60032-D	10		5KBR043	1	Slide block
60032-D	11		5MVR016	1	Spring
60032-D	12		5KBR040	1	Fixation cam
60032-D	13	SW	5KBR049	1	Fixation brewer
60032-D	14	SE	5BBK001	1	Bolt M4x40
60032-D	15		5KBR050	1	Brewer motor coupling
60032-D	16	SE	4BMZ037	1	Lock nut NYLR M4
60032-D	17		4BMZ042	3	Nut M6
60032-D	18		4BBG016	1	Clamp ring
60032-D	19		5KBR033	1	Frame brewer back side
60032-D	20		5KBR051	2	Spring holder
60032-D	21		4MVR010	2	Pressure Spring CoEx-brewer
60032-D	22		5KBR078	1	Curve disk behind CoEx
60032-D	23		6ZBR074	1	Main axis <i>including Fixing bus 4x40 (Stainless Steel)</i>
60032-D	24		n/a		Fixing bus 4x40 (Stainless Steel) <i>not available separately, order 6ZBR074, item 23</i>
60032-D	25		5KBR042	1	Curvecam piston
60032-D	26		5KBR079	1	Curve disk in front of CoEx
60032-D	27		4BBC048	2	Bolt M6X40
60032-D	28		5KBR041	1	Fixation knob
60032-D	29		4BBC047	1	Bolt M6x100
60032-D	30		5KBR034	1	Frame front side
60032-D	31		5KBR037	1	Swingarm front

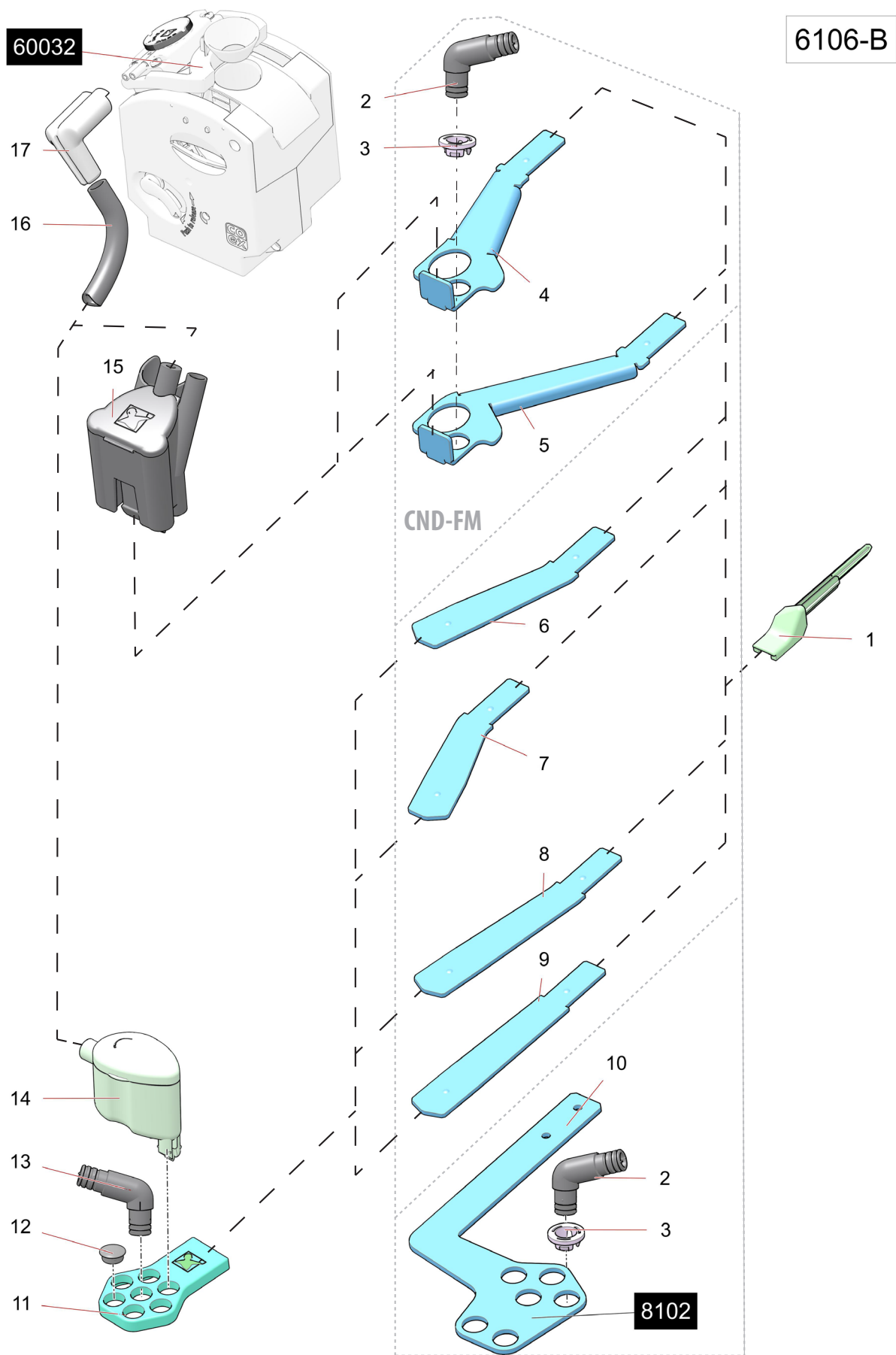


<i>Drawing</i>	<i>Pos</i>	<i>S</i>	<i>Part Nr</i>	<i>Qty</i>	<i>Spare Part Description</i>
60032-D	32		5KBR036	1	Swingarm back
60032-D	33		BR52	4	Hexagonal nut
60032-D	34		5KBR035	1	Brewer head
60032-D	35		4BPR005	4	Ring M5
60032-D	36		4BBK036	4	Bolt M5x40
60032-D	37		5KBR038	1	Knob upper piston
60032-D	38		5KBR039	1	Waste whiper
60032-D	39	SW	5KBR048	1	Funnel
					HISTORY
60032-D	03	SE	5MBR041	1	Filter screen lower piston <i>Replaced by 6ZBR152</i>
60032-D	09		4BPN015	1	Fixing bus 2x12 stainless steel <i>Not used anymore</i>

- Part numbers marked with "SE" are Service parts Engineer stock
- Part numbers marked with "SW" are Service parts Warehouse stock
- Part numbers marked with "n/a" are Not Available as spare part
- De Jong Duke recommends to have service parts available locally (SW) or as car stock (SE).



Drawing	Pos	S	Part Nr	Qty	Spare Part Description
8102					Refer to drawing 8102: Outlet Mechanism
6106-A	01	SW	5KBR061	1	Mounting bar CoEx outlet arm
Outlet configuration Virtu/Zia/Siro (Touch) FM (9CND 2015-)					
6106-A	02		5KVL022	n	Outlet knee
6106-A	03	SE	5KVL041	n	Clamp ring outlet pipe
6106-A	04		5MVL161	1	Outlet arm Virtu/Varea/Zia FM small <i>Central</i>
6106-A	05		5MVL163	1	Outlet arm Siro (Touch) FM small <i>Decentral</i>
Outlet configuration default (9CND 2015-)					
6106-A	06		5MVL162	1	Outlet arm Siro (Touch) small <i>Decentral</i>
6106-A	07		5MVL160	1	Outlet arm Virtu/Varea/Zia/Edge / V'eco/Avy/Lua/ Blu <i>Central</i>
Outlet configuration default (9CEC)					
6106-A	07		5MVL130	1	Outlet arm Blu/Avy/Lua <i>Central</i>
6106-A	08		5MVL085	1	Outlet arm Siro (Touch)/Virtu/Varea medium <i>Decentral</i>
6106-A	09		5MVL228	1	Outlet arm Zia medium <i>Decentral</i>
6106-A	10		5MBK073	1	Outlet arm Siro(Touch)/Virtu/Varea/Zia medium <i>Central, used with outlet mechanism</i>
Outlet holder					
6106-A	11		5KVL035	1	Outlet holder CoEx
6106-A	12		4KVL016	n	Outlet stop
6106-A	13		5KVL022	n	Outlet knee
CoEx brewer outlet					
6106-A			9VUL013	1	Dispensing nozzle assembly Coffee / Espresso for 9CND and 9CEC <i>with items 14, 16, 17</i>
6106-A	14		5KVL059	1	Outlet shute CoEx
6106-A	15		5KVL068	1	Outlet nozzle 2-way FM
6106-A	16	SE	4XSL003	1	Tube 8x12 grey
6106-A	17	SE	5RSL007	1	CoEx outlet single
HISTORY					
Outlet configuration Virtu/Zia/Siro (Touch) with Fresh Milk discontinued					
6106-A	04		5MVL154	1	Outlet bracket Virtu FM small / Zia FM (9CND) <i>Replaced by 5MVL161 from S/N 2015.51.xxxx.001</i>

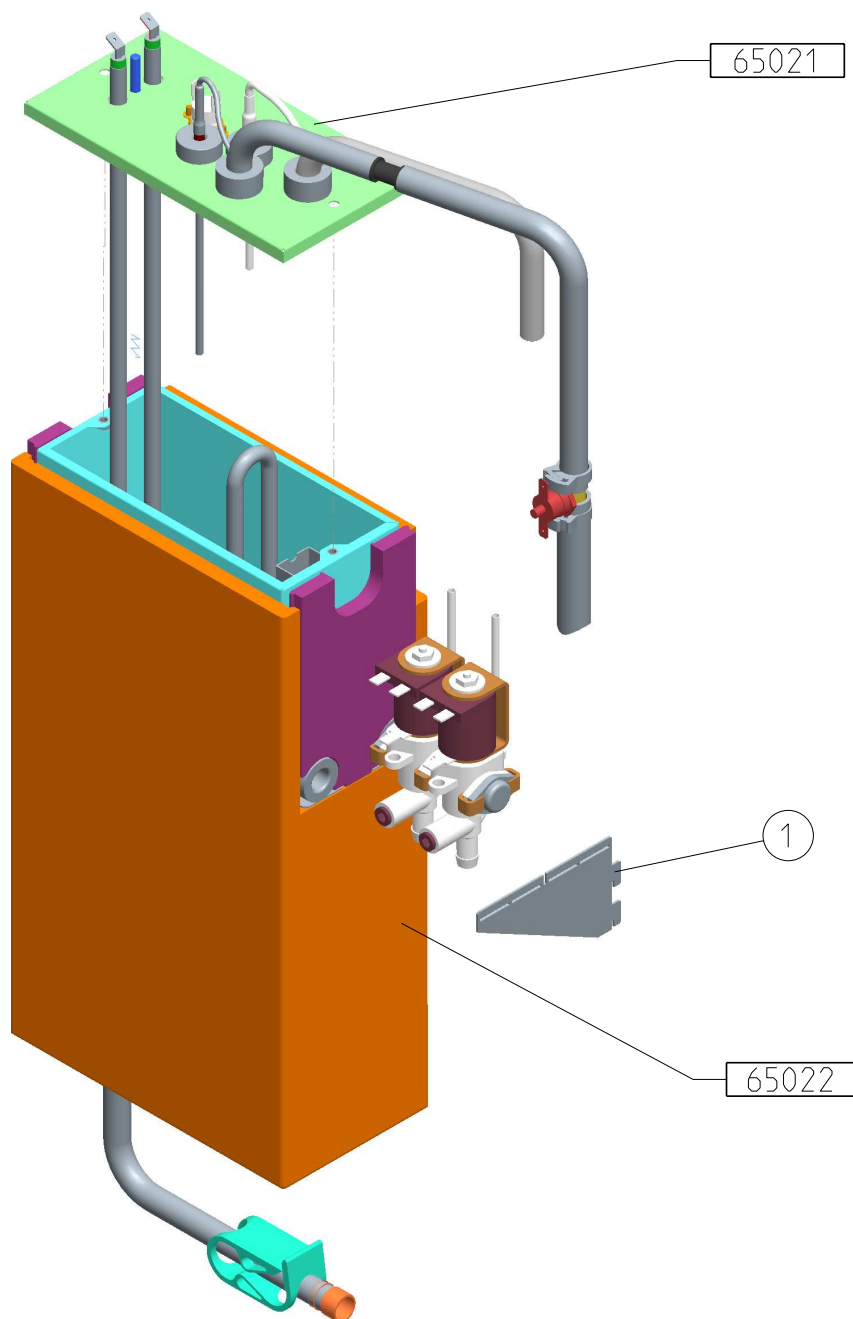


Drawing	Pos	S	Part Nr	Qty	Spare Part Description
6106-A	04		5MVL152	1	Outlet arm Virtu FM small / Zia FM (9CND) <i>Replaced by 5MVL161 from S/N 2015.51.xxxx.001</i>
6106-A	05		5MVL153	1	Outlet arm Siro (Touch) FM small (9CND) <i>One-piece replacement of items 2 + 4</i> <i>Replaced by 5MVL163 from S/N 2015.51.xxxx.001</i>
Outlet configuration Virtu/Zia discontinued					
6106-A	07		5MVL144	1	Outlet bracket 9CND (l=92) (Virtu / Zia) <i>Replaced by 5MVL187 from S/N 2014.04.2318.007</i>
6106-A	07		5MVL143	1	Outlet arm 9CND (Virtu / Zia) <i>Replaced by 5MVL187 from S/N 2014.04.2318.007</i>
6106-A	07		5MVL187	1	Outlet arm Virtu small / Zia (9CND) <i>Replaced by 5MVL160 from S/N 2015.51.xxxx.001</i>
6106-A	06		5MVL041	1	Outlet arm Siro (Touch) small (9CND) <i>Replaced by 5MVL162 from S/N 2015.51.xxxx.001</i>

- Part numbers marked with "SE" are Service parts Engineer stock
- Part numbers marked with "SW" are Service parts Warehouse stock
- Part numbers marked with "n/a" are Not Available as spare part
- De Jong Duke recommends to have service parts available locally (SW) or as car stock (SE).

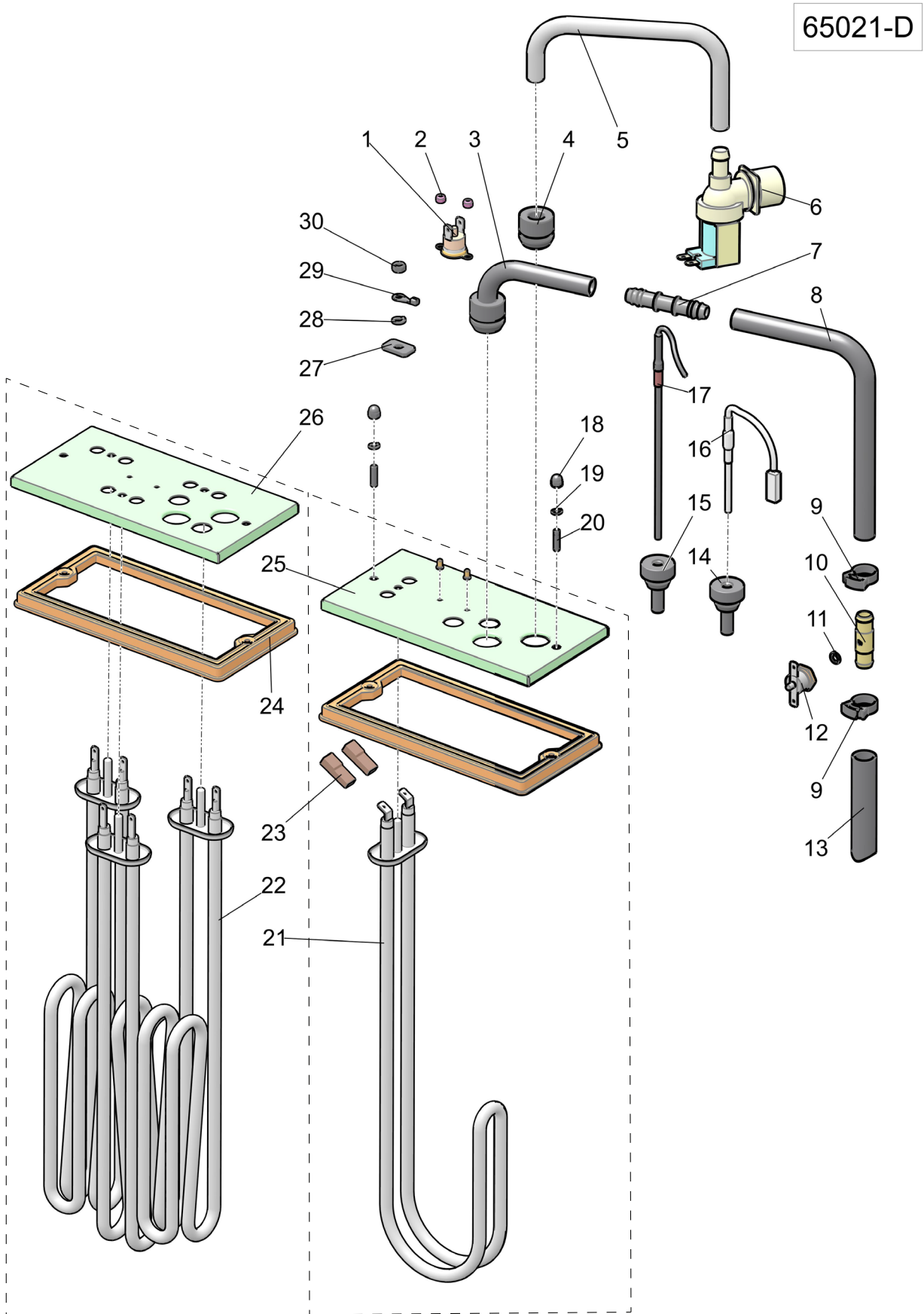


6502-C

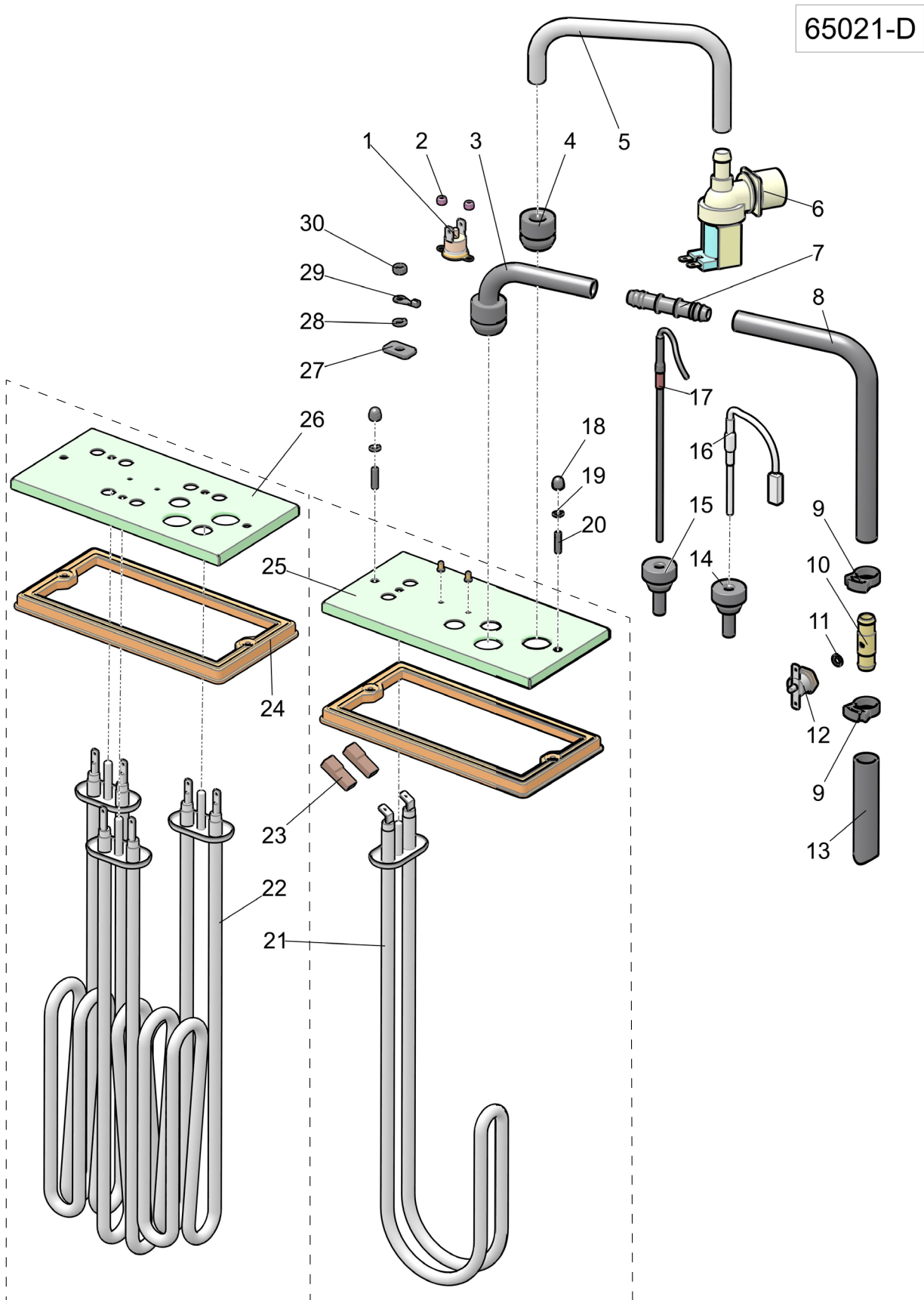


Drawing	Pos	S	Part Nr	Qty	Spare Part Description
65021					Refer to drawing 65021
65022					Refer to drawing 65022
					Open Boiler Cover <i>without tubes and outlet valves - see drawing 65021 for more details</i>
65021		SW	6VBL107		Open Boiler Cover Assembly 1x 2250W 230V AC
65021			6VBL105		Open Boiler Cover Assembly 3x 3000W 230V AC
65021			6VBL110		Open Boiler Cover Assembly 1x 1200W 110V AC
					Complete (Open Boiler Base + Boiler Cover) <i>without tubes and outlet valves - see drawing 65021 for more details</i>
65021		SW	6VBL108		Open Boiler Assembly 1x 2250W 230V
65021			6VBL111		Open Boiler Assembly 1x 1200W 110V AC
6502-C	01		5MVL053	1	Plate for outlet valves

- Part numbers marked with "SE" are Service parts Engineer stock
- Part numbers marked with "SW" are Service parts Warehouse stock
- Part numbers marked with "n/a" are Not Available as spare part
- De Jong Duke recommends to have service parts available on local (SW) or car (SE) stock.

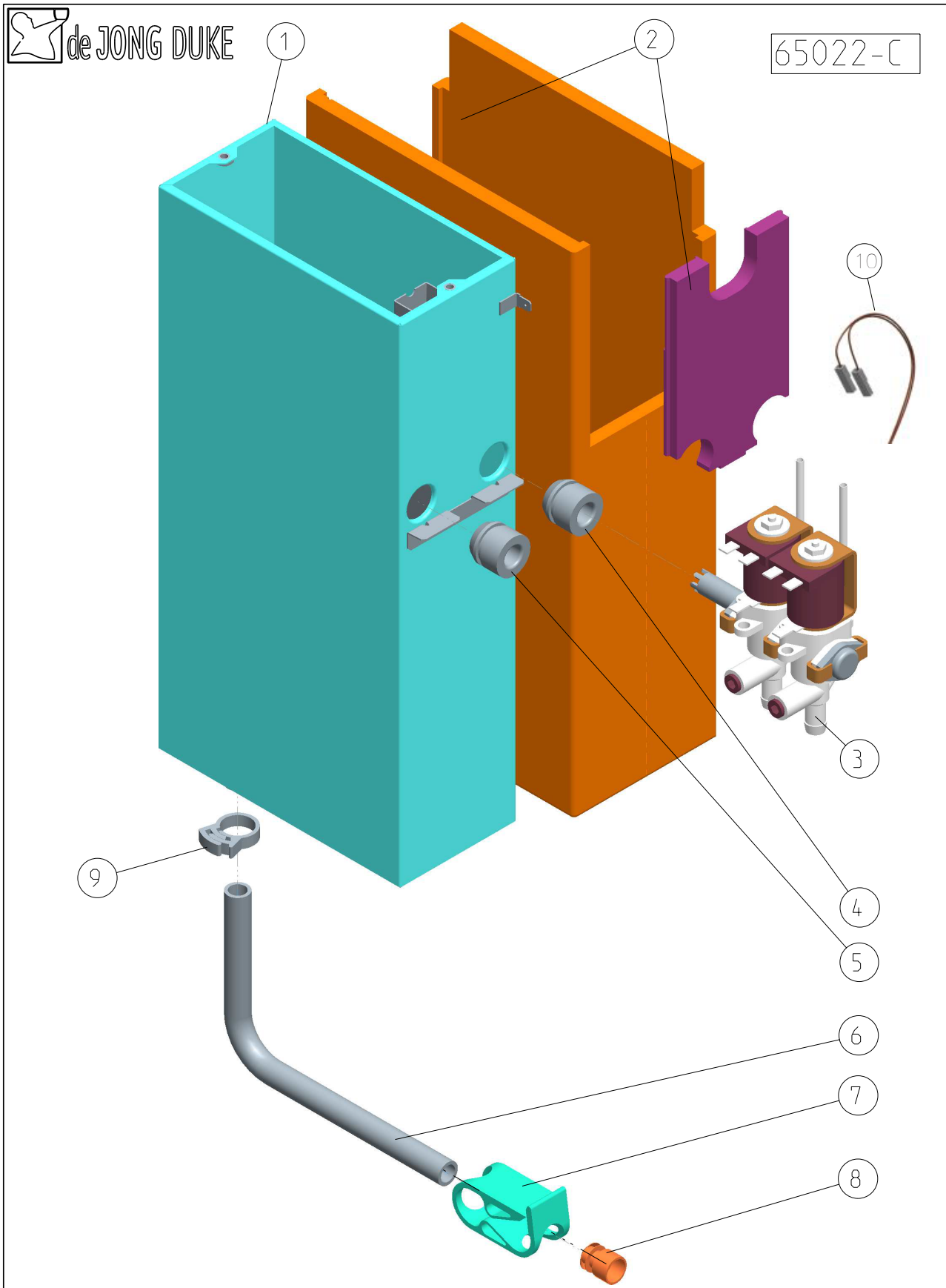


Drawing	Pos	S	Part Nr	Qty	Spare Part Description
65021-D		SW	6VUL050	1	Clixon Assembly (9FEC) <i>with items 10, 11, 12</i>
65021-D		SW	6VUL060	1	Clixon Assembly <i>with items 10, 11</i>
					Open Boiler Cover
65021-D		SW	6VBL107		Open Boiler Cover Assembly 1x 2250W 230V AC <i>with items 01, 02, 04, 14-17, 21(1x5EVW002), 23 (6CKB458), 25, 27-29</i>
65021-D			6VBL105		Open Boiler Cover Assembly 3x 3000W 230V AC <i>with items 01, 02, 04, 14-20, 22(3x5EVW013), 23(6CKB459), 24, 26-29</i>
65021-D			6VBL110		Open Boiler Cover Assembly 1x 1200W 110V AC <i>with items 01, 02, 04, 14-17, 21(1x5EVW005), 25, 27-29</i>
					Open Boiler Assembly Complete
65021-D		SW	6VBL108		Open Boiler Assembly 1x 2250W 230V <i>contains assembly 6VBL107 (see above), 6VBL102 (see drawing 65022 pos 01) and items 18-20, 24</i>
65021-D			6VBL111		Open Boiler Assembly 1x 1200W 110V AC <i>contains assembly 6VBL110 (see above), 6VBL102 (see drawing 65022 pos 01) and items 18-20, 24</i>
					Parts
65021-D	01	SW	4EBV017	1	Temperature safety 110C (clixon)
65021-D	02		4BMZ043	2	Nut lock M3
65021-D	03	SW	5RDT006	1	Tube overflow
65021-D	04	SE	5RDT004	1	Open fitting stainless-steel-boiler
65021-D	05		5MVL151	1	Inlet pipe boiler 130mm
65021-D	06		4EMV070	1	Inlet valve single outlet 24VDC with backflow protection (9INB,9FND)
65021-D	06		4EMV072	1	Inlet valve single outlet 24VDC 5 Litre (9INB 38xx models)
65021-D	07		4KVL014	1	Tube connection 12-12
65021-D	08		XF50A		Supply hose
65021-D	09		4BKM022	1	Hose Clamp Water Tank Inlet d=13.5-15
65021-D	10		5MVL148	1	Clixon pipe
65021-D	10		5KVL024 / 5MVL011	1	Clixon pipe (9FEC) - upper part - plastic - lower part - metal (brass)
65021-D	11		4BVR010	1	Spring washer M5
65021-D	12	SW	B52	1	Clixon Steam Protection 90 Celcius
65021-D	13		XF50A		Supply hose
65021-D	14	SW	5RDT009	1	Stop fitting sensor level probe
65021-D	15	SW	5RDT009	1	Stop fitting sensor boiler
65021-D	16	SE	5ESE010	1	Level probe open boiler
65021-D	17	SE	5ESE009	1	Temperature sensor 140mm for open boiler
65021-D	18		4BMZ023	2	Acorn nut M4 stainless steel



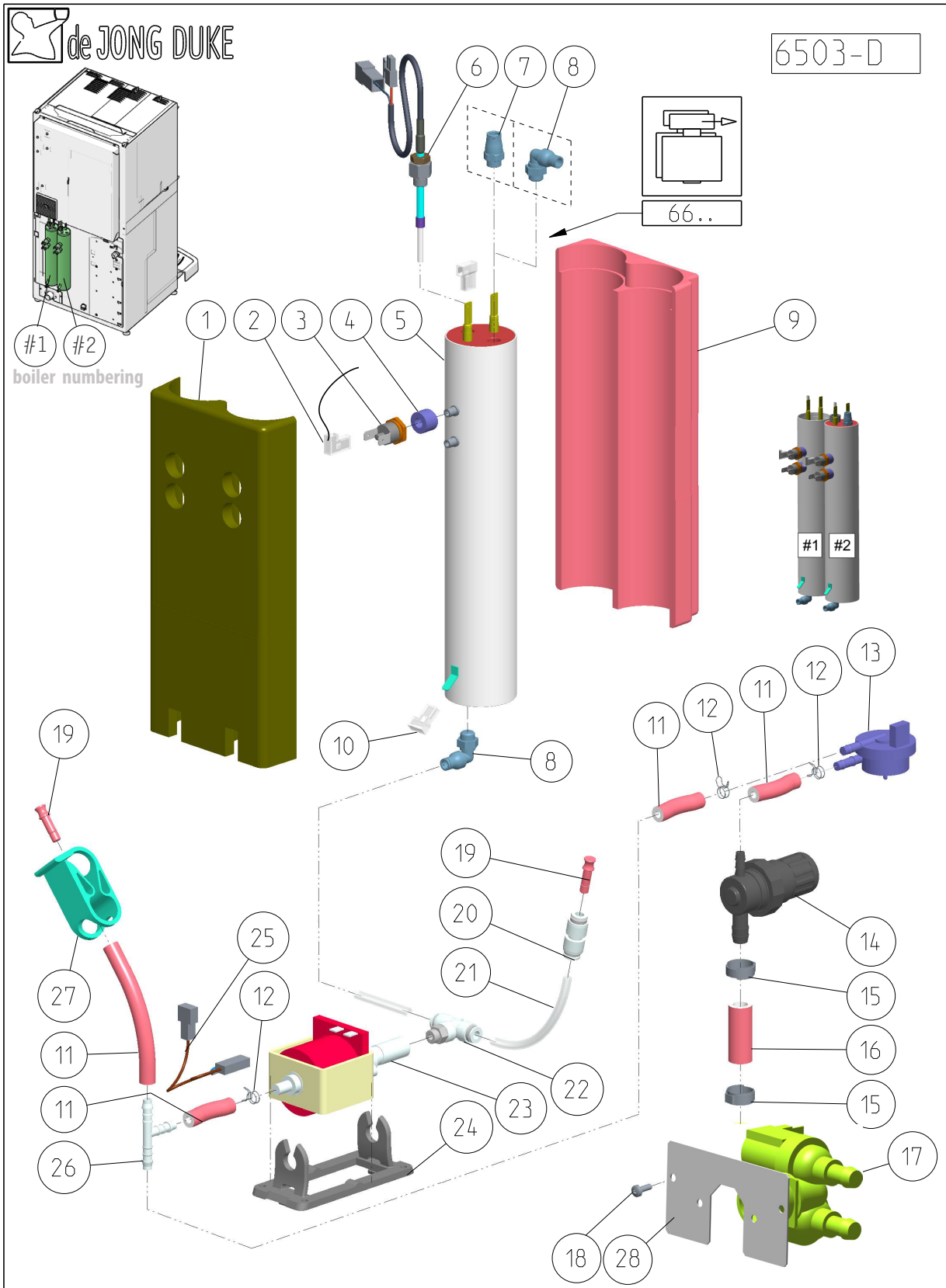
Drawing	Pos	S	Part Nr	Qty	Spare Part Description
65021-D	19		4BVR018	2	Ring M5 stainless steel
65021-D	20		4BBY029	2	Screw M4x16 stainless steel
65021-D	21	SW	5EVW002	1	Heater element 2250W 230V AC
65021-D	21	SW	5EVW005	1	Heater element 1200W 110V AC
65021-D	22	SW	5EVW013	3	Heater element 3000W 230V AC for HC
65021-D	23		6CKB458	1	Wire harness open boiler feed water container 230V
65021-D	23		6CKB459	1	Wire harness 3 phase instant HC
65021-D	24	SW	5RVA017	1	Seal boiler
65021-D	25		5MVL147	1	Boiler lid for 1 heater
65021-D	26		5MVL135	1	Boiler lid for 3 heaters
65021-D	27		5MVL123	1	Fixation plate heater
65021-D	28		4BVR017	1	Spring washer M5 stainless steel
65021-D	29		4BMZ022	1	Nut M5
65021-D	30			1	Ground wire (from wire harness - pos 23)
					History
65021-D	01		4EMV050	1	Inlet valve single outlet 24VDC 5 Liter/min for High Capacity Machine <i>Replaced by 4EMV072</i>
65021-D	01	SE	4EMV041	1	Inlet valve single outlet 24VDC <i>Replaced by 4EMV059 from S/N 2015.09.xxxx.001</i>
65021-D	01	SE	4EMV059	1	Inlet valve single outlet 24VDC with backflow protection <i>Replaced by 4EMV070 from S/N 20xx.xx.xxxx.001</i>
65021-D	12	SW	4EBV016	1	Clixon Steam Protection 110 Celcius <i>Replaced by B52</i>
65021-D	14	SW	5RDT003	1	Stop fitting sensor level probe <i>Replaced by 5RDT009</i>

- Part numbers marked with "SE" are Service parts Engineer stock
- Part numbers marked with "SW" are Service parts Warehouse stock
- Part numbers marked with "n/a" are Not Available as spare part
- De Jong Duke recommends to have service parts available on local (SE) or car stock (SW).

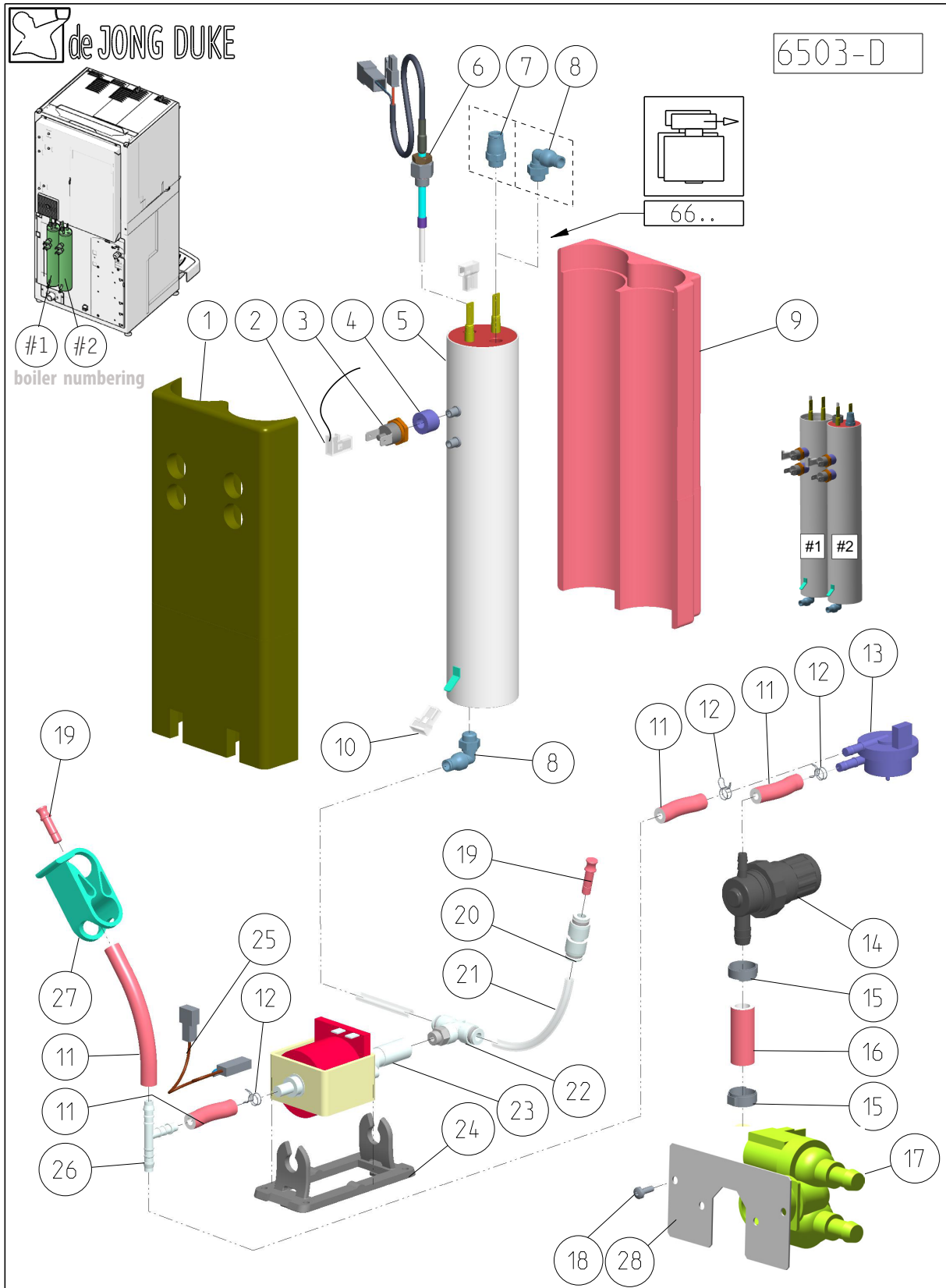


Drawing	Pos	S	Part Nr	Qty	Spare Part Description
65022-C	01		6VBL102	1	Boiler tank stainless steel
65022-C	02		6KVL001	1	Isolation boiler
65022-C	03	SE	4EMV022	n	Outlet valve Muller Single Left (24v)
65022-C	03	SE	4EMV023	n	Outlet valve Muller Double Left (24v)
65022-C	03	SE	4EMV024	n	Outlet valve Muller 3-way Left (24v)
65022-C	04	SE	5RDT004	2	Open fitting stainless-steel-boiler
65022-C	05	SE	5RDT005	n	Stop-fitting stainless-steel-boiler (Red)
65022-C	06		4XSL005	1	tube 10x14
65022-C	07		4KVL010	1	Cut-off clamp hose 19 mm
65022-C	08		4KDS006	1	Draining plug boiler
65022-C	09		4BKM024	1	Hose Clamp d=17-18
65022-C	10		6CKB210	1	Cable
65022-C	10		6CKB449	1	Cable <i>9FEC only - contains earth clip</i>
HISTORY					
65022-C	05	SE	5RDT005	n	Stop-fitting stainless-steel-boiler (White) <i>replaced by 5RDT005 red fitting from S/N 2011.50.xxxxx.xxx</i>

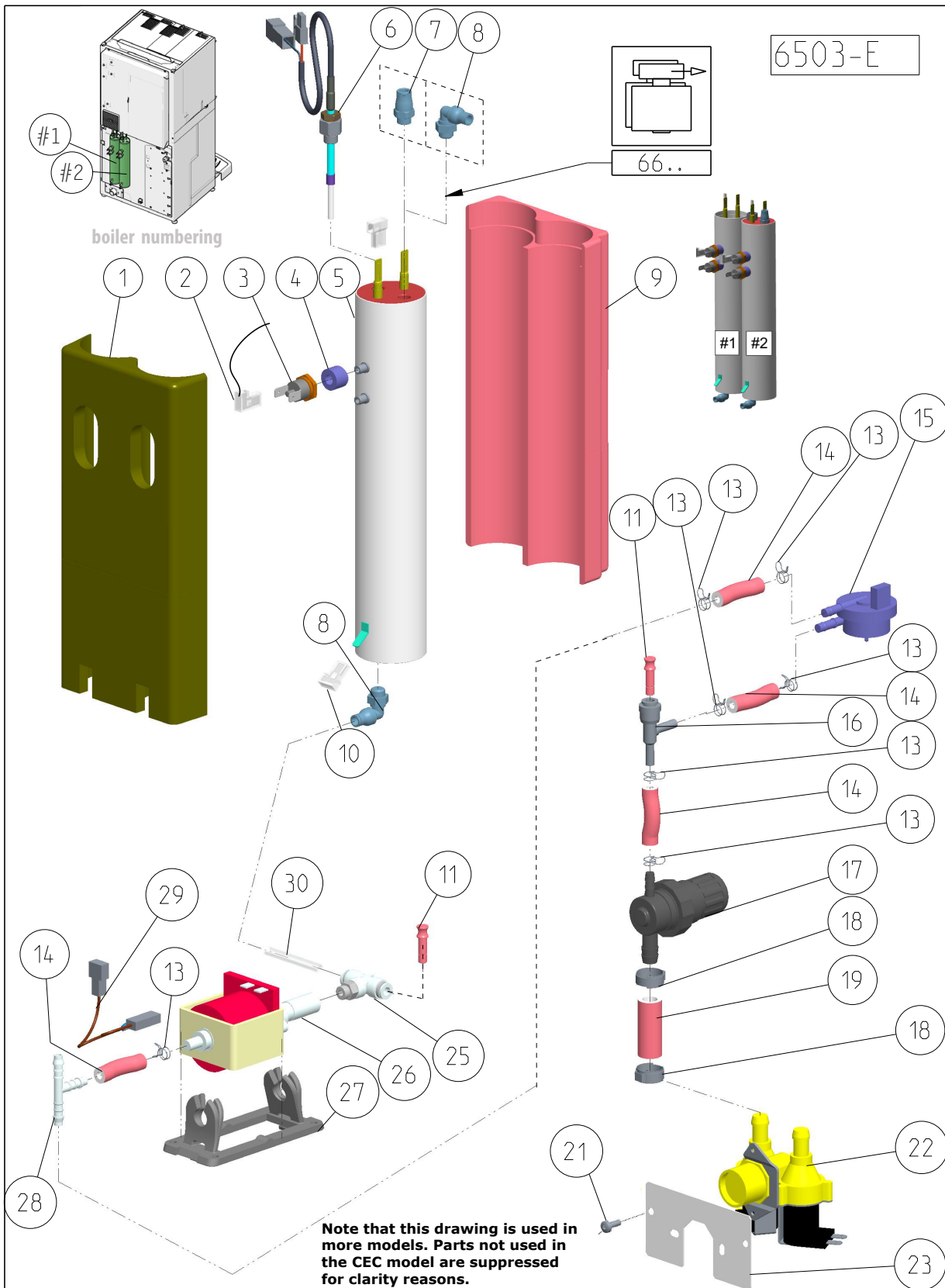
- Part numbers marked with "SE" are Service parts Engineer stock
- Part numbers marked with "SW" are Service parts Warehouse stock
- Part numbers marked with "n/a" are Not Available as spare part
- De Jong Duke recommends to have service parts available on local (SW) or car (SE) stock.



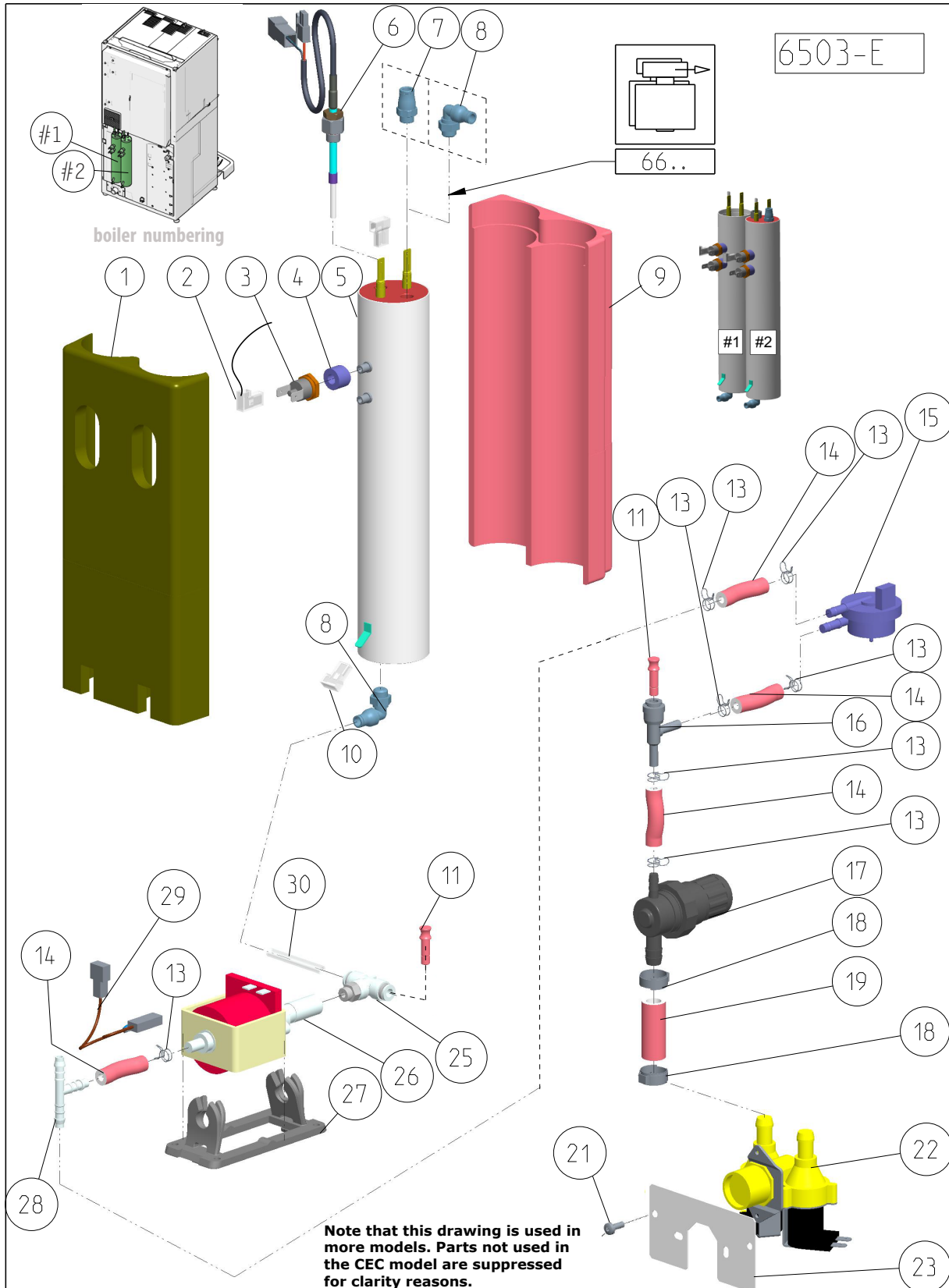
Drawing	Pos	S	Part Nr	Qty	Spare Part Description
					REFERENCES
66..					Refer to drawing valves (metal) : 6602 CEC valves (plastic) : 6605 CEC
					SETS - 230V
			6VBL074		Pressure boiler 1660W / 230 VAC assembly <i>with item: 3, 4, 5, 6, 7 (1x4MPF034), 8 (1x4MPF032)</i>
			6VBL092-4		Pressure boiler 1660W / 230 VAC assembly <i>with item: 2, 3, 4, 5, 6, 7 (1x4MPF100), 8 (1x4KPF027) and 21</i>
			6VBL113		Pressure boiler 1660W / 230 VAC assembly <i>with item: 3, 4, 5, 6, 8 (1x4KPF027)</i>
			6VBL114		Pressure boiler (#1) 1660W / 230 VAC assembly <i>with items: 3, 4, 5, 6, 8 (2x4KPF027)</i>
					SETS - 120V - USA
			6VBL097		Pressure boiler (#2) 1200W / 120 VAC (1 clixon) assembly <i>with items: 3, 4, 5, 6, 8 (2x4MPF032)</i>
					PARTS
6503-D	01		5KVL042		Front isolation for boilers
6503-D	02		6CKB288 +6CKB308		Clixon phase wires
6503-D	03	SW	4EBV018		Temperature safety clixon 110+/-5°C
6503-D	04		5MVL037		Clixon spacer
6503-D	05	SW	6VBL117		Pressure boiler 1660W 230VAC
6503-D	05	SW	6VBL075		Pressure boiler 1200W 120VAC <i>US only</i>
6503-D	06	SE	6CSS059	1	Boiler temperature and level probe 135 mm <i>For 1660W boiler (6VBL117); check Information Bulletin IB-20210608 for more details</i>
6503-D	06	SE	6CSS037	1	Boiler temperature and level probe 90 mm <i>For 1400W boiler (6VBL071); check Information Bulletin IB-20210608 for more details</i>
6503-D	07	SE	4MPF034		Push-in straight fitting 1/8"BU-sl6mm
6503-D	07	SE	4MPF100		Push-in straight fitting 1/8"bd-sl6mm (stainless steel)
6503-D	08	SE	4MPF032		Push-in L fitting 1/8bd-sl6mm
6503-D	08	SE	4KPF027		Quick connection PPSU L 1/8bd sl6mm
6503-D	09		5KVL043		Back isolation for boilers
6503-D	10		6CKB308 +6CKB453		Ground wires
6503-D	11	SE	4XSL037		Pressure hose 5x11
6503-D	12	SE	4MVR013		Hose clamp 11mm
6503-D	13	SE	4ESE008		Watercounter / Flow meter 1.8mm
6503-D	14	SE	4MVL011		Pressure reducer 0-2 bar



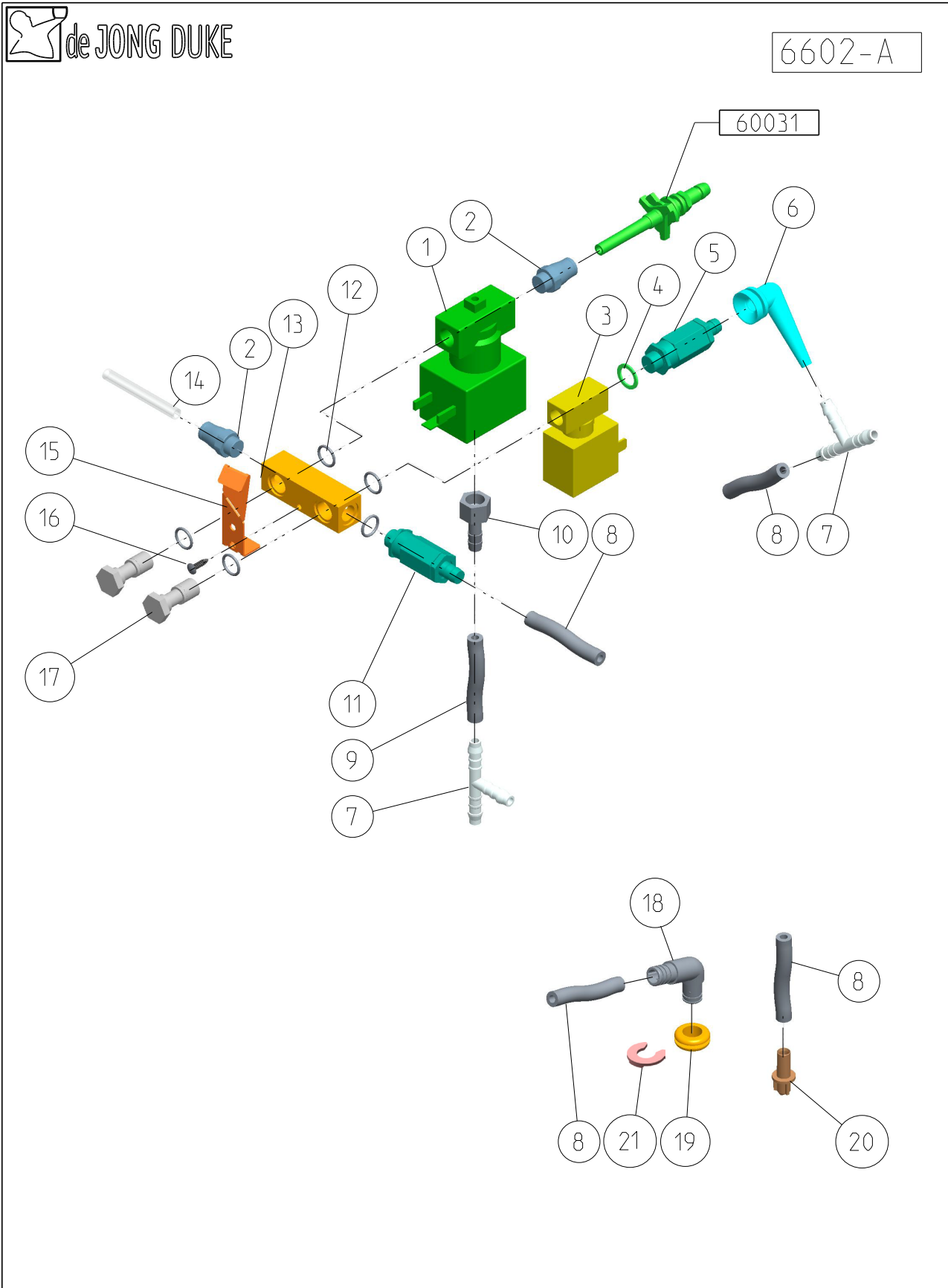
Drawing	Pos	S	Part Nr	Qty	Spare Part Description
6503-D	15	SE	4BKM046		Hose clamp 18.5 R
6503-D	16	SE	4XSL050		Pressure hose 10x16 PVC
6503-D	17	SE	4EMV071		Inlet valve double 24V DC with backflow protection
6503-D	18		4BBK032		Bolt M4x12 and washer
6503-D	19		5MPF007		Plug 6mm
6503-D	20	SE	4KPF025		Push-in straight fitting 6mm-6mm (PPSU)
6503-D	21	SE	4XSL035		Pressure tube 6mm
6503-D	22	SE	4KPF023		Push-in T fitting 1/8bd sl6mm (PPSU)
6503-D	23	SE	4EMT027		Pump 0-15bar
6503-D	24	SW	5RVA019		Rubber pump mounting
6503-D	25		6CKB511		Thermal cut-out / temperature protection <i>Added from S/N 2018.01.xxxx.001</i>
6503-D	26	SE	4KVL013		T-connector 4mm
6503-D	27		4KVL010		Hose cut-off clamp 19mm
6503-D	28		5MVL082		Fixing plate inlet valve
					HISTORY
			6VBL114-1		Pressure boiler (#1) 1400W / 230 VAC (1 clixon) assembly
			6VBL115-1		Pressure boiler (#2) 1400W / 230 VAC (1 clixon) assembly
			6VBL093		Pressure boiler (#1) 1200W / 230 VAC (1 clixon) assembly
6503-D	03	SW	4EBV016		Temperature safety clixon 110+/-5°C <i>Replaced by 4EBV018</i>
6503-D	05	SW	6VBL071		Pressure boiler 1400W 230Vac <i>Replaced by 6VBL117 from S/N 2021.14.0428.001; check Information Bulletin IB-20210608 for more details</i>
6503-D	07	SE	4MPF088		Push-in straight fitting 1/8"BU-sl6mm (stainless steel) <i>Replaced by 4MPF100 from S/N 2018.40.xxxx.001</i>
6503-D	08	SE	4MPF087		Push-in L fitting 1/8bd-sl6mm (stainless steel) <i>Replaced by 4KPF027 from S/N 2015.02.xxxx.001</i>
6503-D	14	SE	4MVL010		Pressure reducer 0-2 bar <i>Replaced by 4MVL011 from S/N 2014.41.xxxx.001</i>
6503-D	15	SE	4BKM047		Hose clamp 19.5 R <i>Replaced by 4BKM046 from S/N 2017.17.xxxx.001</i>
6503-D	16	SE	4XSL042		Pressure hose 10x18 <i>Replaced by 4XSL050 from S/N 2017.17.xxxx.001</i>
6503-D	17	SE	4EMV059		Inlet valve 24V DC with backflow protection <i>Replaced by 4EMV071 from S/N 2015.40.xxxx.001</i>
6503-D	19		4MPF077		Plug 6mm <i>Replaced by 5MPF007 from S/N 2013.04.xxxx.001</i>
6503-D	20	SE	4MPF064		Push-in straight fitting 6mm-6mm <i>Replaced by 4KPF025</i>



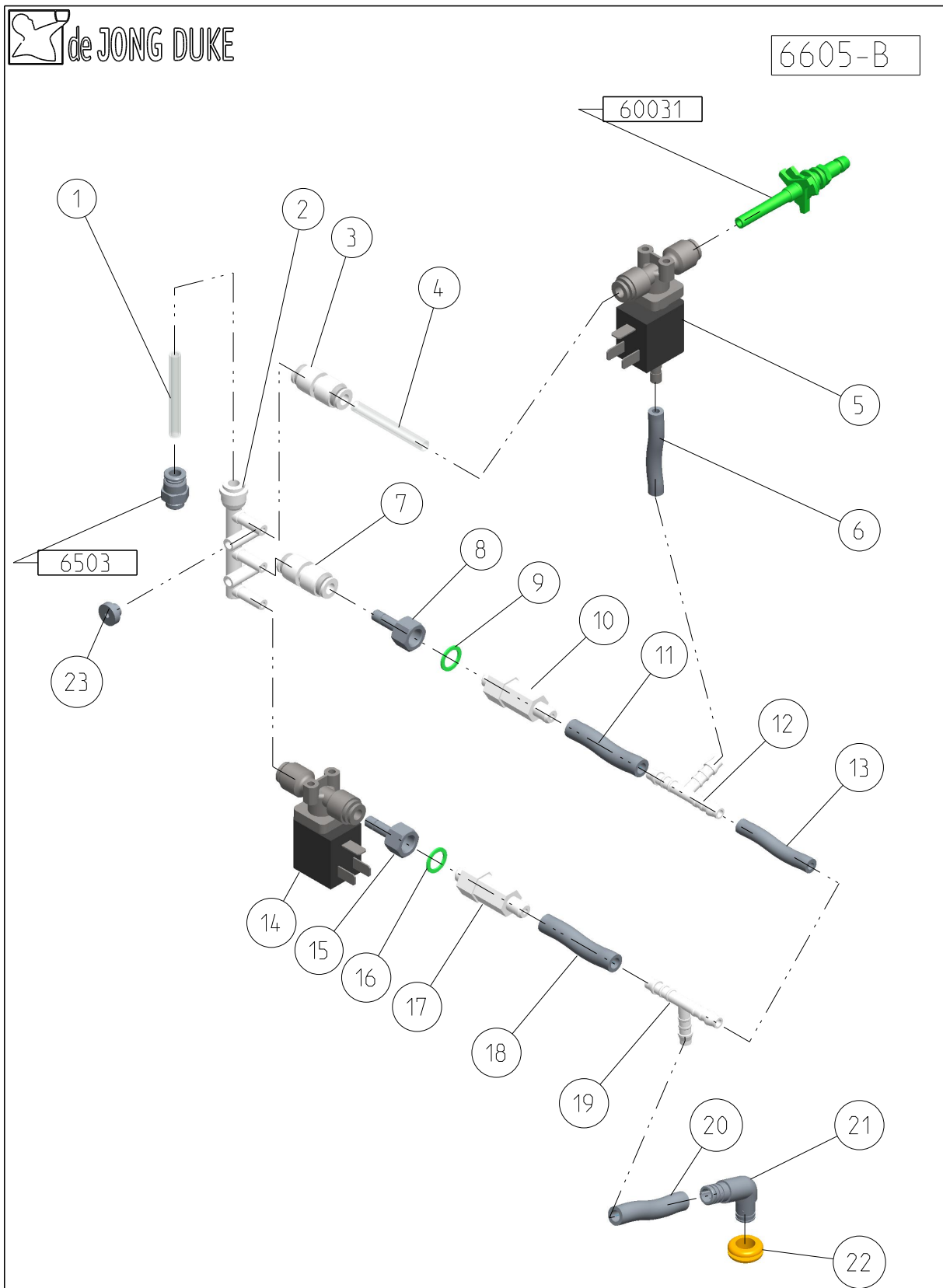
<i>Drawing</i>	<i>Pos</i>	<i>S</i>	<i>Part Nr</i>	<i>Qty</i>	<i>Spare Part Description</i>
					REFERENCES
66..					Refer to drawing valves (plastic) : 6605 CEC
					SETS - 230V Pressure Boiler
			6VBL130		Pressure boiler (#1) 1660W / 230 VAC (2 clixons) assembly <i>with items: 3, 4, 5, 6, 8 (2x4KPF027)</i>
			6VBL113		Pressure boiler (#2) 1660W / 230 VAC (2 clixons) assembly <i>with items: 3, 4, 5, 6, 8 (1x4KPF027)</i>
			6VBL092-4		Pressure boiler 1660W / 230 VAC assembly <i>with items: 2, 3, 4, 5, 6, 7 (1 x 4MPF100), 8 (1 x 4KPF027) and 30</i>
					PARTS
6503-E	01		5KVL042		Front isolation for boilers
6503-E	02		6CKB288 +6CKB308		Clixon phase wires
6503-E	03	SW	4EBV018		Temperature safety clixon 110+/-5°C
6503-E	04		5MVL037		Clixon spacer
6503-E	05	SW	6VBL117		Pressure boiler 1660W 230VAC
6503-E	05	SW	6VBL075		Pressure boiler 1200W 120VAC <i>US only</i>
6503-E	06	SE	6CSS059		Boiler temperature and level probe 135 mm <i>For 1660W boiler (6VBL117); check Information Bulletin IB-20210608 for more details</i>
6503-E	06	SE	6CSS037		Boiler temperature and level probe 90 mm <i>For 1400W boiler (6VBL071); check Information Bulletin IB-20210608 for more details</i>
6503-E	07	SE	4MPF034		Push-in straight fitting 1/8"BU-sl6mm
6503-E	07	SE	4MPF100		Push-in straight fitting 1/8"bd sl6mm (stainless steel)
6503-E	08	SE	4KPF027		Quick connection PPSU L 1/8bd sl6mm
6503-E	09		5KVL043		Back isolation for boilers
6503-E	10		6CKB308 +6CKB453		Ground wires
6503-E	11		5MPF007		Plug 6mm
6503-E	12		n/a		
6503-E	13	SE	4MVR013		Hose clamp 11m
6503-E	14	SE	4XSL037		Pressure hose 5x11
6503-E	15	SE	4ESE008		Watercounter / Flow meter 1.8mm
6503-E	16		4KPF055		Quick connection PPSU T 6-6-sl6
6503-E	17	SE	4MVL011		Pressure reducer 0-2 bar
6503-E	18	SE	4BKM046		Hose clamp 18.5 R
6503-E	19	SE	4XSL050		Pressure hose 10x16 PVC
6503-E	20		n/a		



Drawing	Pos	S	Part Nr	Qty	Spare Part Description
6503-E	21		4BBK032		Bolt M4x12 and washer
6503-E	22	SE	4EMV071		Inlet valve double 24V DC with backflow protection
6503-E	23		5MVL082		Fixing plate inlet valve
6503-E	24		n/a		
6503-E	25	SE	4KPF023		Push-in T fitting 1/8bd sl6mm (PPSU)
6503-E	26	SE	4EMT027		Pump 0-15bar
6503-E	27	SW	5RVA019		Rubber pump mounting
6503-E	28	SE	4KVL013		T-connector 4mm
6503-E	29		6CKB511		Thermal cut-out / temperature protection <i>Added from S/N 2018.01.xxxx.001</i>
6503-E	30	SE	4XSL035		Pressure tube 6mm
					HISTORY
6503-E	05		6VBL071		Pressure boiler 1400W 230VAC <i>Replaced by 6VBL117 from S/N 2021.14.0428.001; check Information Bulletin IB-20210608 for more details</i>
6503-E	07		4MPF088		Push-in straight fitting 1/8"BU-sl6mm (stainless steel) <i>Replaced by 4MPF100 from S/N 2018.40.xxxx.xxx</i>

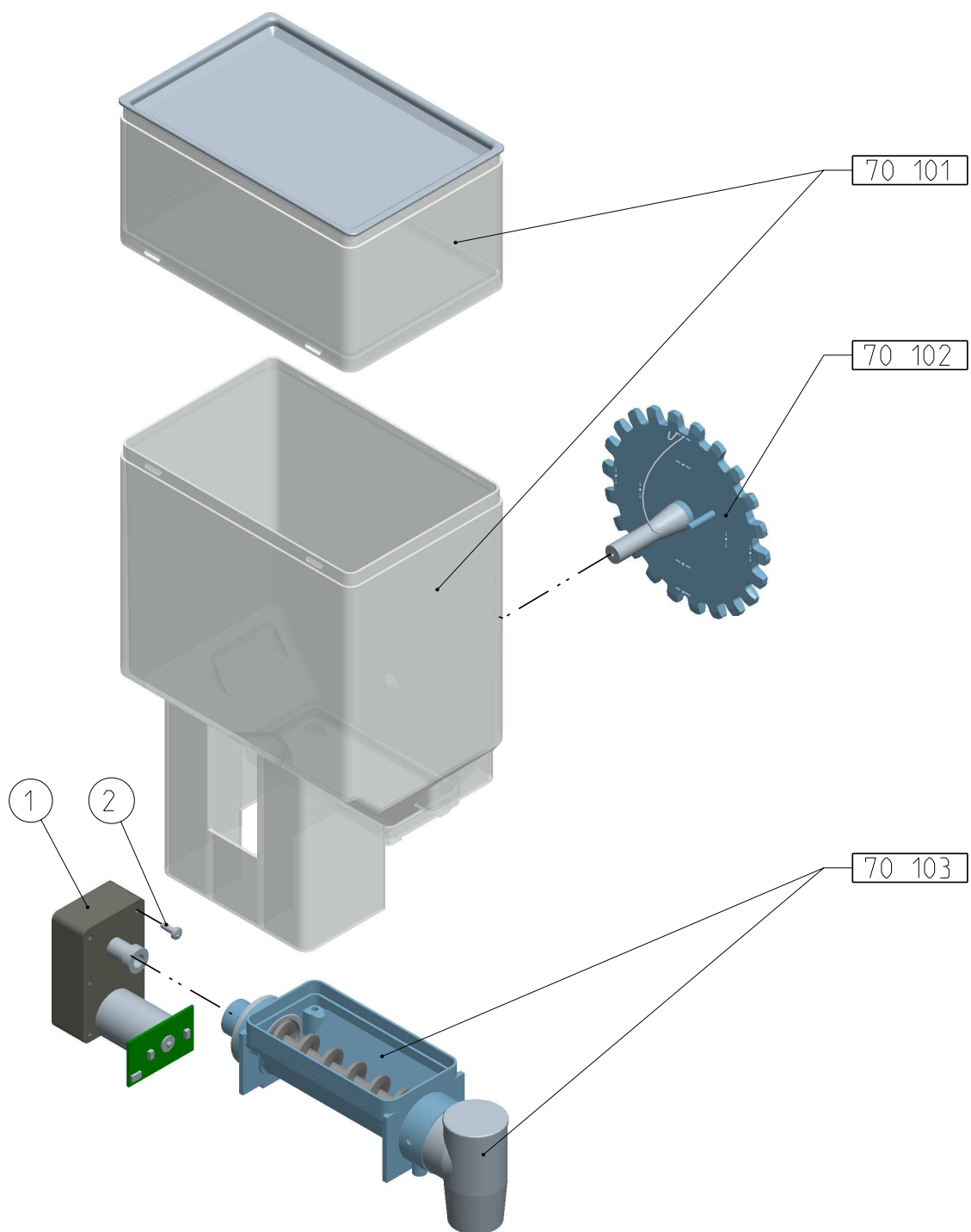


Drawing	Pos	S	Part Nr	Qty	Spare Part Description
60031					Refer to drawing 60031: CoExBrewer Motor Assembly
6602-A	01	SE	9VIL017		3-way coffee valve 4EMV032 <i>with item 12 (2x)</i>
6602-A	01	SE	4EMV058		3-way coffee valve (stainless steel)
6602-A	02	SE	4MPF034		Push-in straight fitting 1/8"BU-sl6mm
6602-A	02	SE	4MPF100		Push-in straight fitting 1/8"bd-sl6mm (stainless steel)
6602-A	03	SE	9VIL016		2-way valve 4EMV068 <i>with item 12 (2x)</i>
6602-A	03	SE	4EMV057		2-way valve (stainless steel)
6602-A	04	SE	4BPR031		Sealing ring fiber
6602-A	05	SE	4MPF084		Safety valve 2Bar
6602-A	06		5RVA007		Silicone tube 90°
6602-A	07	SE	4KVL013		T-connector 4mm
6602-A	08	SE	4XSL002		Tube 6x10 Grey
6602-A	09	SE	4XSL002		Tube 6x10 Grey
6602-A	10	SW	4MPF047		Tube pilar G1/8"P-inw
6602-A	11	SE	4MPF085		Safety valve 12Bar (stainless steel)
6602-A	12	SE	4ROR049		O-ring 9.1x1.6
6602-A	13	SW	5MVL088		Manifold 2 valves 1 output port
6602-A	13		5MVL173		Manifold 2 valves 1 output port (stainless steel)
6602-A	14	SE	4XSL035		Pressure tube 6x4
6602-A	15		5MVL234		Manifold bracket
6602-A	16	SE	4BBV046		Bolt M3x10
6602-A	17	SE	5MPF019		Banjo bolt G1/8" L=27mm (stainless steel)
6602-A	18		5KVL022		Outlet knee 107 grd d=10 2x
6602-A	19		4RDT010		Ring 10x12x18 for 2mm plate
6602-A	20	SW	5KVL037		Outlet pipe
6602-A	21		4BBG026		Locking Clip 6mm
HISTORY					
6602-A	02	SE	4MPF088		Push-in straight fitting 1/8"BU-sl6mm (stainless steel) <i>Replaced by 4MPF100 from S/N 2018.40.xxxx.001</i>
6602-A	03		4EMV031		2-way valve <i>Replaced by 4EMV065 from S/N 2015.05.xxxx.001</i>
6602-A	03		4EMV065		2-way valve with stainless steel piston <i>Replaced by 4EMV068 from S/N 2015.50.xxxx.001</i>
6602-A	12	SE	4ROR021		O-ring 9.1x1.6 <i>Replaced by 4ROR049 from S/N 2021.48.xxxx.001</i>
6602-A	16	SE	4BKL040		Snap Rivet g=3.0 d=6 l=11 (nylon) <i>Replaced by 4BBV046 from S/N 2018.14.xxxx.01</i>
6602-A	17	SE	4MPF045		Banjo bolt G1/8" L=27mm <i>Replaced by 5MPF019</i>











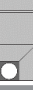




Drawing	Pos	S	Part Nr	Qty	Spare Part Description
60031					Refer to drawing 60031: CoExBrewer Motor Assembly
6605-B	01	SE	4XSL035	1	Pressure Tube PTFE 6mm (L=190mm)
6605-B	02		4KPF037	1	Manifold PPSU 3-out closed
6605-B	03	SE	4KPF025	1	Quick Connection PPSU straight 6mm-6mm
6605-B	04	SE	4XSL035	1	Pressure Tube PTFE 6mm (L=215mm)
6605-B	05		4EMV063	1	Outlet Valve Plastic 3-way DN1,5/12bar
6605-B	06		4XSL001	1	Tube 4x8 grey (L=44mm)
6605-B	07	SE	4KPF025	1	Quick Connection PPSU straight 6mm-6mm
6605-B	08	SE	5MPF009	1	Insert Connection D6 G1/8 (stainless steel)
6605-B	09	SE	4BPR031	1	Sealing ring fiber 10x14x1
6605-B	10	SE	4MPF085	1	Relief Valve 12 bar (stainless steel 303)
6605-B	11	SE	4XSL002	1	Silicone tube grey 6x10 (L=44mm)
6605-B	12	SE	4KVL013	1	Tube Connection T POM Di=4mm
6605-B	13		4XSL001	1	Tube 4x8 mm Grey (L=90mm)
6605-B	14		4EMV062	1	Outlet Valve Plastic 2-way DN1,5/16bar
6605-B	15	SE	5MPF009	1	Insert Connection D6 G1/8 (stainless steel)
6605-B	16	SE	4BPR031	1	Sealing ring fiber 10x14x1
6605-B	17	SE	4MPF084	1	Relief Valve 2 bar (stainless steel 303)
6605-B	18	SE	4XSL002	1	Silicone tube grey 6x10 (L=35mm)
6605-B	19	SE	4KVL013	1	Tube Connection T POM Di=4mm
6605-B	20	SE	4XSL002	1	Silicone tube grey 6x10 (L=40mm)
6605-B	21	SE	5KVL022	1	Outlet Knee 107 grd d=10
6605-B	22		4RDT010	1	Cable grommet 10x12x18 for 2mm plate
6605-B	23		4BMV011	1	Knurled Nut M3 off-white

- Part numbers marked with "SE" are Service parts Engineer stock
- Part numbers marked with "SW" are Service parts Warehouse stock
- Part numbers marked with "n/a" are Not Available as spare part
- De Jong Duke recommends to have service parts directly available locally or as in car stock.



<i>Drawing</i>	<i>Pos</i>	<i>S</i>	<i>Part Nr</i>	<i>Qty</i>	<i>Spare Part Description</i>
70101					Refer to drawing 70101: Canister Body
70102					Refer to drawing 70102: Canister Wheel and Spring
70103					Refer to drawing 70103: Canister Spring
7010-B	01	SE	5EMT007	1	Powder motor 120 rpm 24VDC
7010-B	02		4BSC036	2	Cutting screw 3.5x9.5


Canister overview small & medium models

CANISTER OVERVIEW														
TYPE	ORD#NBR	INGREDIENT												
		BEANS	COFFEE	INSTANT COFFEE	DECAF COFFEE	INSTANT DECAF	SUGAR	SOUP	INSTANT TEA	TEA	TOPPING	CHOC	MILK	FRENCH VANILLA
	6DCN335 BEANS IN DOOR	+												
	9DCN088 * BEAN CANISTER	+												
*) 9DCN088 also available with lock: 9DCN090 or with extension: 9DCN089 or extension with lock: 9DCN091														
58														
	9DCN100111			+										
	9DCN100113						+							
	9DCN100114								+					
	9DCN120113		+		+			+			+	+		
	9DCN101111			+		+				+				
	9DCN101113						+							
	9DCN101114								+					
	9DCN121113		+		+			+			+	+	+	+
88														
	9DCN320113		+									+		
	9DCN201111			+										
	9DCN220113		+											
	9DCN221113							+			+	+		
	9DCN321113										+	+		
118														
	9DCN420113										+	+		
	9DCN401111			+										
	9DCN401113						+							
	9DCN421113		+		+						+	+		
	9DCN520113		+								+	+		
	9DCN521113		+								+	+		
174														
	9DCN620113		+								+	+		
	9DCN601111			+										
	9DCN621113		+											
	9DCN621123		+											

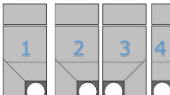
O:\Duke\Afdelingen\Aftersales\02- Knowledge Base\# AS&CS_Documentation_Doc_General\Canister Configurations\CANISTER_CONFIGURATIONS_OVERVIEW_9DCNx_9CKA_V09.docx

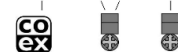
9CEC INTERNAL CANISTERS

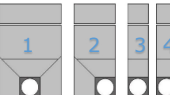
	#	1	2	3	4	6	7	INGREDIENT	ORD# CAN.	ORD# OUTLET
--	---	---	---	---	---	---	---	------------	-----------	-------------

	7023 1020 - 145	1	174					COFFEE	9DCN621113	6DUL012
	2		118					CHOC	9DCN521113	6DUL009
	3			118				TOPPING	9DCN421113	5KPD042+5KPD039

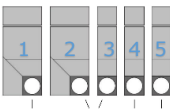


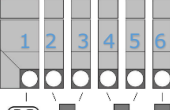
	7034 1201 - 1346	1	118					COFFEE	9DCN521113	6DUL012
	2		118					CHOC	9DCN521113	5KPD041+5KPD039
	3			118				TOPPING	9DCN421113	5KPD042+5KPD039
	4				58			SUGAR	9DCN101113	5KPD016+5KPD039

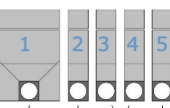


	7044 1111 - 1456	1	174					COFFEE	9DCN621113	6DUL012
	2		118					CHOC	9DCN521113	5KPD016+5KPD039
	3			58				TOPPING	9DCN121113	5KPD016+5KPD039
	4				58			I-COFFEE	9DCN101111	5KPD016+5KPD039



	7045 1211-13456	1	118					COFFEE	9DCN521113	6DUL012
	2		118					CHOC	9DCN521113	5KPD041+5KPD039
	3			58				TOPPING	9DCN121113	5KPD042+5KPD039
	4				58			SUGAR	9DCN101113	5KPD016+5KPD039
	5A							M-TOPPING	9DCN121113	5KPD016+5KPD039
	5B							I-TEA	9DCN101114	5KPD016+5KPD039
	5C					58		I-COFFEE	9DCN101111	5KPD016+5KPD039
5D							SOUP	9DCN121113	5KPD016+5KPD039	

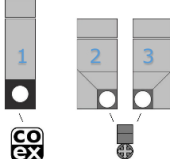
	7046 2211-245678	1	118					COFFEE	9DCN521113	6DUL012
	2		58					SUGAR	9DCN101113	6DUL017
	3			58				I-TEA	9DCN101114	5KPD016+5KPD039
	4				58			CHOC	9DCN121113	6DUL009
	5					58		TOPPING	9DCN121113	5KPD042+5KPD039
	6						58	SOUP	9DCN121113	5KPD016+5KPD039

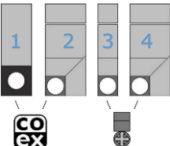
	7545 1121-13456	1	174					COFFEE	9DCN621123	6DUL012
	2		58					TEA	9DCN101111	5KPD041+5KPD039
	3			58				CHOC	9DCN121113	6DUL009
	4				58			TOPPING	9DCN121113	5KPD042+5KPD039
	5					58		I-COFFEE	9DCN101111	5KPD016+5KPD039

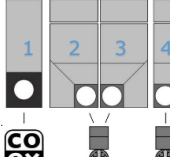
9cec-1-3

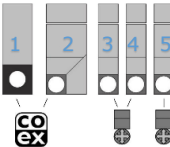
9CEC **VISIBLE BEAN CANISTER**

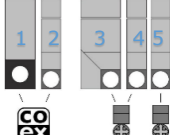
	#	1	2	3	4	6	7	INGREDIENT	ORD# CAN.	ORD# OUTLET
--	---	---	---	---	---	---	---	------------	-----------	-------------

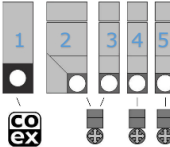
	9123	1020 - 45		1	BC			BEANS	9DCN088*	6DUL011***
	2		118					CHOC	9DCN521113	6DUL009
	3			118				TOPPING	9DCN421113	5KPD042+5KPD039

	9124	2020 - 245		1	BC			BEANS	9DCN088*	6DUL011***
	2		118					COFF / DECAF	9DCN421113	6DUL012
	3A	58						TOPPING	9DCN121113	6DUL009
	3B	58						CHOC	9DCN121113	6DUL009
	4A	118						TOPPING	9DCN421113	5KPD042+5KPD039
	4B	118						CHOC	9DCN421113	5KPD042+5KPD039

	9134	1201 - 346		1	BC			BEANS	9DCN088*	6DUL011***
	2		118					CHOC	9DCN521113	5KPD041+5KPD039
	3			118				TOPPING	9DCN421113	5KPD042+5KPD039
	4A	58						SUGAR	9DCN101113	6DUL016
	4B	58						I-COFFEE	9DCN101111	6DUL016

	9135	2021 - 2456		1	BC			BEANS	9DCN088*	6DUL011***
	2		118					COFFEE	9DCN421113	6DUL012
	3			58				CHOC	9DCN121113	6DUL009
	4				58			TOPPING	9DCN121113	5KPD042+5KPD039
	5A	58						SUGAR	9DCN101113	5KPD016+5KPD039
	5B	58						I-COFFEE	9DCN101111	5KPD016+5KPD039

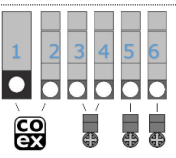
	9135	2021 - 2456		1	BC			BEANS	9DCN088*	6DUL011***
	2		58					COFFEE	9DCN121113	6DUL012
	3			118				CHOC	9DCN521113	6DUL009
	4				58			TOPPING	9DCN121113	5KPD042+5KPD039
	5					58		SUGAR	9DCN101113	5KPD016+5KPD039

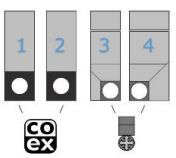
	9145	1211 - 3456		1	BC			BEANS	9DCN088*	6DUL011***
	2A		118					CHOC	9DCN521113	5KPD041+5KPD039
	2B		118					TOPPING	9DCN521113	5KPD041+5KPD039
	3A			58				TOPPING	9DCN121113	5KPD042+5KPD039
	3B			58				CHOC	9DCN121113	5KPD042+5KPD039
	4A				58			SUGAR	9DCN101113	5KPD016+5KPD039
	4B				58			I-TEA	9DCN101114	5KPD016+5KPD039
	5A					58		I-COFFEE	9DCN101111	5KPD016+5KPD039
5B					58		SUGAR	9DCN101113	5KPD016+5KPD039	

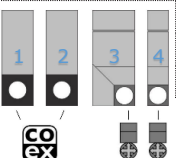
9cec-2-3

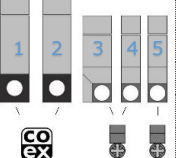
*) 9DCN088 also available with lock: 9DCN090 or with extension: 9DCN089 or extension with lock: 9DCN091
 ***) When the D-grinder is installed use the 5KBN028 (outlet) and the 5KBN029 (cap)

9CEC VISIBLE BEAN CANISTER - CONTINUED

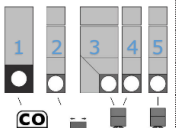
#	1	2	3	4	6	7	INGREDIENT	ORD# CAN.	ORD# OUTLET	
	1	BC					BEANS	9DCN088*	6DUL011***	
	2		58				COFF / DECAF	9DCN121113	6DUL012	
	3			58			CHOC	9DCN121113	5KPD041+5KPD039	
	4				58		TOPPING	9DCN121113	5KPD042+5KPD039	
	5					58	SUGAR	9DCN101113	5KPD016+5KPD039	
	6A							M-TOPPING	9DCN121113	5KPD016+5KPD039
	6B							I-COFFEE	9DCN101111	5KPD016+5KPD039
	6C						58	SOUP	9DCN121113	5KPD016+5KPD039
	6D							I-TEA	9DCN101114	5KPD016+5KPD039
	6E							FRENCH-VANILLA	9DCN121113	5KPD016+5KPD039

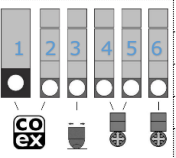
#	1	2	3	4	6	7	INGREDIENT	ORD# CAN.	ORD# OUTLET
	1	BC					BEANS1	9DCN088*	6DUL011***
	2		BC				BEANS2	9DCN088*	6DUL011***
	3A			58 **			CHOC	9DCN121113	6DUL009
	3B						TOPPING	9DCN121113	6DUL009
	3A			88 **			CHOC	9DCN321113	6DUL009
	3B						TOPPING	9DCN321113	6DUL009
	4A						TOPPING	9DCN421113	5KPD042+5KPD039
	4B				118		CHOC	9DCN421113	5KPD042+5KPD039

#	1	2	3	4	6	7	INGREDIENT	ORD# CAN.	ORD# OUTLET
	1	BC					BEANS1	9DCN088*	6DUL011***
	2		BC				BEANS2	9DCN088*	6DUL011***
	3			118			CHOC / TOP.	9DCN521113	5KPD016+5KPD039
	4				58		TOP. / CHOC	9DCN121113	5KPD016+5KPD039

#	1	2	3	4	6	7	INGREDIENT	ORD# CAN.	ORD# OUTLET
	1	BC					BEANS1	9DCN088*	6DUL011***
	2		BC				BEANS2	9DCN088*	6DUL011***
	3			58 **			CHOC	9DCN121113	6DUL009
	3			88 **			CHOC	9DCN321113	6DUL009
	4				58		TOPPING	9DCN121113	5KPD042+5KPD039
5					58	SUGAR	9DCN101113	5KPD016+5KPD039	





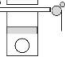
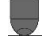

9CEC VISIBLE BEAN CANISTER AND TEA BREWER

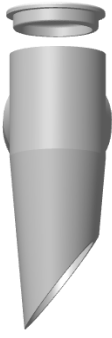
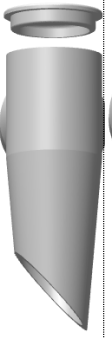


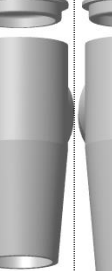
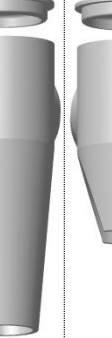
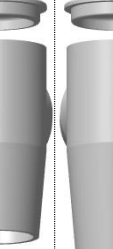
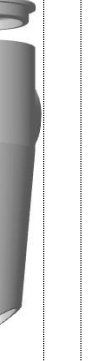

#	1	2	3	4	6	7	INGREDIENT	ORD# CAN.	ORD# OUTLET
	1	BC					BEANS	9DCN088*	6DUL011***
	2		58				TEA	9DCN101111	6DUL006
	3			118			CHOC	9DCN521113	6DUL009
	4				58		TOPPING	9DCN121113	5KPD042+5KPD039
	5					58	SUGAR	9DCN101113	5KPD016+5KPD039






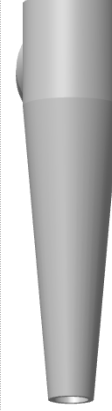
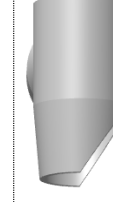
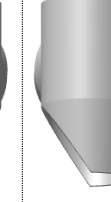

#	1	2	3	4	6	7	INGREDIENT	ORD# CAN.	ORD# OUTLET
	1	BC					BEANS	9DCN088*	6DUL011***
	2		58				DECAF /COFF	9DCN121113	6DUL012
	3			58			TEA	9DCN101111	5KPD041+5KPD039
	4				58		CHOC	9DCN121113	6DUL009
	5					58	TOPPING	9DCN121113	5KPD042+5KPD039
	6A							SUGAR	9DCN101113
6B						58	I-COFFEE	9DCN101111	5KPD016+5KPD039
6C							SOUP	9DCN121113	5KPD016+5KPD039

9cec-3-3 *) 9DCN088 also available with lock: 9DCN090 or with extension: 9DCN089 or extension with lock: 9DCN091
 **) 9224/9235 models: s/n>2021.35.XXXX.001 with D-grinders -> 3rd canister 88mm instead of 58mm.
 ***) When the D-grinder is installed use the 5KBN028 (outlet) and the 5KBN029 (cap)

LEGEND											
	#	1	2	3	4	6	7	8	INGR.	ORD# CAN.	ORD# OUTLET
CANISTERS CONFIGURATION		POSITION AND WIDTH OF CANISTER IN MACHINE							INGREDIENT FOR THIS CANISTER	ORDER NUMBER FOR THIS CANISTER	ORDER NUMBER FOR OUTLETS BASED ON POSITION OF CANISTER

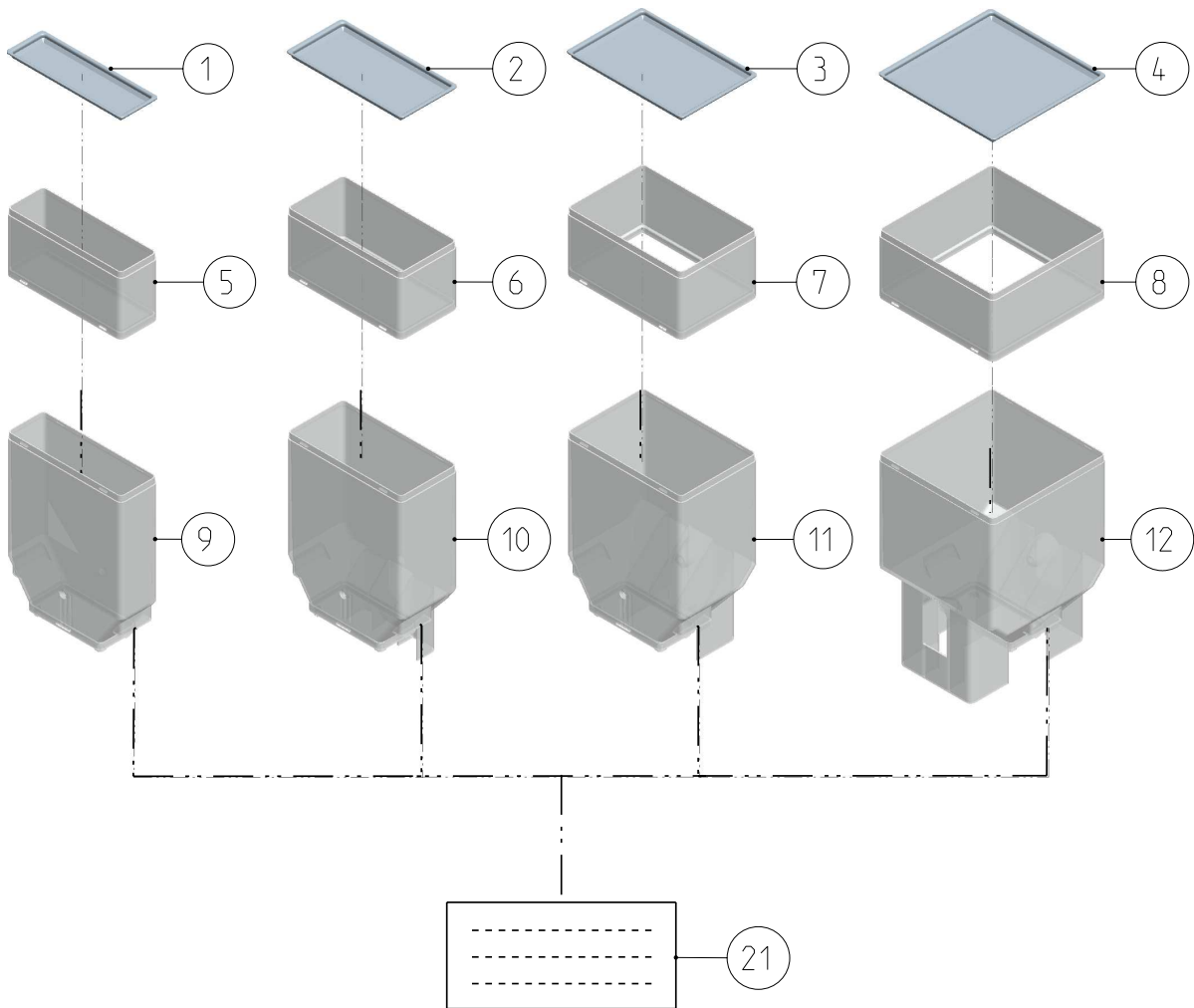
SYMBOLS		INGREDIENTS	
	BD = BEANS IN DOOR		COEX BREWER
	BC = BEAN CANISTER		COEX XL BREWER
			UNI-BREWER
			TEA BREWER
			MIXER
			BEANS = WHOLE BEANS
			COFFEE = GROUND COFFEE
			CHOC = CHOCOLATE
			TOP. = TOPPING
			DECAF = DECAFFEINATED COFFEE
			I-DECAF = INSTANT DECAFFEINATED COFFEE
			I-COFFEE = INSTANT COFFEE
			I-TEA = INSTANT TEA
			M-TOPPING = MILK TOPPING
			TEA = LEAF TEA

6DUL006 L=101	6DUL008 L=101	6DUL009 L=87	6DUL011 L=134	6DUL012 L=80	6DUL014 L=105	6DUL016 L=70	6DUL017 L=110	5KBN028+5KBN029 L=128
								
								D-grinder only

6DUL020 L=122	6DUL023 L=137	6DUL024 L=123	6DUL026 L=74	5KPD016 * L=63	5KPD017 * L=143	5KPD041 * L=63	5KPD042 * L=63	5KPD005 * L=n/a
								

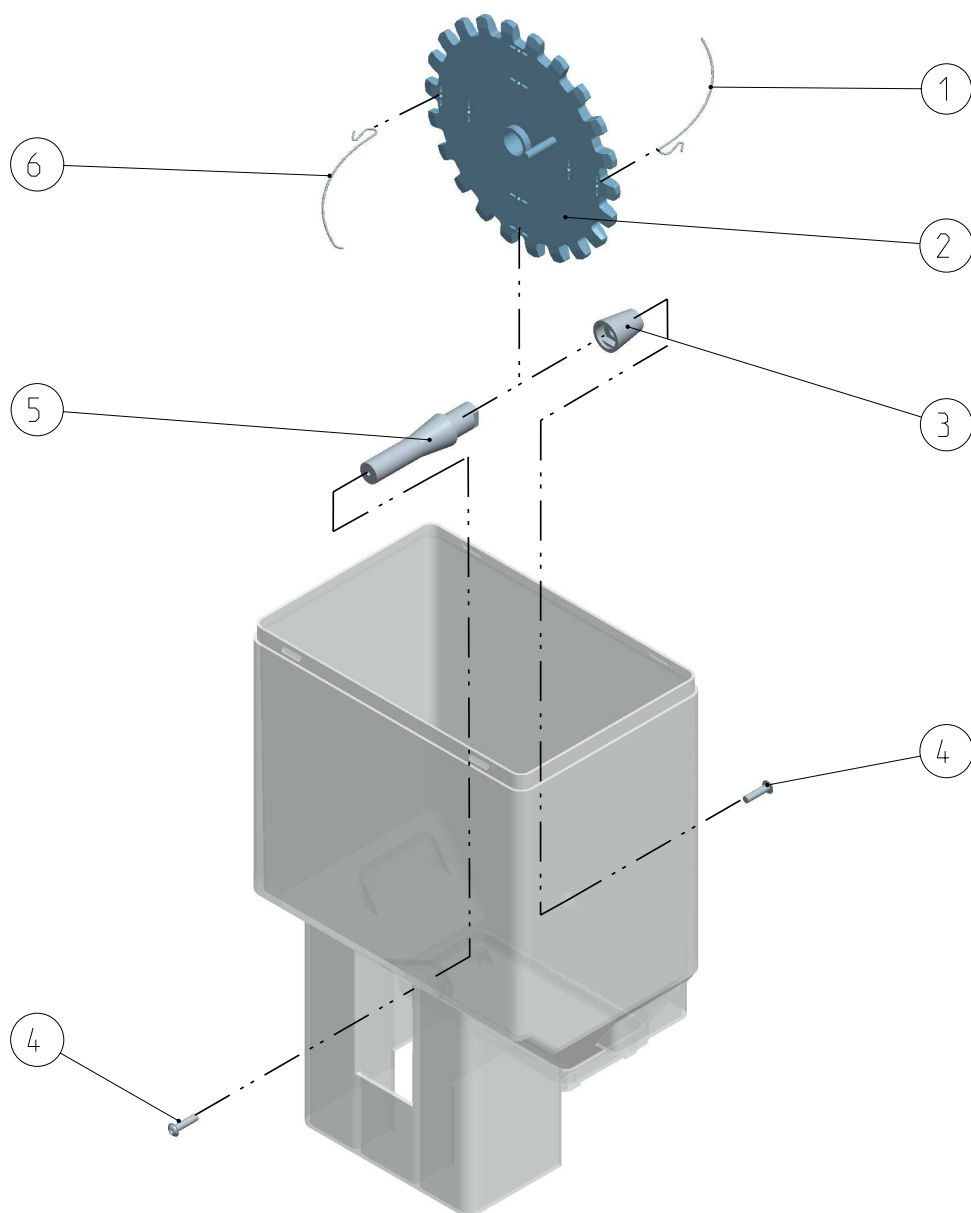
***) IMPORTANT:** When ordering canister outlets 5KPD* do not forget to order cap 5KPD039, outlets 6DUL* are delivered including the cap.

PAGE INTENTIONALLY LEFT BLANK



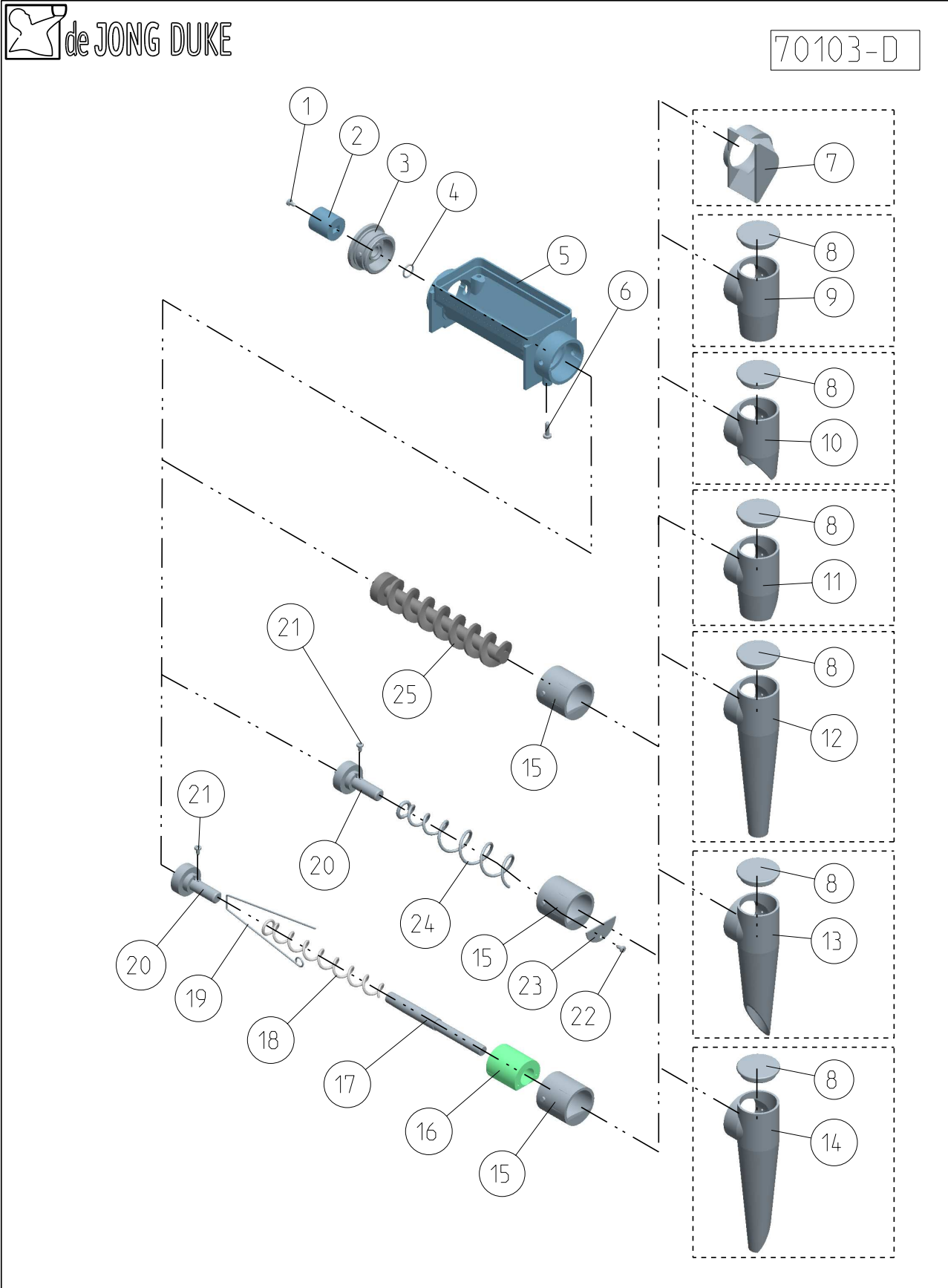
Drawing	Pos	S	Part Nr	Qty	Spare Part Description
70101-C	01		5KPD028		Lid B=58mm / 2 1/4"
70101-C	02		5KPD029		Lid B=88mm / 3 1/2"
70101-C	03		5KPD030		Lid B=118mm / 4 5/8"
70101-C	04		5KPD031		Lid B=174mm / 6 7/8"
70101-C	05		5KPD024		Extension piece B=58mm
70101-C	06		5KPD025		Extension piece B=88mm / 3 1/2"
70101-C	07		5KPD026		Extension piece B=118mm
70101-C	08		5KPD027		Extension piece B=174mm
70101-C	09		5KPD019		Canister body B=58mm / 2 1/4"
70101-C	10		5KPD020		Canister body B=88mm / 3 1/2"
70101-C	11		5KPD021		Canister body B=118mm / 4 5/8"
70101-C	12		5KPD022		Canister body B=174mm / 6 7/8"
70101-C	21		TP342		Sticker Coffee 1
70101-C	21		5TAG074		Sticker Coffee 2
70101-C	21		5TAG071		Sticker Instant Coffee
70101-C	21		TP344		Sticker Decaf
70101-C	21		TP347		Sticker Milk
70101-C	21		5TAG026		Sticker Topping
70101-C	21		TP349		Sticker Cappuccino
70101-C	21		TP348		Sticker Sugar
70101-C	21		5TAG072		Sticker French Vanille
70101-C	21		TP346		Sticker Tea
70101-C	21		TP343		Sticker Chocolate
70101-C	21		TP345		Sticker Soup 1
70101-C	21		5TAG075		Sticker Soup 2
70101-C	21	SW	5TAG068		All the stickers

- Part numbers marked with "SE" are Service parts Engineer stock
- Part numbers marked with "SW" are Service parts Warehouse stock
- Part numbers marked with "n/a" are Not Available as spare part
- De Jong Duke recommends to have service parts available on local (SW) or car stock.(SE)



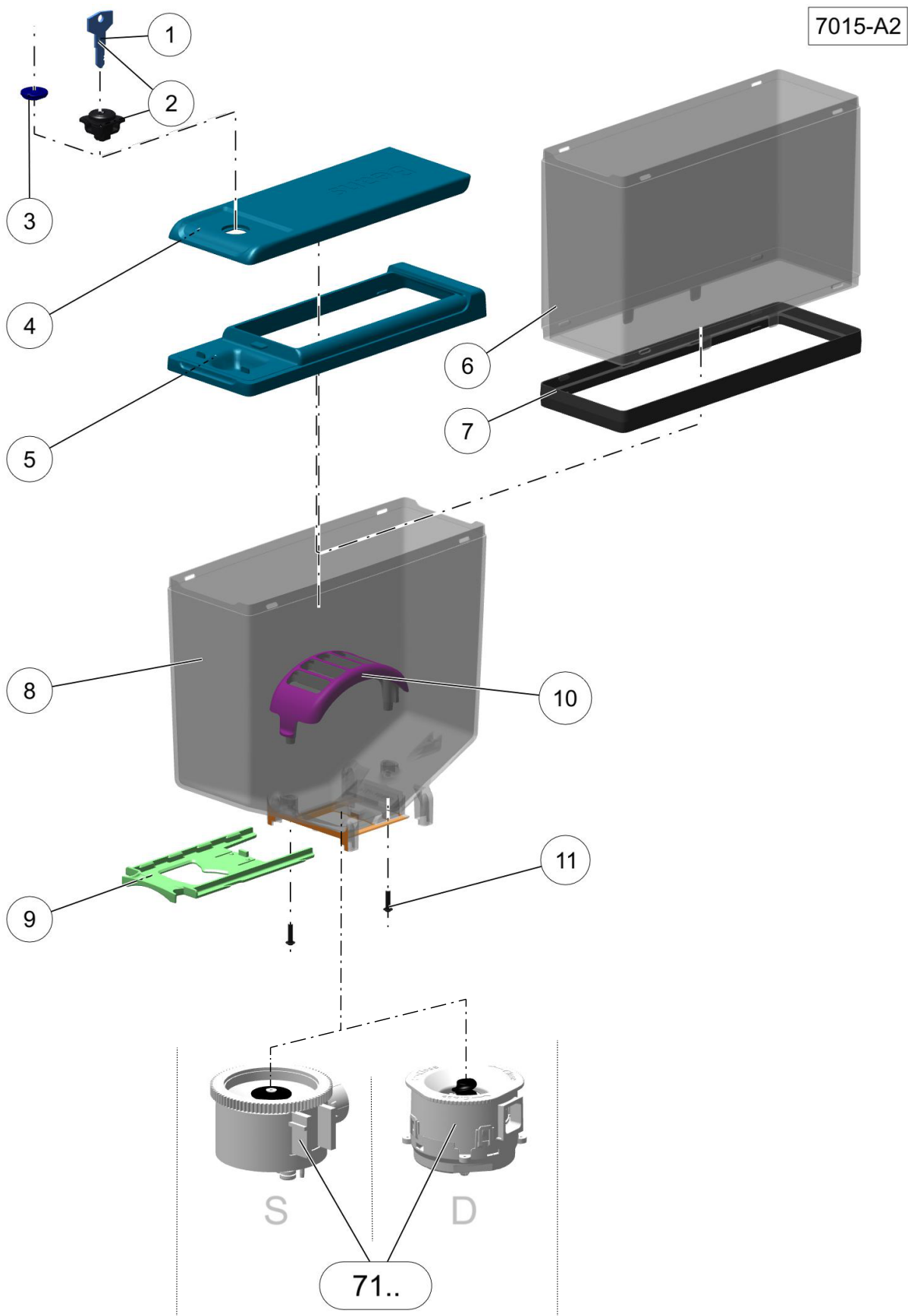
Drawing	Pos	S	Part Nr	Qty	Spare Part Description
70102-B		SW	9DCN085	1	Agitator set for canister 60,90,120 and 180mm with items 1, 2, 6 (4x 5MPD064 , 2x 5MPD065)
Canister 60mm					
70102-B	01		5MPD065	1	Spring container wheel short D=1 mm
70102-B	02		5KPD056	1	Agitator wheel
70102-B	03		5KPD048	1	Axis for auger wheel short
70102-B	04		4BSC013	2	Retaining screw 3.5x25
70102-B	05		5KPD049	1	Axis for auger wheel long
70102-B	06		5MPD065	1	Spring container wheel short D=1 mm
Canister 90mm					
70102-B	01		5MPD065	1	Spring container wheel short D=1 mm
70102-B	02		5KPD056	1	Agitator wheel
70102-B	03		5KPD048	1	Axis for auger wheel short
70102-B	04		4BSC013	2	Retaining screw 3.5x25
70102-B	05		5KPD050	1	Axis for auger wheel long
70102-B	06		5MPD064	2	Spring container wheel long D=1 mm
Canister 120mm					
70102-B	01		5MPD065	1	Spring container wheel short D=1 mm
70102-B	02		5KPD056	1	Agitator wheel
70102-B	03		5KPD048	1	Axis for auger wheel short
70102-B	04		4BSC013	2	Retaining screw 3.5x25
70102-B	05		5KPD050	1	Axis for auger wheel long
70102-B	06		5MPD064	2	Spring container wheel long D=1 mm
Canister 180mm					
70102-B	01		5MPD064	2	Spring container wheel long D=1 mm
70102-B	02		5KPD056	1	Agitator wheel
70102-B	03		5KPD047	1	Axis for auger wheel short
70102-B	04		4BSC013	1	Retaining screw 3.5x25
70102-B	04		4BSC031	1	Retaining screw 4x60
70102-B	05		5KPD050	1	Axis for auger wheel long
70102-B	06		5MPD064	2	Spring container wheel long D=1 mm

- Part numbers marked with "SE" are Service parts Engineer stock
- Part numbers marked with "SW" are Service parts Warehouse stock
- Part numbers marked with "n/a" are Not Available as spare part
- De Jong Duke recommends to have service parts available on local (SW) or car (SE) stock.



Drawing	Pos	S	Part Nr	Qty	Spare Part Description
70103-D	01		4BSC019		Screw 2.9x6.5
70103-D	02		5KPD009		Driver canister (female)
70103-D	03		5KLG002		Canister Bearing
70103-D	04		4ROR007		O-Ring 9.5x1.4
70103-D	05		5KPD055		Canister base
70103-D	06		4BSC003		Screw 9,5x13 <i>Not used anymore</i>
70103-D	07		5KPD005		Outlet canister nozzle side outlet
70103-D	08		5KPD039		Outlet canister nozzle cap
70103-D	09		5KPD016		Outlet canister nozzle short
70103-D	10		5KPD042		Outlet canister nozzle short right
70103-D	10		6DUL016		Outlet canister nozzle short right
70103-D	11		5KPD041		Outlet canister nozzle short left
70103-D	12		5KPD017		Outlet canister nozzle long
70103-D	12		6DUL011		Outlet grinder 9CND,9CEC
70103-D	12		6DUL026		Outlet canister 9CND
70103-D	12		6DUL012		Outlet canister pipe 9CND-K2/ 9CEC-K1/2
70103-D	12		6DUL020		Outlet grinder pipe left 9FND
70103-D	12		6DUL024		Outlet grinder door virtu 80 127mm
70103-D	13		6DUL008		Dispensing nozzle long, mixer right 9FEC,9IEA
70103-D	14		6DUL009		Outlet canister for mixer left 9FND,9CEC
70103-D	14		6DUL006		Outlet canister (long) side outlet <i>left mixer 9FEC, tea 9CEC</i>
70103-D	15		5KPD044		Hopper outlet tube Short
70103-D	16		5KPD038		Insert for outlet
70103-D	17		5MPD067		Axis stainless steel for instant Tea <i>Not used anymore</i>
70103-D	18		5MPD086		Metal auger Short Ø12mm for instant Tea
70103-D	18		5MPD045		Metal auger Short Ø14.5mm for instant Coffee / Milk / Tea
70103-D	19		5MPD048		Metal spring auger Short for instant Milk
70103-D	20		5KPD036		Metal auger drive
70103-D	21		4BSC001		Sheet metal screw 2.9x6.5
70103-D	22		4BSC001		Sheet metal screw 2.9x6.5
70103-D	23		5MPD099		Shield plate for powder Topping / Choco
70103-D	24		5MPD100		Metal auger Ø23mm for powder Topping / Choco
70103-D	25		5KPD010		Auger Plastic Short Ø23mm for powder Topping / Choco / Sugar / Soup / Milk)

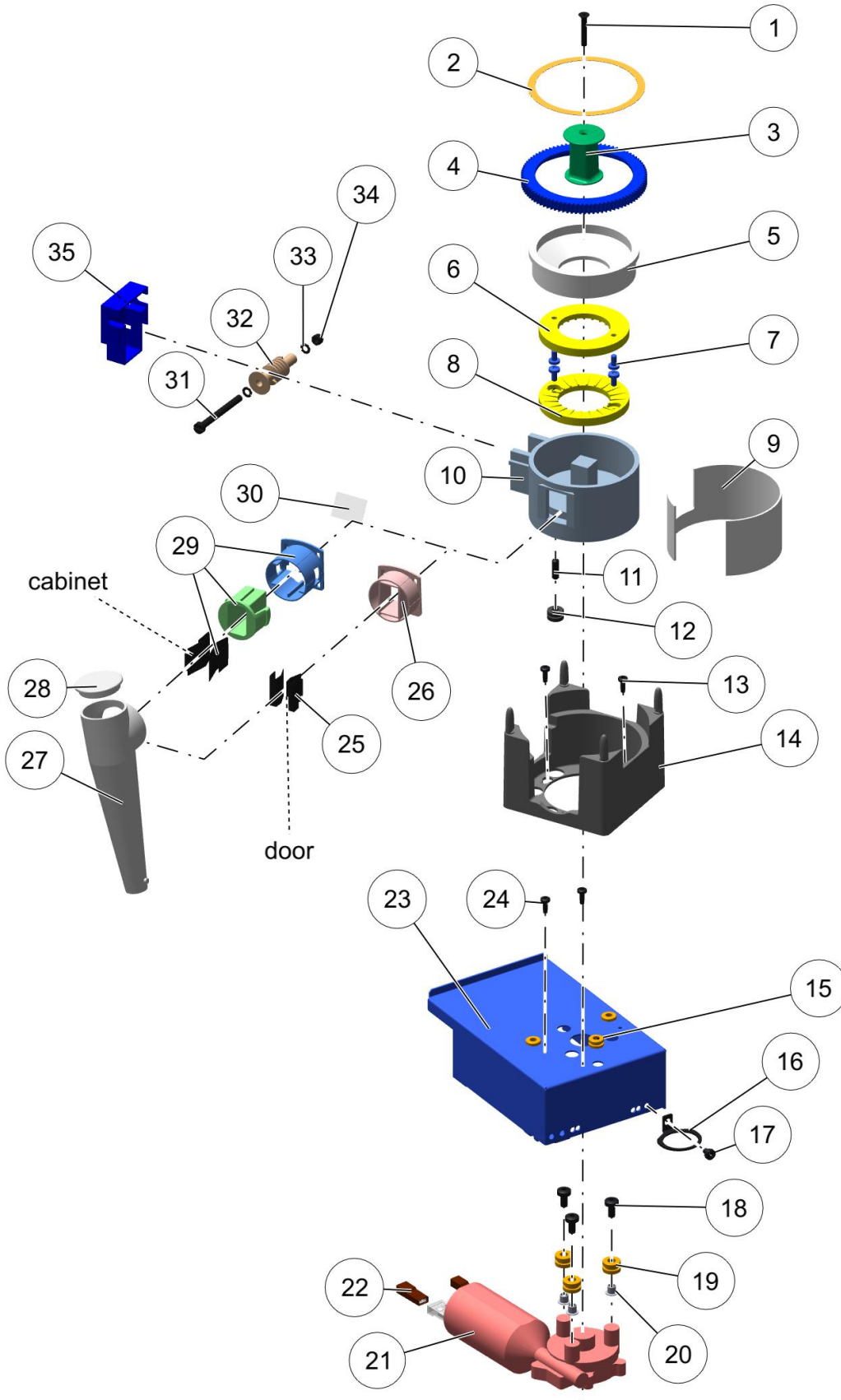
- Part numbers marked with "SE" are Service parts Engineer stock
- Part numbers marked with "SW" are Service parts Warehouse stock
- Part numbers marked with "n/a" are Not Available as spare part
- De Jong Duke recommends to have service parts available on local (SW) or car (SE) stock.



<i>Drawing</i>	<i>Pos</i>	<i>S</i>	<i>Part Nr</i>	<i>Qty</i>	<i>Spare Part Description</i>
					REFERENCES
71..					Refer to drawing : - 7102 S-Grinder - 7103 D-Grinder
					SETS
7015-A		SW	9DCN088	1	Complete canister with items 3, 4, 5, 8, 9, 10, 11
7015-A		SW	9DCN090	1	Complete canister with lock with items 1, 2, 4, 5, 8, 9, 10, 11
7015-A		SW	9DCN089	1	Complete canister with enlargement with items 3, 4, 5, 6, 7, 8, 9, 10, 11
7015-A		SW	9DCN091	1	Complete canister with enlargement and lock with items 1, 2, 4, 5, 6, 7, 8, 9, 10, 11
			9DCN092	1	Enlargement + fitting with items 6 and 7
					PARTS
7015-A	01	SW	4MHS031		Key for lock 4MHS030
7015-A	02	SW	4MHS030	1	Lock with key
7015-A	03		5RDK004	1	Stop for lid
7015-A	04		5KBN011	1	Lid
7015-A	05		5KBN010	1	Lid base
7015-A	06		5KBN013	1	Enlargement
7015-A	07		5KBN012	1	Enlargement fitting
7015-A	08		5KBN009	1	Canister base
7015-A	09		5KBN002	1	Canister locking slider
7015-A	10		5KBN034	1	Grinder shielding <i>Note: part will only fit in canisters in machines, produced from s/n:2020.42.5969.001</i>
7015-A	11		4BSC036	2	Screw torx 3.5x13.5
					HISTORY
7015-A	08		5KBN009	1	Canister base <i>Replaced by 5KBN009 Canister base with grinder shielding from s/n: 2020.42.5969.001</i>

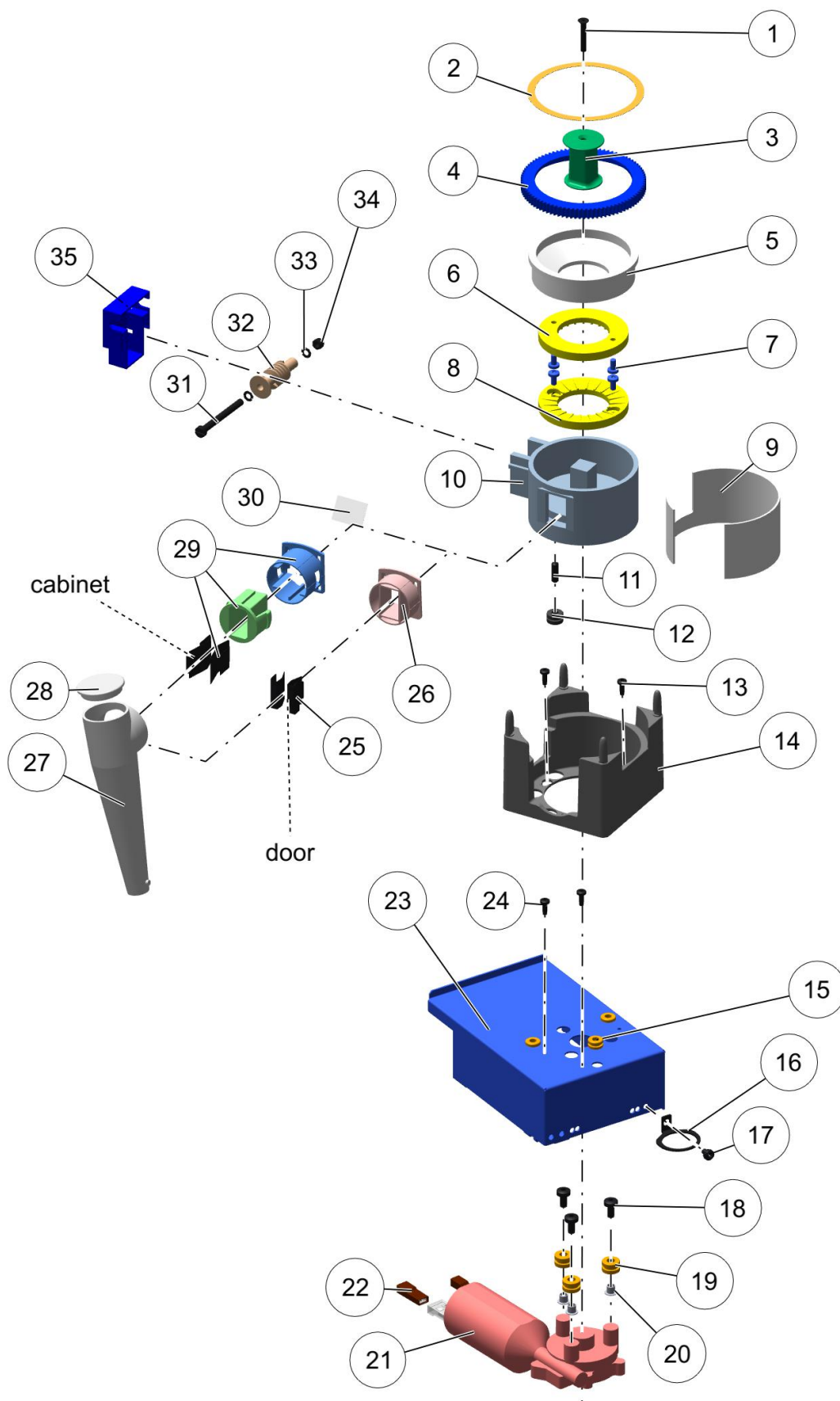
- Part numbers marked with "SE" are Service parts Engineer stock
- Part numbers marked with "SW" are Service parts Warehouse stock
- Part numbers marked with "n/a" are Not Available as spare part
- De Jong Duke recommends to have service parts available on local (SW) or car stock (SE).

7102-F1



Drawing	Pos	S	Part Nr	Qty	Spare Part Description
					SETS
7102-F1		SW	9GES111		Grinder Assembly complete with motor and grinder discs <i>with items 4-8, 10,11, 18-21 and 31-35</i>
7102-F1		SW	9GES113		Grinder Assembly complete (9GES111) but without motor (21) <i>with items 4-8, 10,11 and 31-35</i>
7102-F1		SW	5MBK094		Set of 2 grinder discs and 6 screws <i>with items 6, 7, 8</i>
					PARTS
7102-F1	01		4BBV050	1	Screw M4x20 RVS
7102-F1	02		5TAD036	1	Sticker grinding degree (S)
7102-F1	03		5KBN018	1	Grinder finger guard
7102-F1	04	SW	5MBK071	1	Grinder adjustment parts <i>with items 4, 32 and 35</i>
7102-F1	05		n/a		<i>order assembly for your model, see above</i>
7102-F1	06		n/a		Upper grinding disc fixed <i>Upper disc is 38mm inner diameter, not available separately, order 5MKB094, see above.</i>
7102-F1	07		n/a		<i>order 5MKB094, see above</i>
7102-F1	08		n/a		Lower grinding disc rotating <i>Lower disc is 35mm inner diameter, not available separately, order 5MKB094, see above.</i>
7102-F1	09		5RVA024	1	Soundproofing grinder
7102-F1	10		n/a		<i>order set for your model, see above</i>
7102-F1	11		4BBY016	1	Set screw M5x16
7102-F1	12		4RDT013	3	Cable grommet 11x6 (CND / CEC)
7102-F1	13		4BSC022	2	Cutting screw 3.5x9.5
7102-F1	14		5KBN001	1	Grinder base part plastic
7102-F1	15		4RDT013	1	Cable grommet 11x6
7102-F1	16		5MPD115	1	Guide outlet pipe (for 9FND/9FEC/9CEC)
7102-F1	16		5MPD116	1	Guide outlet pipe (for 9CND <2015)
7102-F1	16		5MPD118	1	Guide outlet pipe (for 9CND >2015)
7102-F1	17		4BBK039	1	M4x6 Bolt BCK Tx
7102-F1	18		4BBK035	3	Bolt M5x14
7102-F1	19		4RDT012	3	Cable grommet 6x13 white hole (CND / CEC)
7102-F1	20		4BAF033	3	Hollow rivet
7102-F1	21	SW	5MBK072	1	Grinder motor <i>or order Grinder Assembly, see SETS above</i>
7102-F1	22	SW	6CKB448	1	Wire harness
7102-F1	23		5MPD111 -RAL	1	Grinder box
7102-F1	24		4BSC022	4	Cutting screw 3.5x9.5

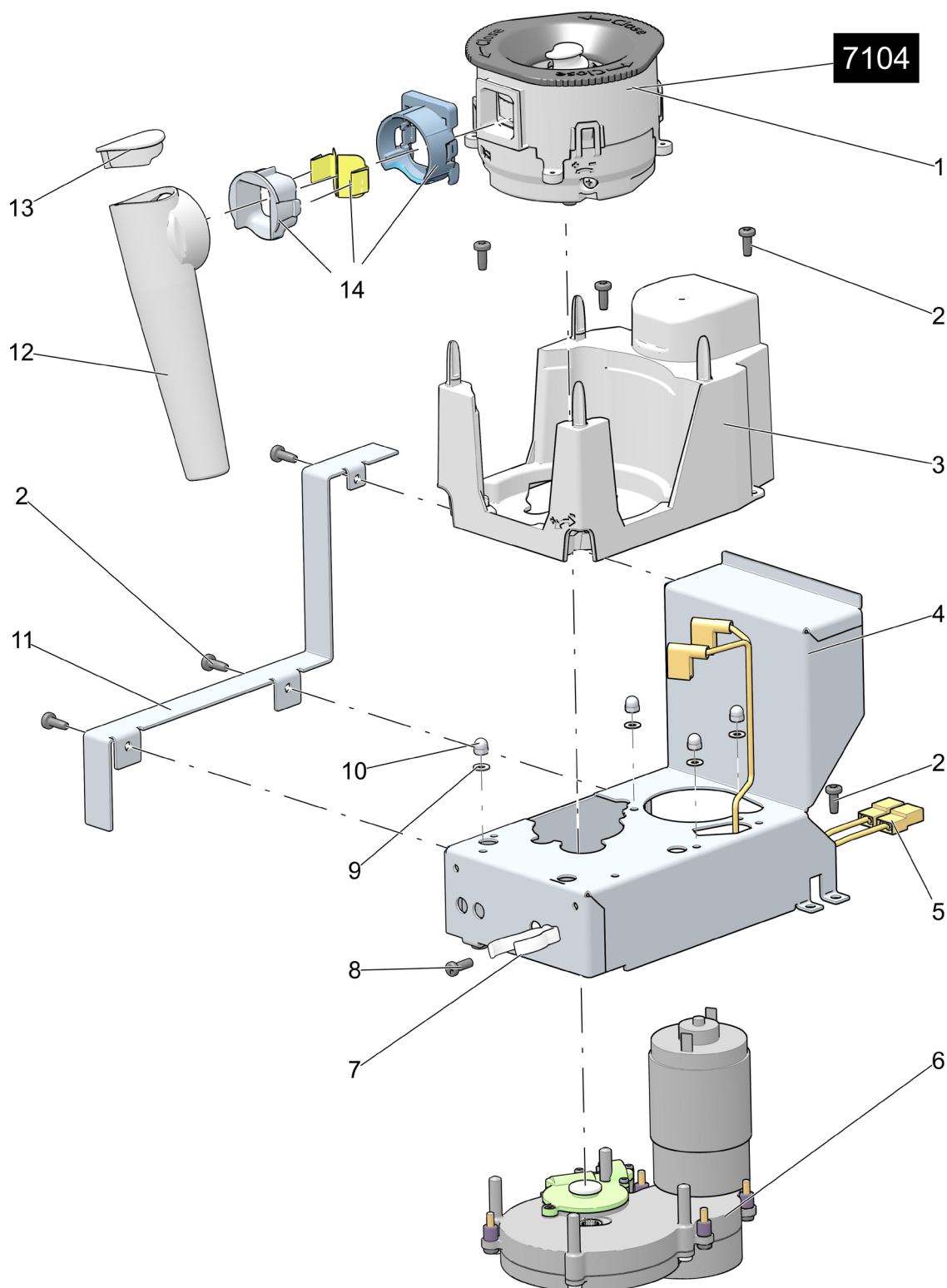
7102-F1



Drawing	Pos	S	Part Nr	Qty	Spare Part Description
7102-F1	25	SW	5MVR047	2	Spring clip outlet pipe 14mm <i>for grinder door</i>
7102-F1	26	SW	5KPD096	1	Outlet pipe 14 mm <i>for grinder door</i>
7102-F1	27		6DUL* 5KPD*	1	Grinder outlet <i>Check Canister overview (drawing 7010) for outlet part number</i>
7102-F1	28		5KPD039	1	Doser cap
7102-F1	29	SW	9DCN093	1	Grinder outlet assembly <i>complete with pipe inner and outer part + 2 spring clips Used for cabinet grinders all models</i>
7102-F1	30		5TAG210	1	Sticker grinder mark - Coffee 1
7102-F1	30		5TAG211	1	Sticker grinder mark - Coffee 2
7102-F1	31	SW	4BBK042	1	Bolt M4x50
7102-F1	32	SW	5MBK071		Grinder adjustment parts <i>with items 4, 32 and 35</i>
7102-F1	33		4BVR002	1	Star washer M4
7102-F1	34		4BMZ011	1	Nut Lock M4
7102-F1	35	SW	5MBK071	1	Grinder adjustment parts <i>with items 4, 32 and 35</i>
HISTORY					
7102-F1	25	SW	5MVR038	2	Spring clip grinder outlet pipe 14 mm. <i>Replaced by 5MVR0047 from S/N 2018.05.xxx.001</i>
7102-F1	25	SW	5MVR037	2	Spring clip grinder outlet pipe 22.5mm <i>(baseplate) Replaced in production by 9DCN093 (pos 18) from S/N 2018.16.xxx.001</i>
7102-F1	26	SW	5KPD059	1	Grinder (baseplate) outlet pipe 22.5 mm <i>Replaced in production by 9DCN093 (pos 18) from S/N 2018.16.xxx.001</i>
7102-F1	01		4BBV048	1	Screw M4x20 <i>Replaced by 4BBV050</i>

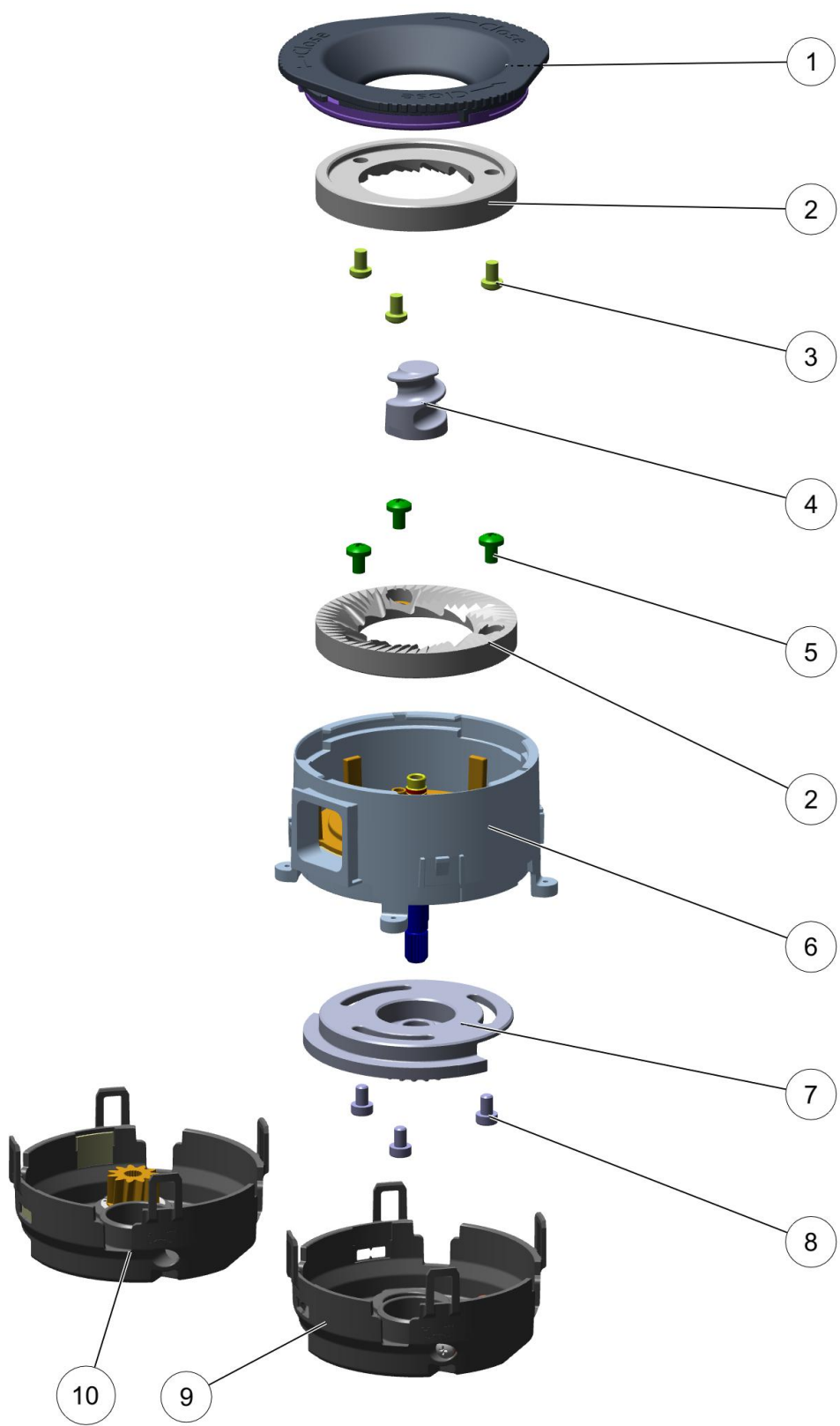
- Part numbers marked with "SE" are Service parts Engineer stock
- Part numbers marked with "SW" are Service parts Warehouse stock
- Part numbers marked with "n/a" are Not Available as spare part
- De Jong Duke recommends to have service parts available locally (SW) or as car stock (SE).

7103-A



Drawing	Pos	S	Part Nr	Qty	Spare Part Description
					REFERENCES
7104					Refer to drawing: 7104 D-grinder
					SETS
7103-A		SW	9GES120		Set of 2 D-Grinder discs <i>no screws included</i>
7103-A			6KGR007		D-Grinder with motor - manual adjustment <i>with item 01 and 06</i>
7103-A			9GES121		D-Grinder complete with motor and frame - manual adjustment <i>with items 01 - 14 except 11</i>
					PARTS
7103-A	01		9GES038	1	D-Grinder only - manual adjustment <i>with item 14</i>
7103-A	02		4BSC022	7	Screw 3,5x9,5
7103-A	03		5KBN027	1	D-Grinder base
7103-A	04		5MBN006	1	D-Grinder frame <i>(XNA/CND/T0 - XEA/CEC/T1 only)</i>
7103-A	05		6CKB533	1	D-Grinder cable
7103-A	06		n/a	1	D-Grinder gear box <i>only available as set, see above</i>
7103-A	07		5KBN033	1	Outlet guide <i>(XNA/CND/T0 - XEA/CEC/T1 only)</i>
7103-A	08		4BSC055	1	Screw 3.5x10 (stainless steel)
7103-A	09		4BPR004	3	Washer M3
7103-A	10		4BMZ051	3	Acorn nut M3
7103-A	11		5MBN007	1	D-Grinder filler plate <i>(XNA/CND/T0 - XEA/CEC/T1 only)</i>
7103-A	12		5KBN028	1	Outlet
7103-A	13		5KBN029	1	Outlet cap
7103-A	14		9DCN097	1	D-Grinder outlet adapter set complete
					HISTORY
7103-A	01		6KGR009	1	D-Grinder only - manual adjustment

7104-A

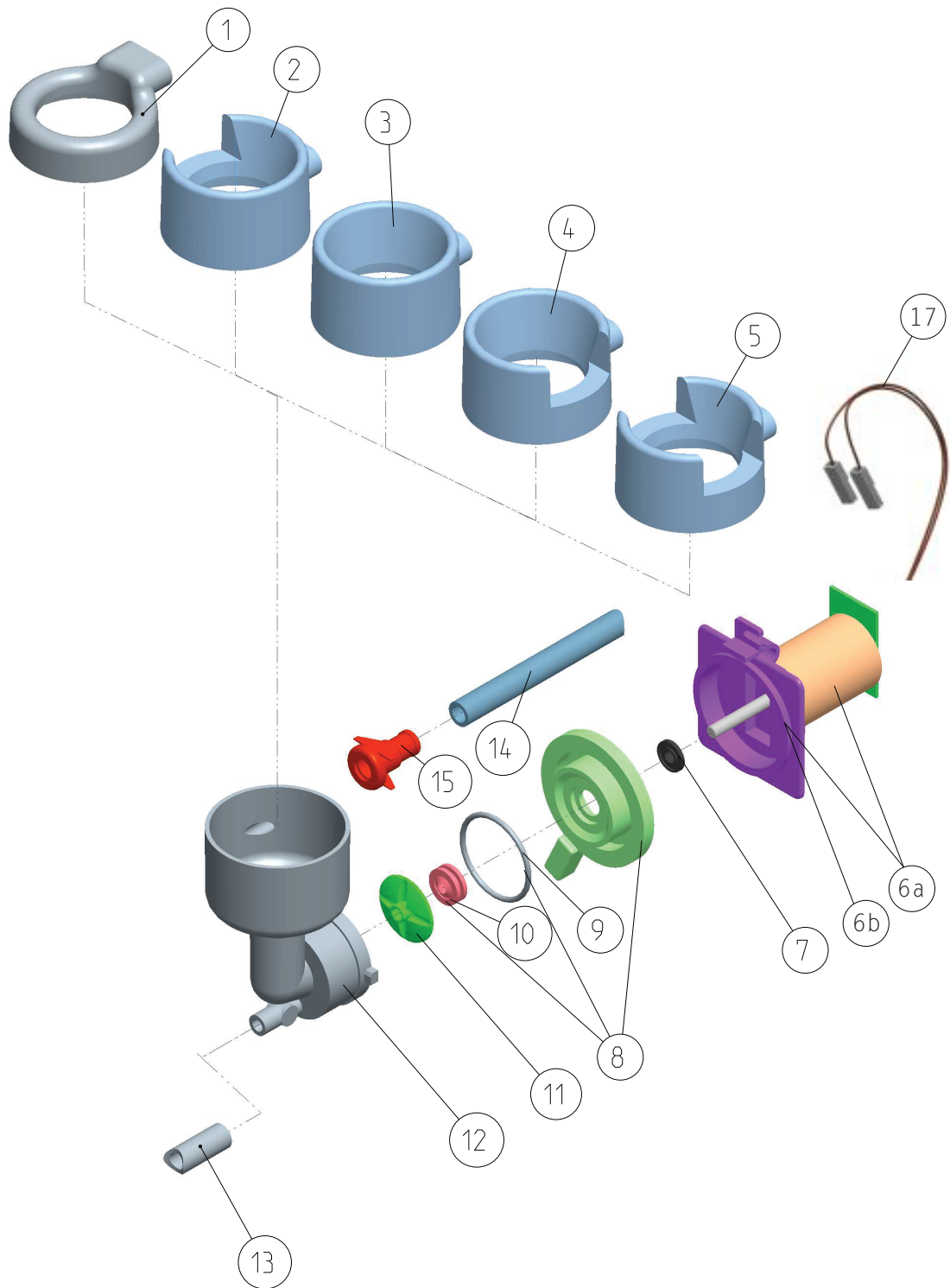


<i>Drawing</i>	<i>Pos</i>	<i>S</i>	<i>Part Nr</i>	<i>Qty</i>	<i>Spare Part Description</i>
					SETS
7104-A		SW	6KGR007		D-Grinder with motor, no frame, manual adjustment version <i>(see drawing 7103)</i>
7104-A		SW	9GES038		D-Grinder only - manual adjustment version <i>with items 1-10</i>
7104-A		SW	9GES120		Set of 2 grinder discs <i>no screws included</i>
					PARTS
7104-A	01		n/a	1	Grinder Bayonet cover
7104-A	02		n/a	2	D-grinder disc - see set above
7104-A	03		n/a	3	Screws upper disc
7104-A	04		n/a	1	Auger
7104-A	05		n/a	3	Screws lower disc
7104-A	06		n/a	1	Grinder house
7104-A	07		n/a	1	Adjustment wheel
7104-A	08		n/a	3	Screws adjustment wheel
7104-A	09		n/a	1	Grinder Adjustment cover - manual version
7104-A	10		n/a	1	Grinder Adjustment cover - electric version
HISTORY					
7104-A		SW	6KGR009		D-Grinder only - manual adjustment version <i>with items 1-10</i>

- Part numbers marked with "SE" are Service parts Engineer stock
- Part numbers marked with "SW" are Service parts Warehouse stock
- Part numbers marked with "n/a" are Not Available as spare part
- De Jong Duke recommends to have service parts available locally (SW) or as car stock (SE).

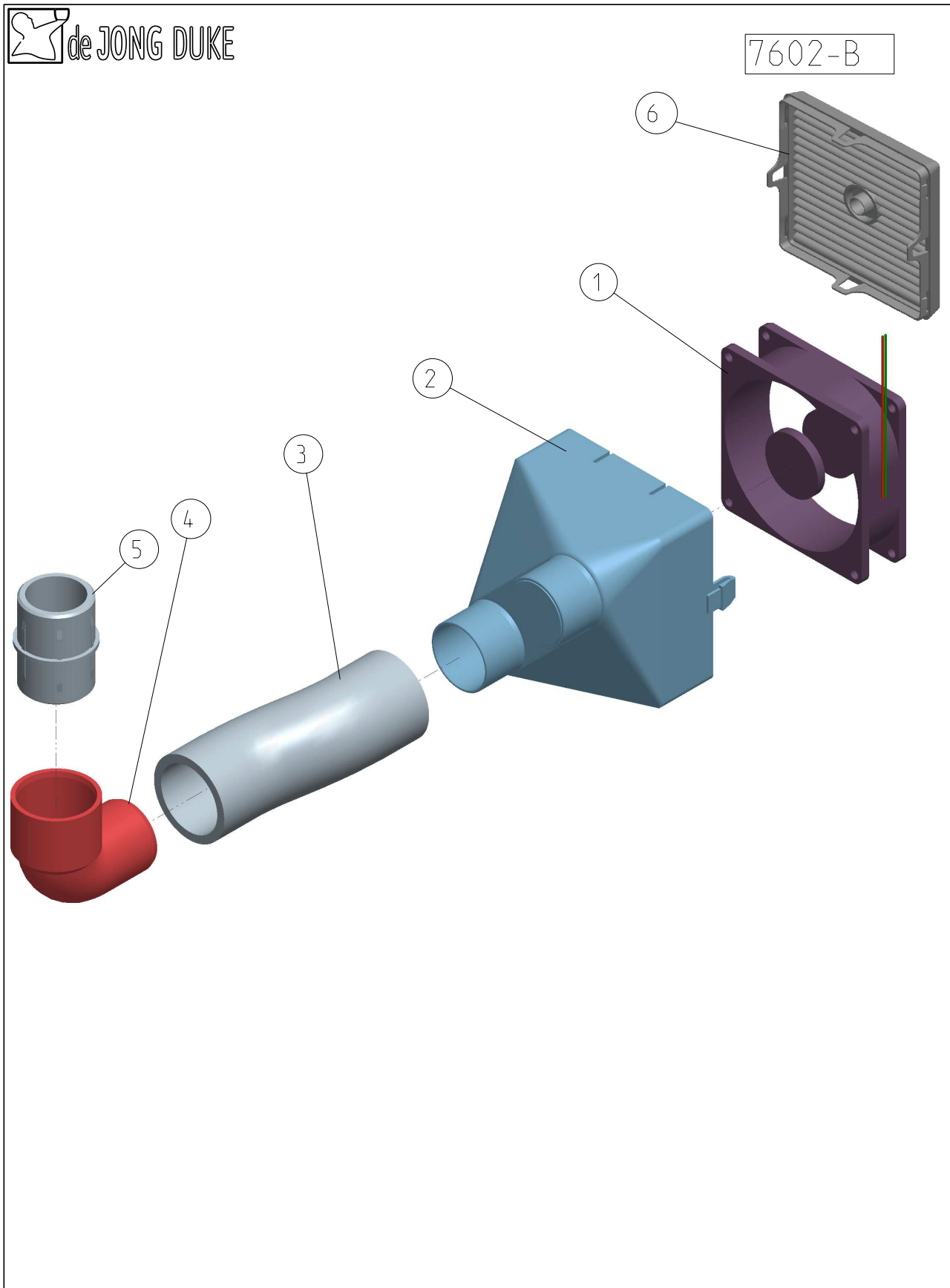
 de JONG DUKE

7503-D



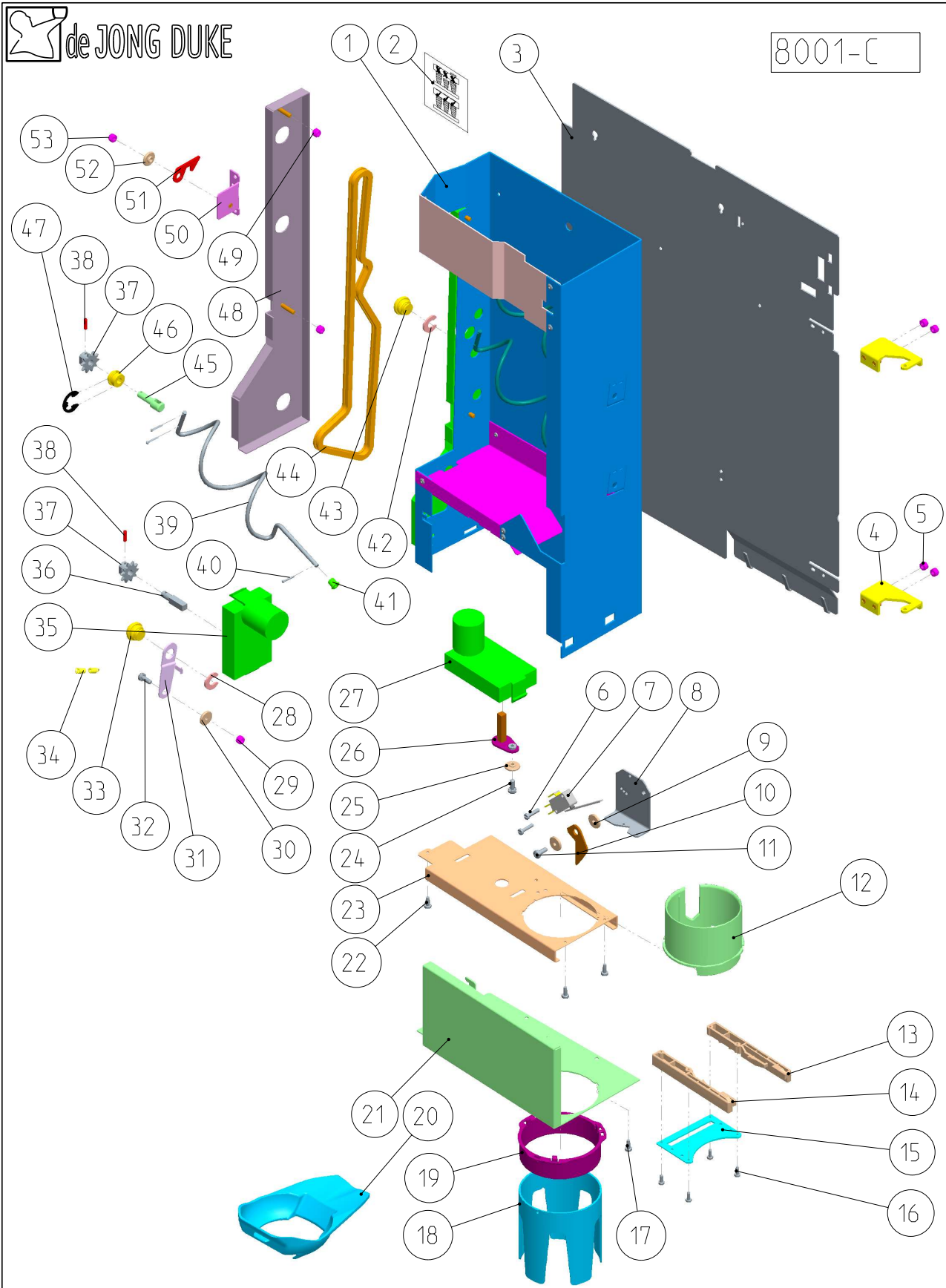
Drawing	Pos	S	Part Nr	Qty	Spare Part Description
7503-D	01	SW	4KMX028	1	Mixer suction trap - steam ring (low model)
7503-D	02	SW	4KMX017	1	Mixer suction trap - vapour (left-side open)
7503-D	03	SW	4KMX015	4	Mixer suction trap - steam
7503-D	04	SW	4KMX016	1	Mixer suction trap - vapour (right-side open)
7503-D	05	SW	4KMX018	1	Mixer suction trap - vapour (left+right side open)
7503-D	6a	SE	4EMT024	4	Mixer motor 24v dc <i>including base plate 4KMX030 (pos 06b)</i>
7503-D	6b	SE	4KMX030	4	Base plate for Mixer motor
7503-D	07	SW	4KMX006	4	Slinger disc whipper base plate
7503-D	08	SW	4KMX026	4	Mixer bayonet catch
7503-D	09	SE	4ROR016	4	O-ring mixer plate
7503-D	10	SE	4RVA002	4	Seal whipper base plate
7503-D	11		4KMX019	4	Mixer propeller (old version)
7503-D	11	SW	4KMX027	4	Mixer propeller (integral)
7503-D	12	SW	4KMX025	4	Mixer house grey
7503-D	12	SW	4KMX031	2	Mixer house black (for mixer at pressure boiler)
7503-D	13	SE	4XSL003	1	Tube 8x12 grey
7503-D	14	SE	4XSL003	1	Tube 8x12 grey (when used with open boiler)
7503-D	14	SE	4XSL001	1	Tube 4x8 grey
7503-D	15	SE	4KDT004	4	Adapter for mixer house (not for 9CND/9XNA) <i>Replaced by 4KDT008 from S/N 2013.42.xxxx.001 for 9CND</i>
7503-D	15	SE	4KDT008	4	Adapter for mixer house (9CND/9XNA only)
7503-D	16				n/a
7503-D	17	SW	6CKB310	1	Wire harness with poly switch (safety)
7503-D	17	SW	6CKB208	1	Cable to main wire harness 2 mixers

- Part numbers marked with "SE" are Service parts Engineer stock
- Part numbers marked with "SW" are Service parts Warehouse stock
- Part numbers marked with "n/a" are Not Available as spare part
- De Jong Duke recommends to have service parts available on local (SW) or car (SE) stock.

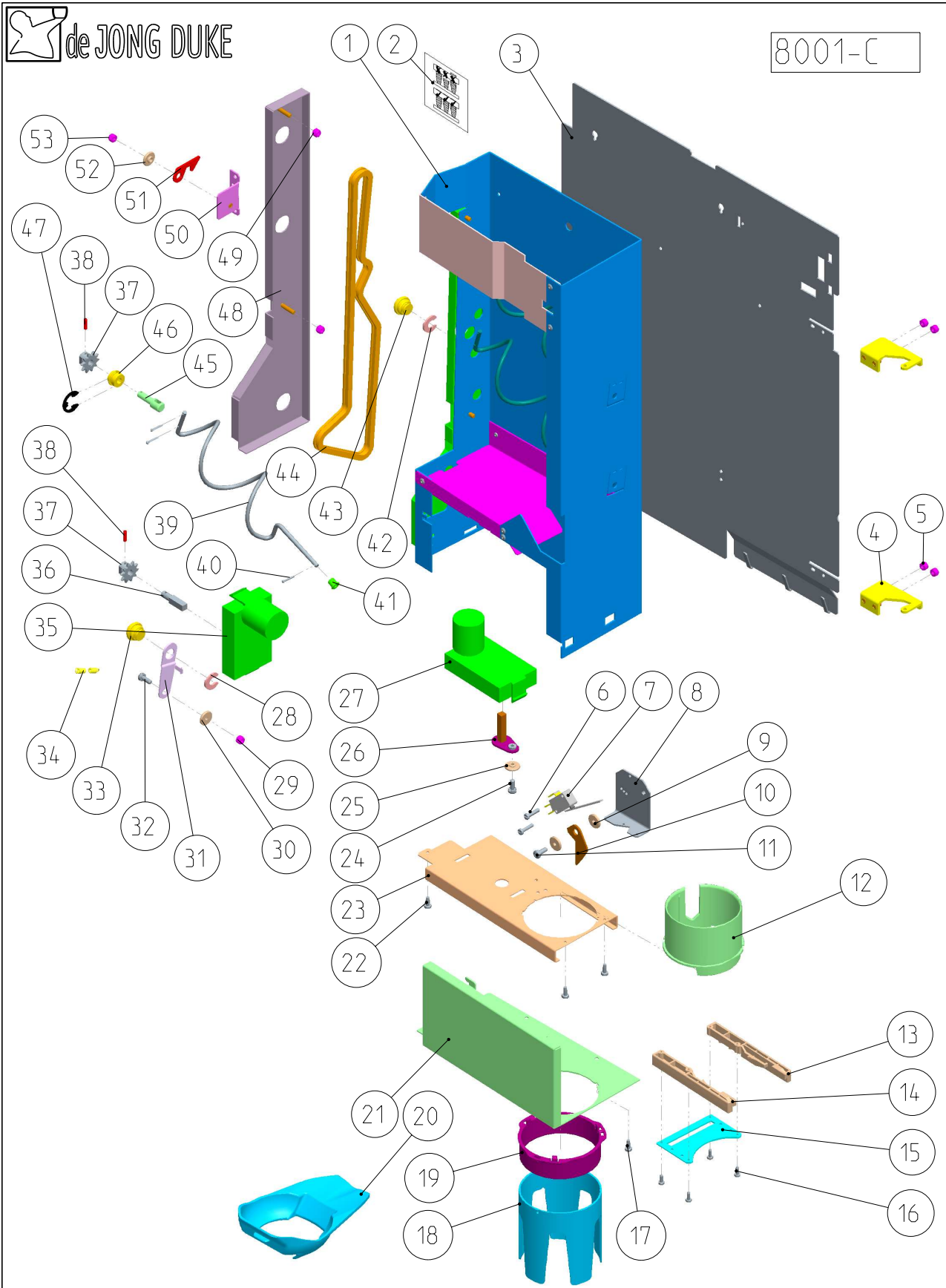


<i>Drawing</i>	<i>Pos</i>	<i>S</i>	<i>Part Nr</i>	<i>Qty</i>	<i>Spare Part Description</i>
PARTS					
7602-B	01	SW	4EVT004	1	Fan motor
7602-B	02		5KAF115	1	Fan housing
7602-B	02		5KAF053	1	Fan housing <i>Used in INB / FND</i>
7602-B	03		4XSL030	1	Hose black 32mm
7602-B	04		4KPF004	1	Knee plug
7602-B	05		5KPF002	1	Straight plug
7602-B	06		5KAF116	1	Protective Fan Grid (CND / IEA / CEC / XNA / XEA)
HISTORY					

- Part numbers marked with "SE" are Service parts Engineer stock
- Part numbers marked with "SW" are Service parts Warehouse stock
- Part numbers marked with "n/a" are Not Available as spare part
- De Jong Duke recommends to have service parts available on local (SW) or car (SE) stock.

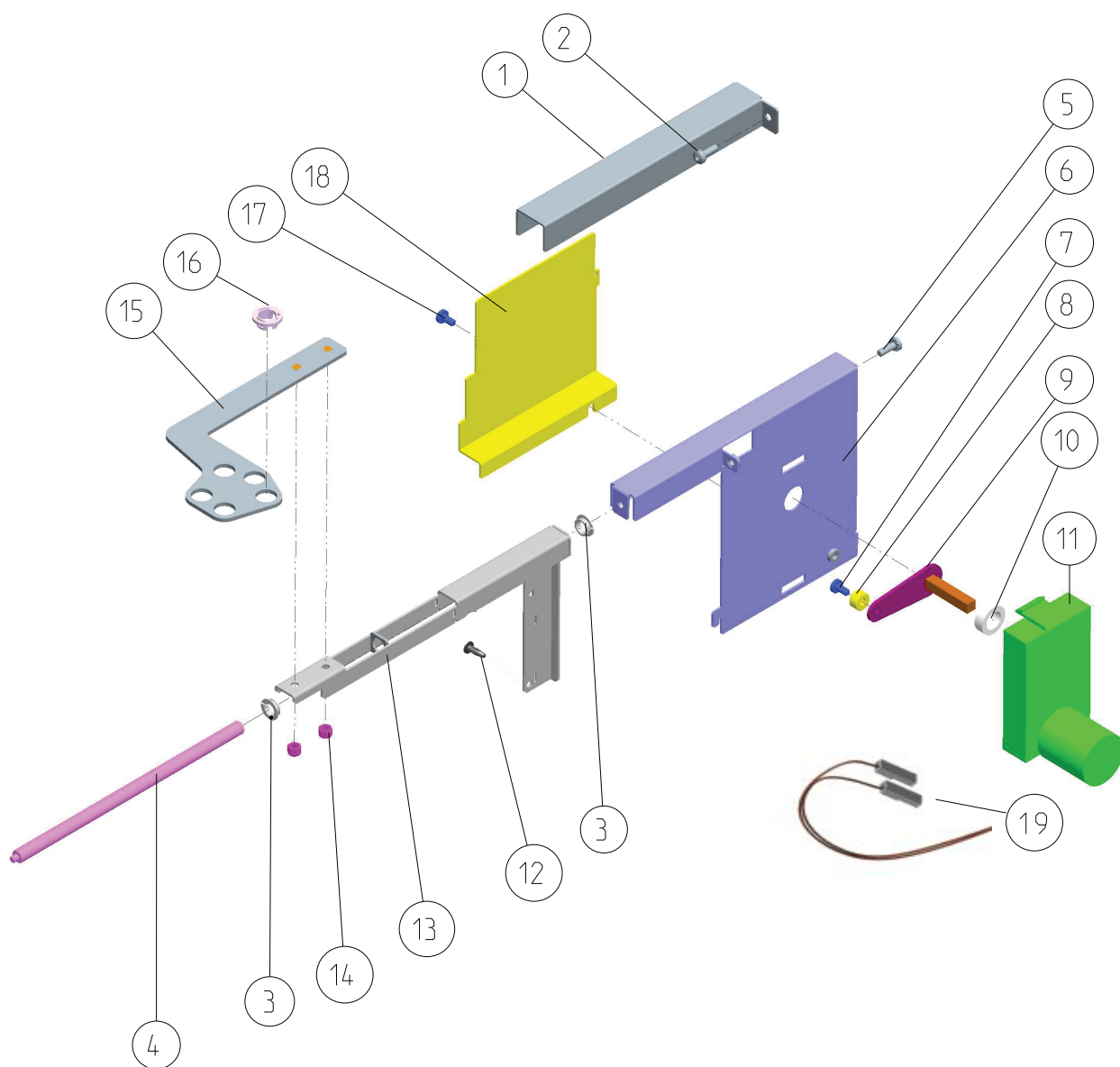


Drawing	Pos	S	Part Nr	Qty	Spare Part Description
8001-C		SW	6BMB030		Cup mechanism assembly 70mm cups <i>for MoVeC ICEQ</i>
8001-C		SW	6BMB031		Cup mechanism assembly 73mm cups <i>for MoVeC ICEQ</i>
8001-C		SW	9BMB016		Protection plate with cup guide <i>with items 18, 19, 21</i>
8001-C	01		6BMB027-KTL	1	Housing
8001-C	02		5TAB071	1	Sticker
8001-C	03		5MDR419-KTL	1	Main plate (Virtu / Zia)
8001-C	04		5MHS017-KTL	2	Hinge
8001-C	05		4BMZ011	4	Nut Lock M4
8001-C	06		4BBC007	2	Bolt M3x16
8001-C	07	SW	4ESK023	1	Micro switch
8001-C	08		5MBK059	1	Plate cup-micro switch
8001-C	09		5MLG002	1	Bearing
8001-C	10		5MBK060	1	Leveler micro switch
8001-C	11	SE	4BBK032	1	Bolt M4x10
8001-C	12		5KBK042	1	Cup ring (70mm cups)
8001-C	12		5KBK048	1	Cup ring (73mm cups)
8001-C	13		5KBK041	1	Cup splitter right
8001-C	14		5KBK040	1	Cup splitter left
8001-C	15		5MBK063	1	Connection plate cup splitter (70mm cups)
8001-C	15		5MBK086	1	Connection plate cup splitter (73mm cups)
8001-C	16		4BSC020	4	Screw 2,9x9,5 (stainless steel)
8001-C	17		4BSC022	2	Cutting screw 3.5x9.5
8001-C	18		5RVA018	1	Cup guide
8001-C	19		5KBK058	1	Cup guide holder <i>Added from S/N 201136.xxxxx.xxx</i>
8001-C	20	SW	5KBK043	1	Cup catcher (70mm cups)
8001-C	20	SW	5KBK051	1	Cup catcher (73mm cups)
8001-C	21		5MBK100-RAL	1	Protection plate cup splitter
8001-C	22		4BSC022	3	Cutting screw 3.5x9.5
8001-C	23		5MBK084	1	Baseplate (70mm cups)
8001-C	23		5MBK085	1	Baseplate (73mm cups)
8001-C	24	SE	4BBK032	1	Bolt M4x10
8001-C	25		5MLG002	1	Bearing
8001-C	26		6BMB018	1	Axis
8001-C	27	SW	4EMT023	1	Motor 24VDC



<i>Drawing</i>	<i>Pos</i>	<i>S</i>	<i>Part Nr</i>	<i>Qty</i>	<i>Spare Part Description</i>
8001-C			6CKB279	1	Cable for cup dispenser motor (pos 27)
8001-C	28		4BBG015	1	Lock ring
8001-C	29		4BMZ011	1	Nut Lock M4
8001-C	30		5MLG002	1	Bearing
8001-C	31		5MBK062	1	Chain plate
8001-C	32	SE	4BBK032	1	Bolt M4x12
8001-C	33		5MDF022	1	Chain wheel
8001-C	34		4MVR012	1	Spring 5x0,7x34,5
8001-C	35	SW	4EMT023	1	Motor 24VDC
8001-C			6CKB466	1	Cable for spiral motor (pos 35)
8001-C	36		5MDF019	1	Axis transport spiral
8001-C	37		BR63	1	Upper sprocket
8001-C	38	SE	4BPN006	1	Clamping bush 2.5x12
8001-C	39		5MBK036	2	Spiral for cup transport
8001-C	40		4BPN018	2	Spring pin 1,6x10
8001-C	41		5MDF021	2	Bearing
8001-C	42		4BBG015	2	Lock ring
8001-C	43		5MDF022	2	Chain wheel
8001-C	44		5MKT001	1	Chain short, including link
8001-C	45		5MDF017	1	Coupling spiral
8001-C	46		5MDF016	1	Bearing
8001-C	47		4BBG017	1	Lock ring
8001-C	48		5MBK090- RAL	1	Protection plate chain
8001-C	49		4BMZ003	2	Nut M4
8001-C	50		5MBK037	1	Door plate
8001-C	51		5MHS018	1	Lock plate
8001-C	52		5MLG002	1	Bearing
8001-C	53		4BMZ011	1	Nut Lock M4
8001-C			6CKB466	1	Cable for spiral motor <i>connected to item 35</i>
8001-C			6CKB279	1	Cable for cup dispenser motor <i>connected to item 27</i>
HISTORY					
8001-C	21		5MBK083- RAL		Protection plate cup splitter <i>Replaced by 5MBK100 from S/N 201136.xxxxx.xxx</i>













- Part numbers marked with "SE" are Service parts Engineer stock
- Part numbers marked with "SW" are Service parts Warehouse stock
- Part numbers marked with "n/a" are Not Available as spare part
- De Jong Duke recommends to have service parts available on local stock or car stock.



Drawing	Pos	S	Part Nr	Qty	Spare Part Description
8102-C		SW	6VUL056	1	Complete outlet mechanism assembly
8102-C	01		5MBK022	1	Upper plate outlet mechanism
8102-C	02		4BBK003		Bolt M4x8
8102-C	03	SE	4KLG012	2	Bearing
8102-C	04		5MDF015	1	Main axis
8102-C	05		4BBK032		Bolt M4x12
8102-C	06		5MBK068	1	Frame
8102-C	07		4BBK003		Bolt M4x8
8102-C	08		5KLG006	1	Bearing
8102-C	09		6VUL054	1	Axis
8102-C	10		4KAB030	1	Distance holder 11,2x18x6
8102-C	11	SE	4EMT023	1	Motor 24VDC
8102-C	12		4BKL025		Pushpin
8102-C	13	SE	6VUL061	1	Arm outlet mechanism
8102-C	14		4BMZ037	2	Lock nut M4
8102-C	15		5MBK073	1	Dispense arm 9CEC (CoEx)
8102-C	16	SE	5KVL041	5	Clamb ring outlet pipe
8102-C	17		4BBK003		Bolt M4x8 Stainless Steel
8102-C	18		5MBK066	1	Cover plate
8102-C	19		6CKB278	1	Cable for motor outlet mechanism (pos 11)
HISTORY					
8102-C	03	SE	4KLG009	2	Bearing <i>Replaced by 4KLG012 from S/N 2012.14.xxxxx.xxx Replace together with item 13</i>
8102-C	13	SE	6VUL055	1	Arm outlet mechanism <i>Replaced by 6VUL061 from S/N 2012.14.xxxxx.xxx Replace together with item 3</i>




- Part numbers marked with "SE" are Service parts Engineer stock
- Part numbers marked with "SW" are Service parts Warehouse stock
- Part numbers marked with "n/a" are Not Available as spare part
- De Jong Duke recommends to have service parts available on local (SW) or car (SE) stock.

Tool List General


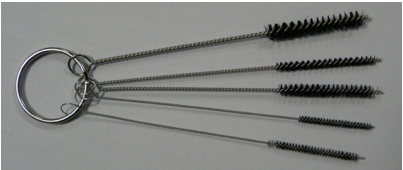



Picture	Part Nr	Description
 	n/a	EN Flat screwdriver
		DE Schlitz Schraubendreher
		NL Platte schroevendraaier
		0.5 / 3.0 / 10 mm
		0.8 / 4.0 / 20 mm
 	n/a	EN Philips screwdriver
		DE Kreuzschlitzschraubendreher
		NL Kruiskop schroevendraaier
		3.5 / 10 mm
 	n/a	EN Torx screwdriver
		DE Torx Schraubendreher
		NL Torx schroevendraaier
		Torx 15, 22 mm
 	n/a	EN Socket screwdriver
		DE Steck Schlüsseldreher
		NL Dopsleutel
		07 / 15 mm
	n/a	EN Combination plier
		DE Kombinations-Zange
		NL Combinatietang
	n/a	EN Slip Joint Plier
		DE Wasserpumpen-Zange
		NL Waterpomptang
	n/a	EN Side Cutter
		DE Seiten Schneider
		NL Zijknijptang
	n/a	EN Knife
		DE Stanley Messer
		NL Stanleymes

Picture	Part Nr	Description	
	n/a	EN	Multimeter
		DE	Multimeter
		NL	Multimeter
	4HLP148	EN	Tube cutter
		DE	Schlauch abschneider
		NL	Slangknipper voor drukslang
	4HLP142	EN	Extraction tool <i>Mini Fit JR, 011030044</i>
		DE	Demontage Werkzeug <i>Mini Fit JR, 011030044</i>
		NL	Extraction tool <i>Mini Fit JR, 011030044</i>
	n/a	EN	Unlocking tool <i>John Guest ICLT/2</i>
		DE	Spann- und Lösehilfe <i>John Guest ICLT/2</i>
		NL	Slang-ontkoppel-set <i>John Guest ICLT/2</i>
	n/a	EN	Electrostatic discharge (ESD) wrist strap
		DE	Electrostatische Entladungen (ESD) Handgelenkband
		NL	Elektrostatische ontlading (ESD) polsband

Tool List for machines with UNI-brewer

Picture	Part Nr	Description	
	n/a	EN	Spanner Wrench
		DE	Ring-Maulschlüssel
		NL	Steeksleutel
			7 mm / 13 mm / 15 mm
	n/a	EN	Punch
		DE	Splinttreiber
		NL	Drevel
			3 mm
			5 mm
	n/a	EN	Torgue wrench / screwdriver 1,8N/m
		DE	Torgue Schraubenschlüssel / Schraubendreher 1,8 N/m
		NL	Moment sleutel / schroevendraaier 1,8 N/m

Tool List for machines with CoEx (XL) brewers

Picture	Part Nr	Description	
	4HLP132	EN	Filter head cleaner
		DE	Filter Kopf Putzer
		NL	Filterkop reiniger
	4HLP143	EN	CoEx outlet cleaner brush
		DE	CoEx Ausgabe Reinigungsbürste
		NL	CoEx uitgifte reinigingsborstel
	4HLP157	EN	Spanner wrench 14mm <i>Modified for sensor cable</i>
		DE	Schlüssel 14mm <i>Für Sensorkabel modifiziert</i>
		NL	Ringsleutel 14mm <i>Aangepast voor sensor kabel</i>
	n/a	EN	Allen Wrench / Hex key 5 mm <i>For new banjo bolts</i>
		DE	Innensechkant-schlüssel 5 mm <i>Für neue Banjobolzen</i>
		NL	Inbussleutel 5 mm <i>Voor nieuwe banjo bouten</i>
	9VDG001 9VDG002	EN	Pressure-gauge
		DE	Druckmesser
		NL	Manometer
			<i>Manometer 0-2 bar</i> <i>Manometer 0-16 bar</i>

Disclaimer Manufacturer

Although this manual has been put together with the utmost care, J.M. de Jong DUKE automatenfabriek b.v. accepts no liability for inaccuracies or omissions. No liability is accepted for the consequences arising from operation of the equipment in accordance with the information contained in this manual.

J.M. de Jong DUKE automatenfabriek b.v. reserves the right to alter specifications at any time and without prior notification to the purchaser.

All rights reserved.

Copyright

J.M. de Jong DUKE automatenfabriek b.v. © 2022

The contents of this manual are copyrighted. Texts, images, and source files may only be used for professional purposes.





No part of this guide may be reused, modified, or published without the prior written permission of the manufacturer.

Printing pages is allowed only for professional use.

Manufacturer






De Jong DUKE
Postbus 190
3360 AD SLIEDRECHT
The Netherlands

 +31 (0)184 209 767 (sales)
 +31 (0)184 209 609 (support)
 www.dejongduke.nl
 spareparts@dejongduke.nl
 support@dejongduke.nl



De Jong DUKE North America
12680 Delta Street
Taylor, MI, 48180
U.S.A.

 +1 734 403 1708
 www.dejongduke.com
 support@dejongduke.com

